

Installation instructions for KZNG5-02333-00
Under Run Protective Shield Engine Bay

LEXUS LS



Model Year:	LS 460 AWD - 2012	LS 460L AWD - 2012	LS 600h L - 2006 - 2012 -
Vehicle Code:	USF45L-AEZGHW	USF46L-AEZGHW	UVF46L-AEXGHW
Part Number:			KZNG5-02333-00



Weight:

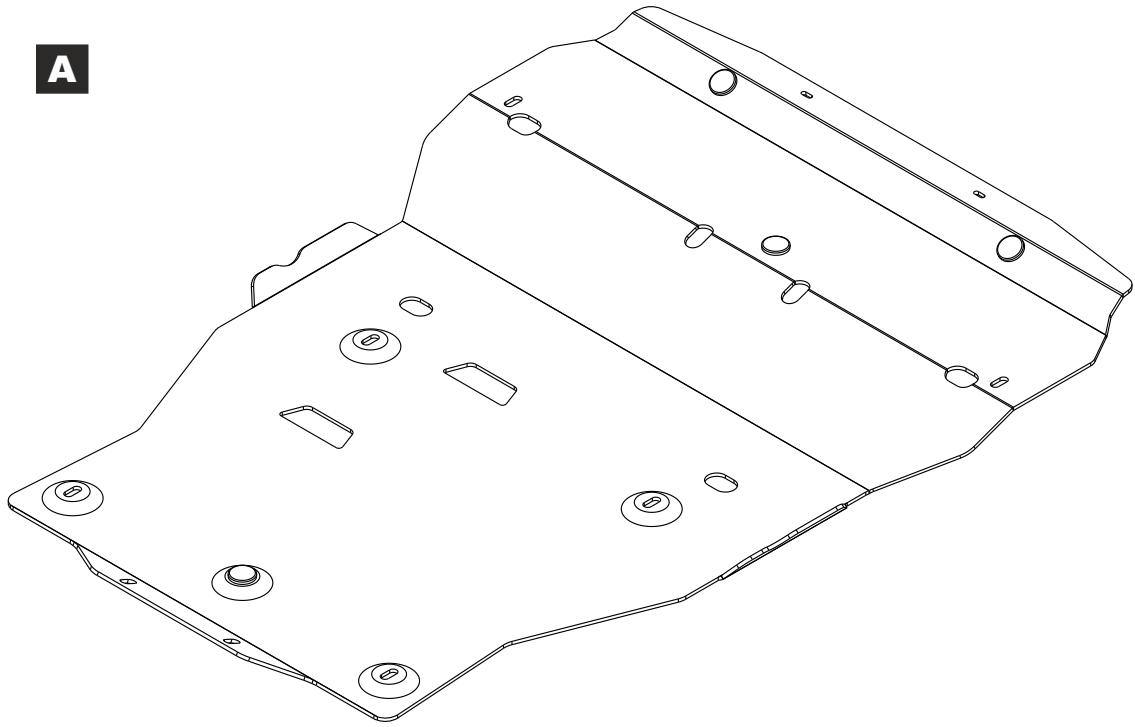
14,59 kg



Installation Time:

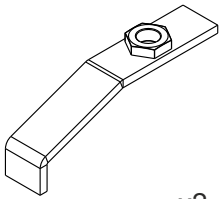
45 min

A



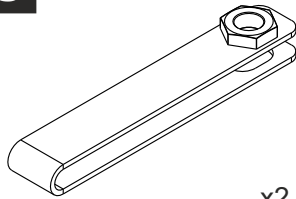
KZNG5-02333-60

B



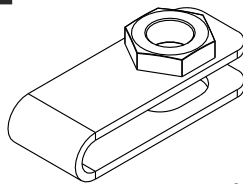
x2

C



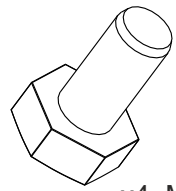
x2

D



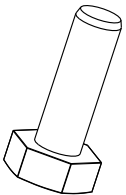
x2

E1



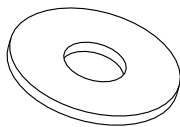
x4 M10x30

E2



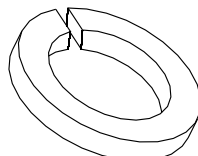
x2 M10x110

F

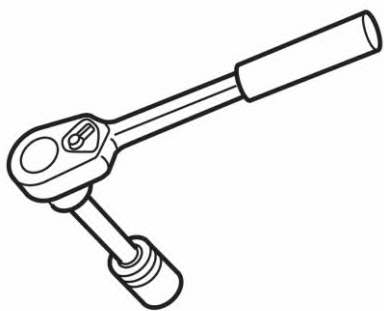


x6 $\varnothing 10$

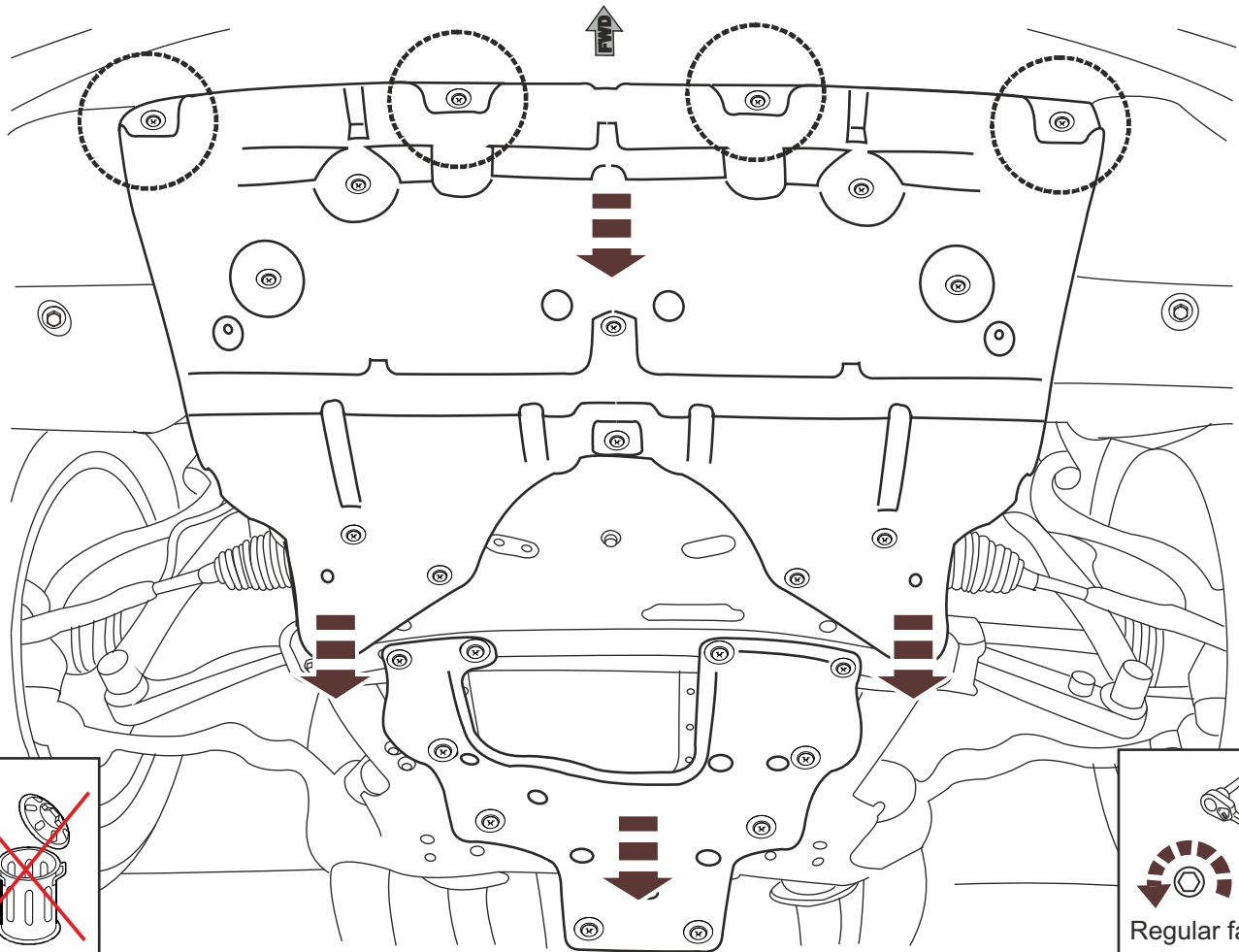
G



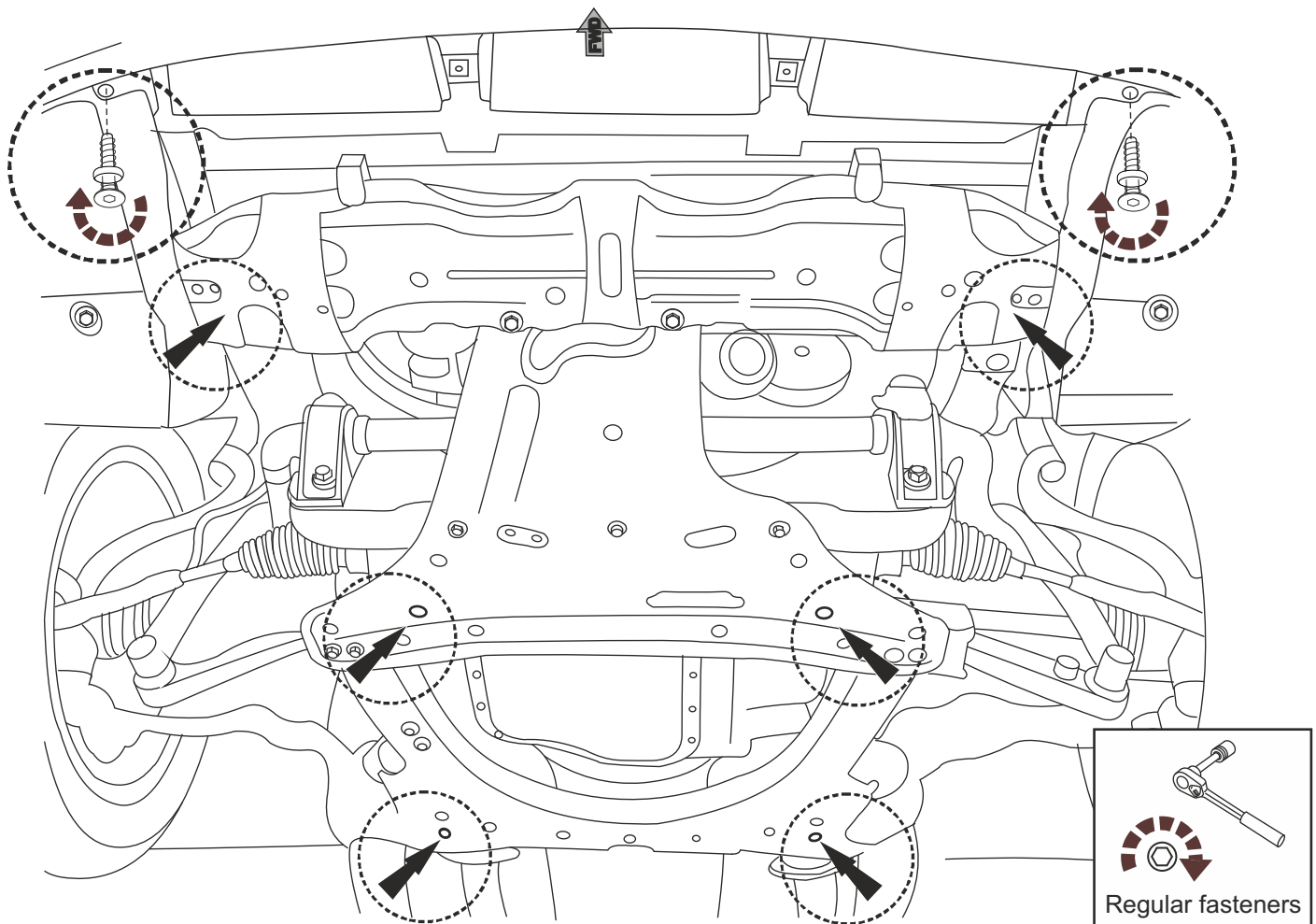
x6 $\varnothing 10G$



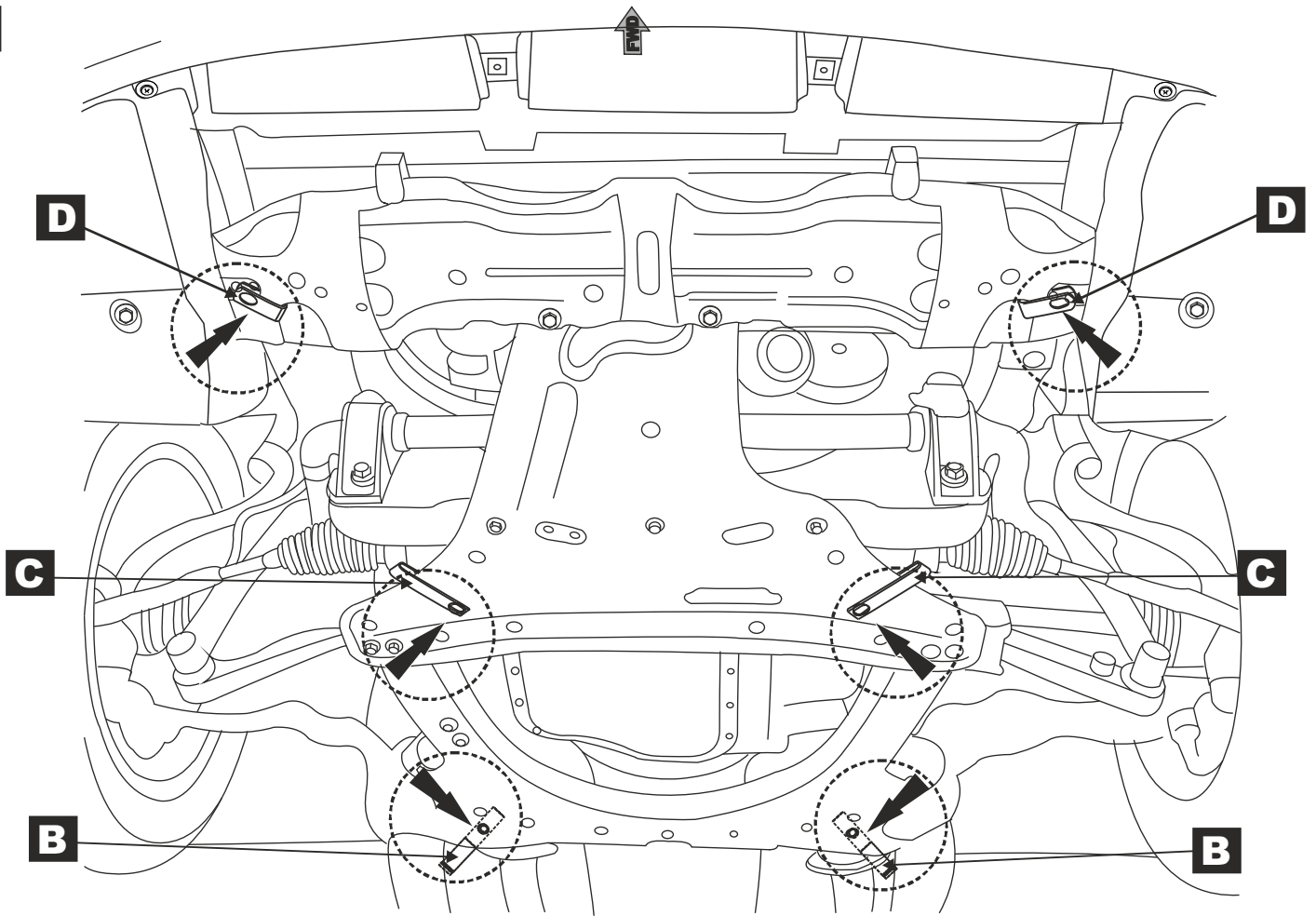
1



2



3



4

