

Installation instructions for KZNG5-02724-00, KZNG5-02725-00 Under Run Protective Shield Engine Bay and Transmission Case

LEXUS NX300h



Model Year: **2014 -**

Vehicle Code: **AYZ15L-AWXLBW**

Part Number: **Steel: KZNG5-02724-00
Aluminium: KZNG5-02725-00**



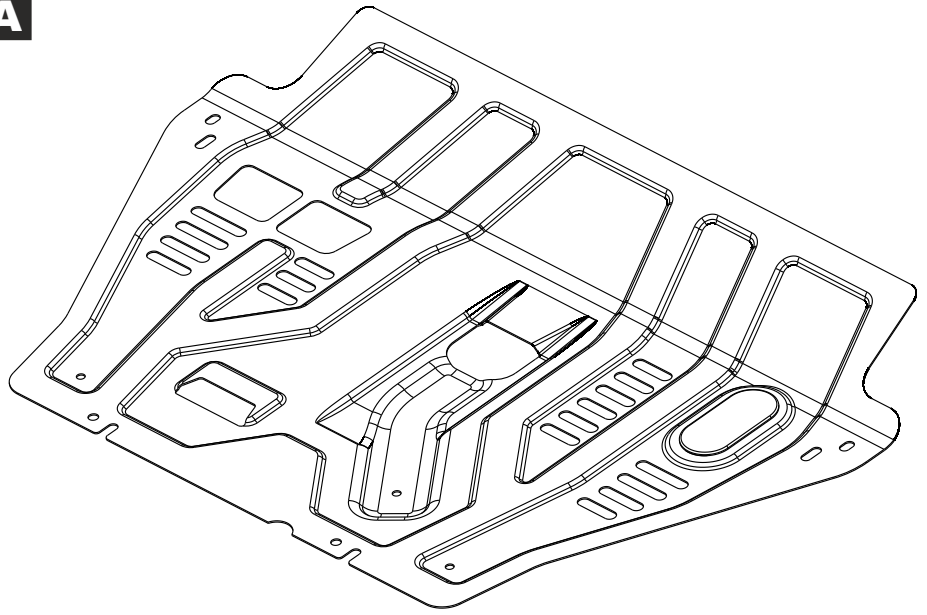
Weight: **Steel: 9,17 kg
Aluminium: 5,75 kg**



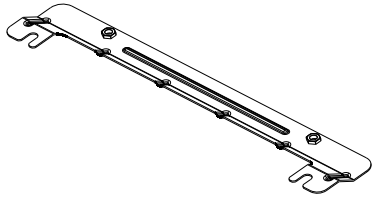
Installation Time: **30 min**

PZ4AL-02724-00, PZ4AL-02725-00

A



F



1x

1x

PZ4AL-02724-60

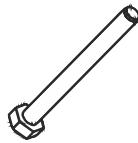
B1



M10x20

2x

B2



M10x100

2x

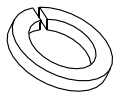
C1



Ø 10

4x

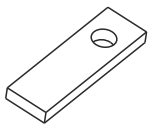
C2



Ø 10G

4x

D

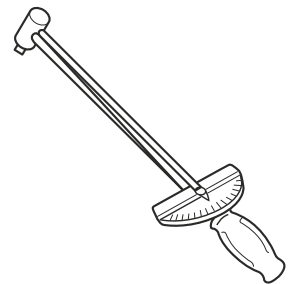
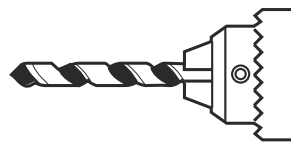
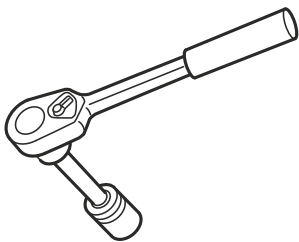


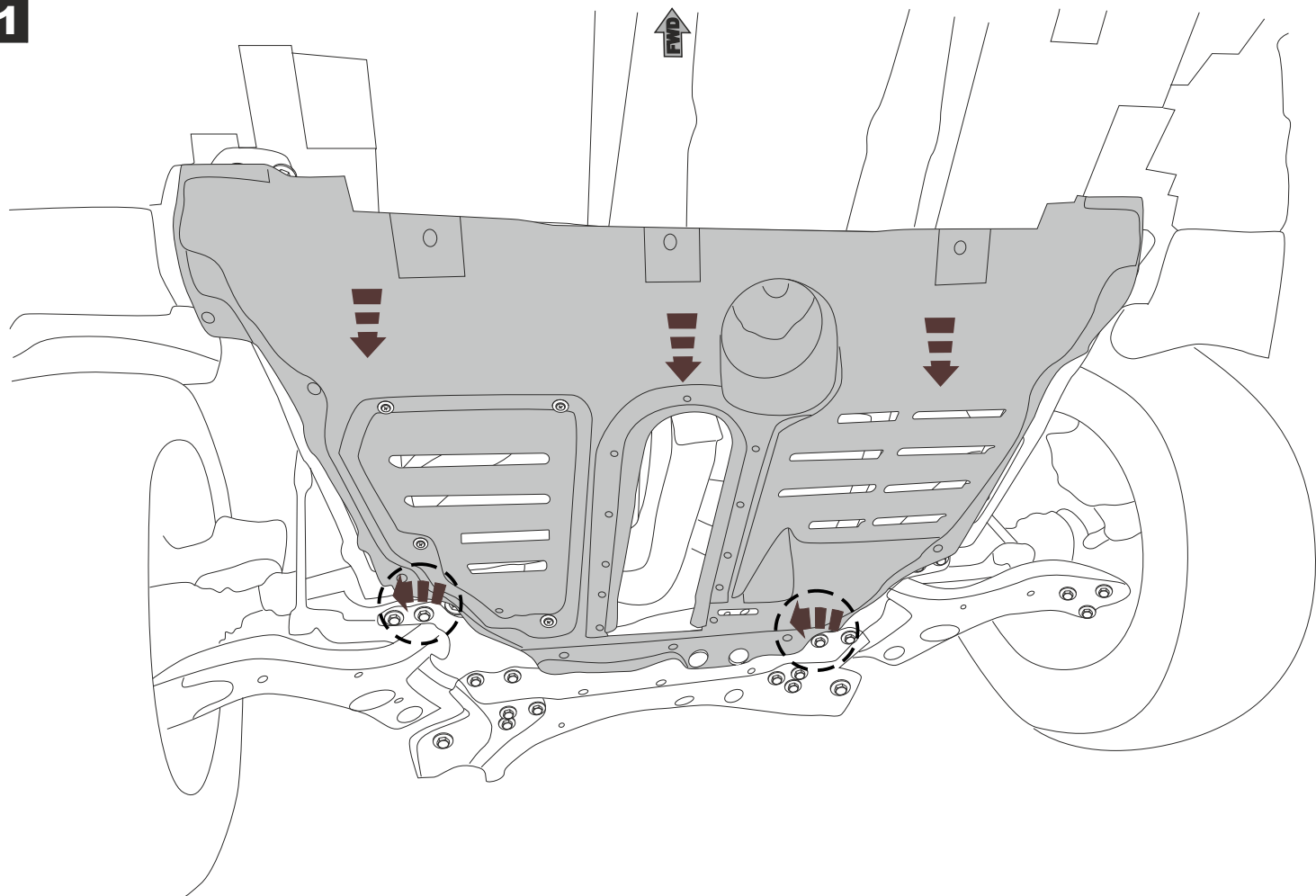
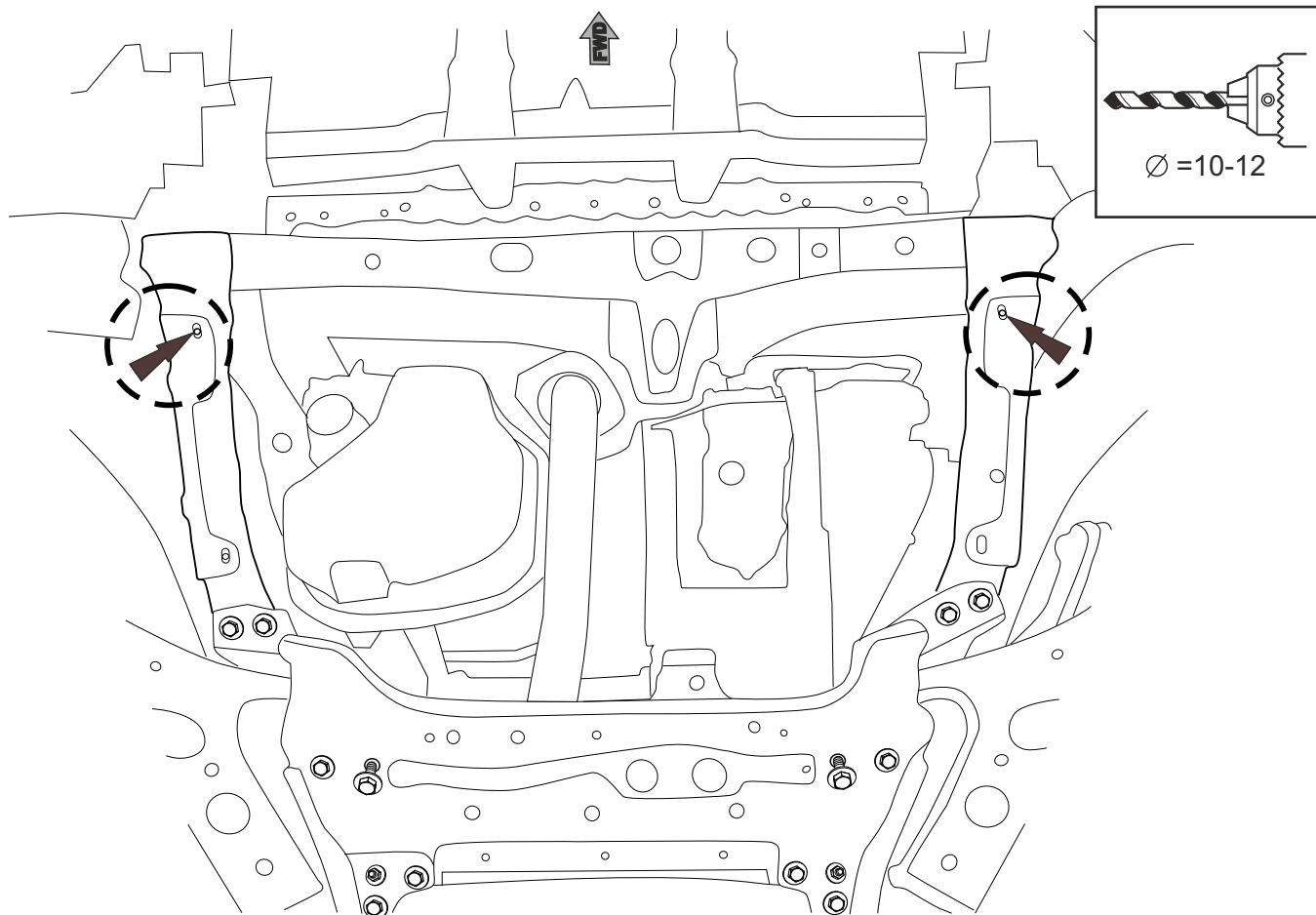
2x

E

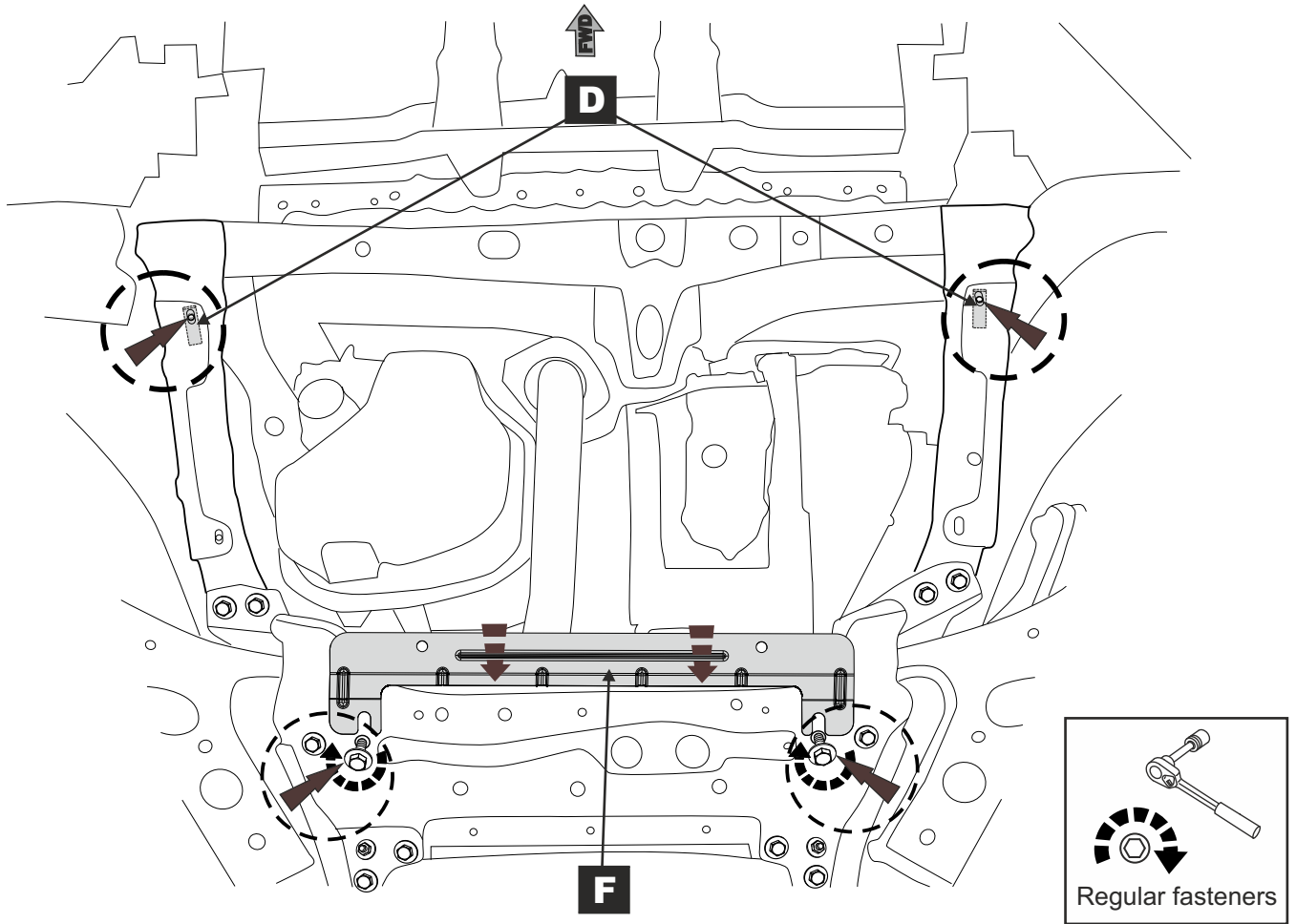


2x

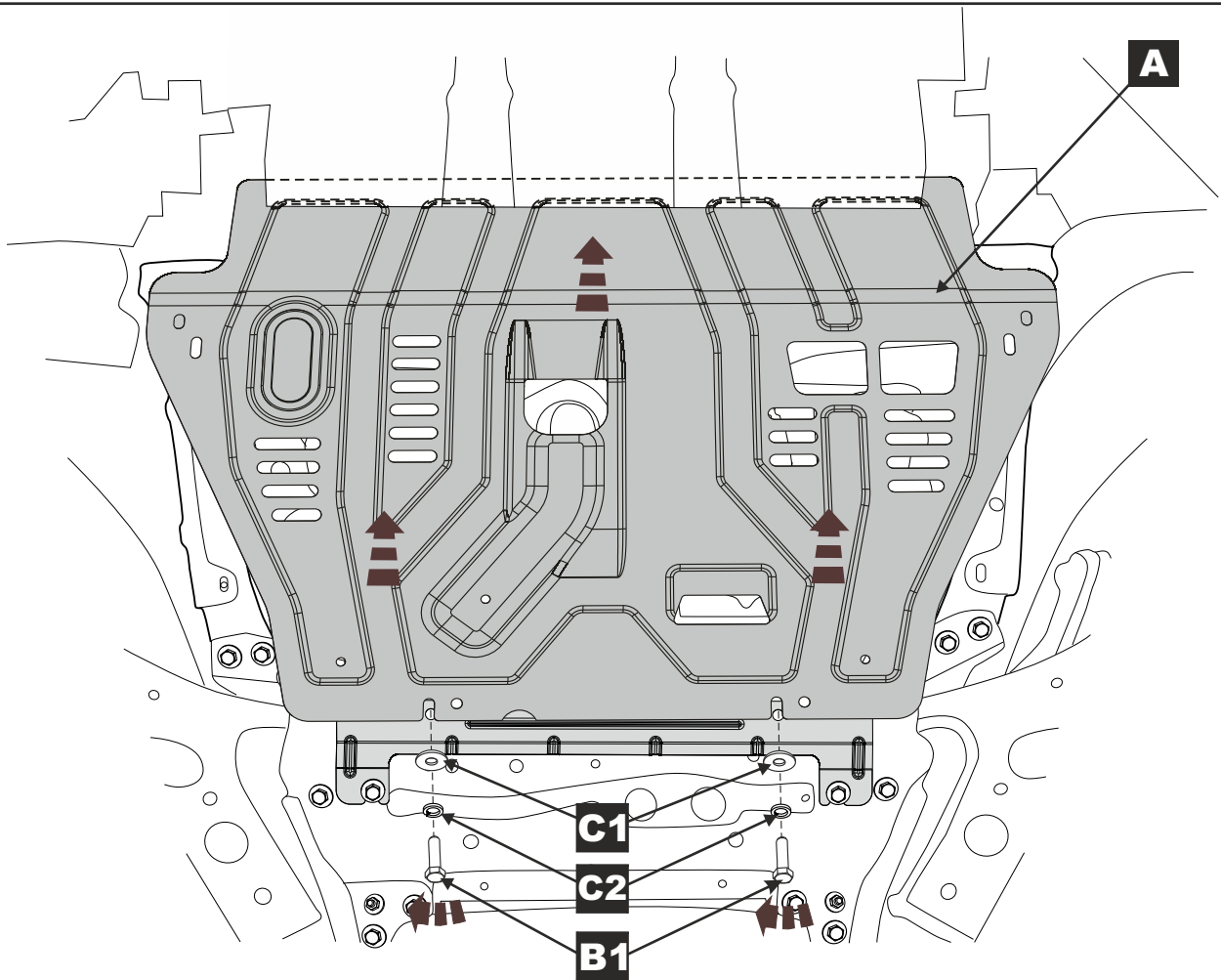


1**2**

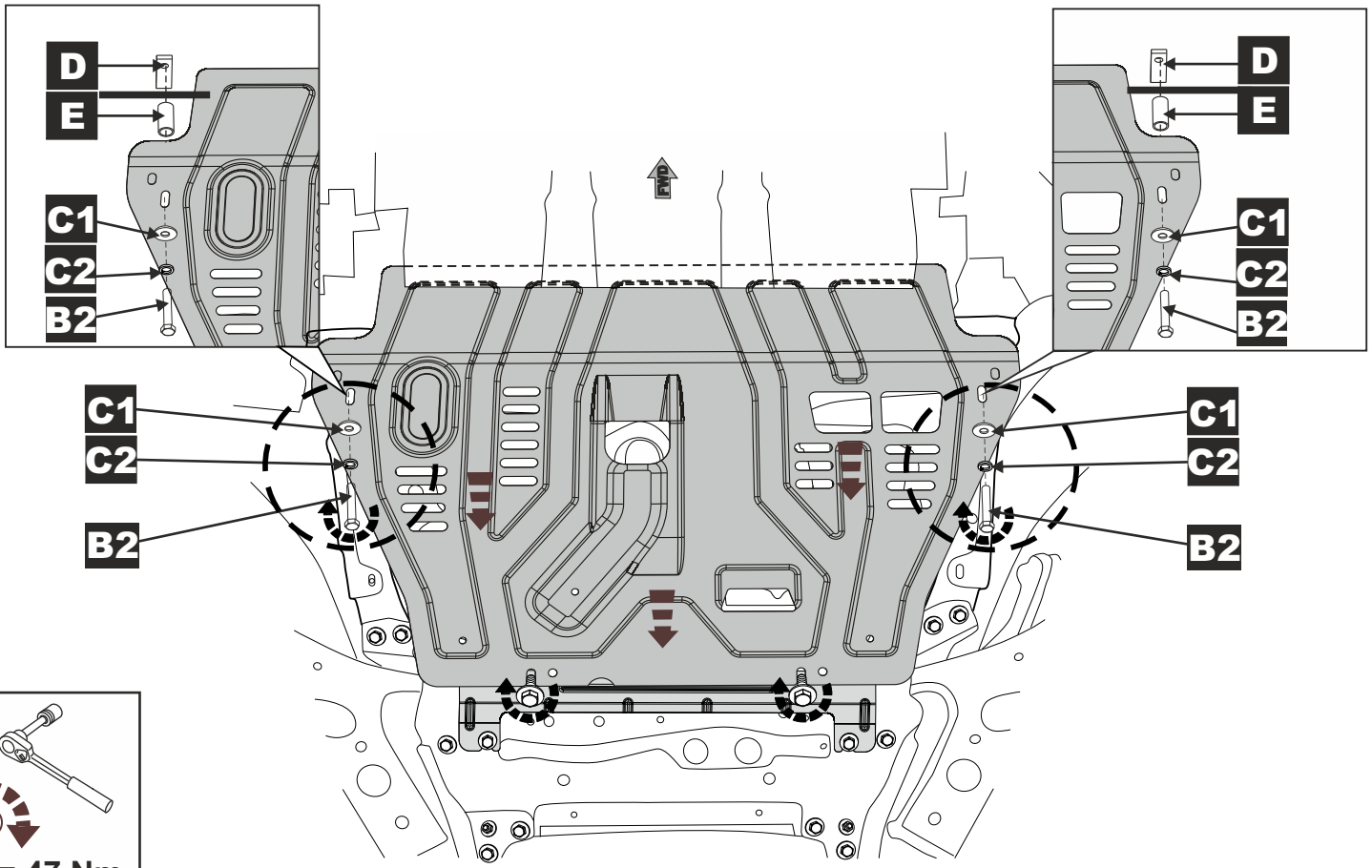
3



4



5



6

