

Installation instructions for KZNG5-03003-00
Under Run Protective Shield Engine Bay

TOYOTA LC 200

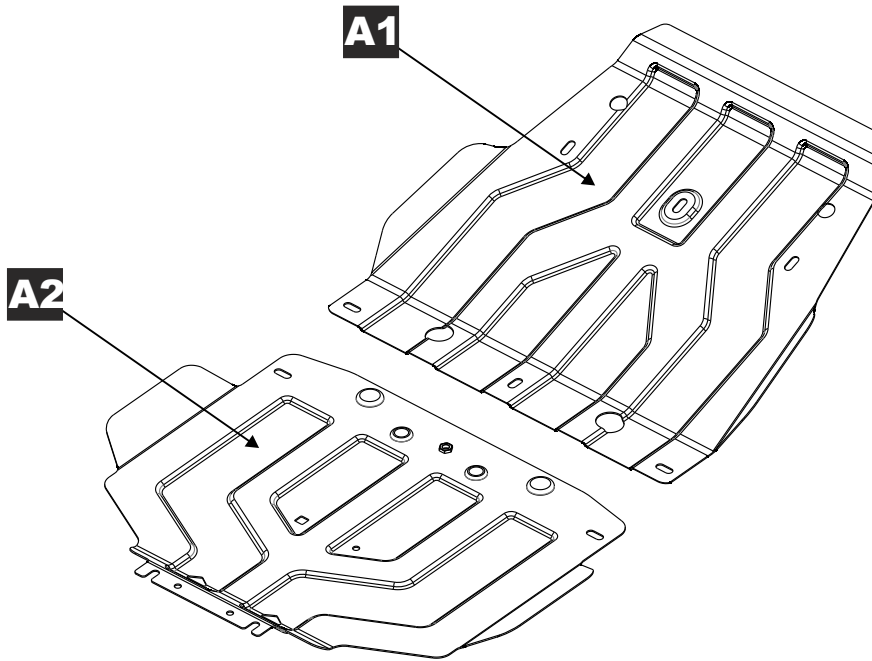


LEXUS LX



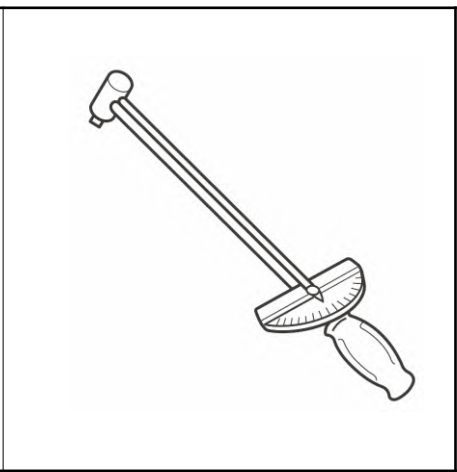
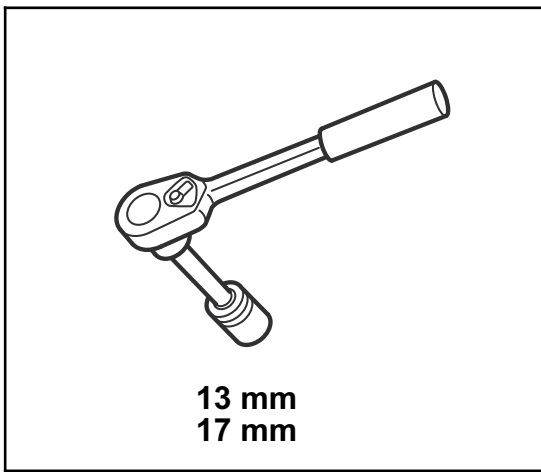
	LC 200	LX 570	LX 450d
Model year:	2015	2015	2015
Applicability:	VDJ200L-GMTVZW URJ202L-GMTEKW URJ202L-GNTVKW	URJ201L-GNZGKW	VDJ201L-GMTGZW
Part Number:	Steel: KZNG5-03003-00		
 Weight:	14.32 kg		
 Installation Time:	30 min		

KZNG5-03003-00

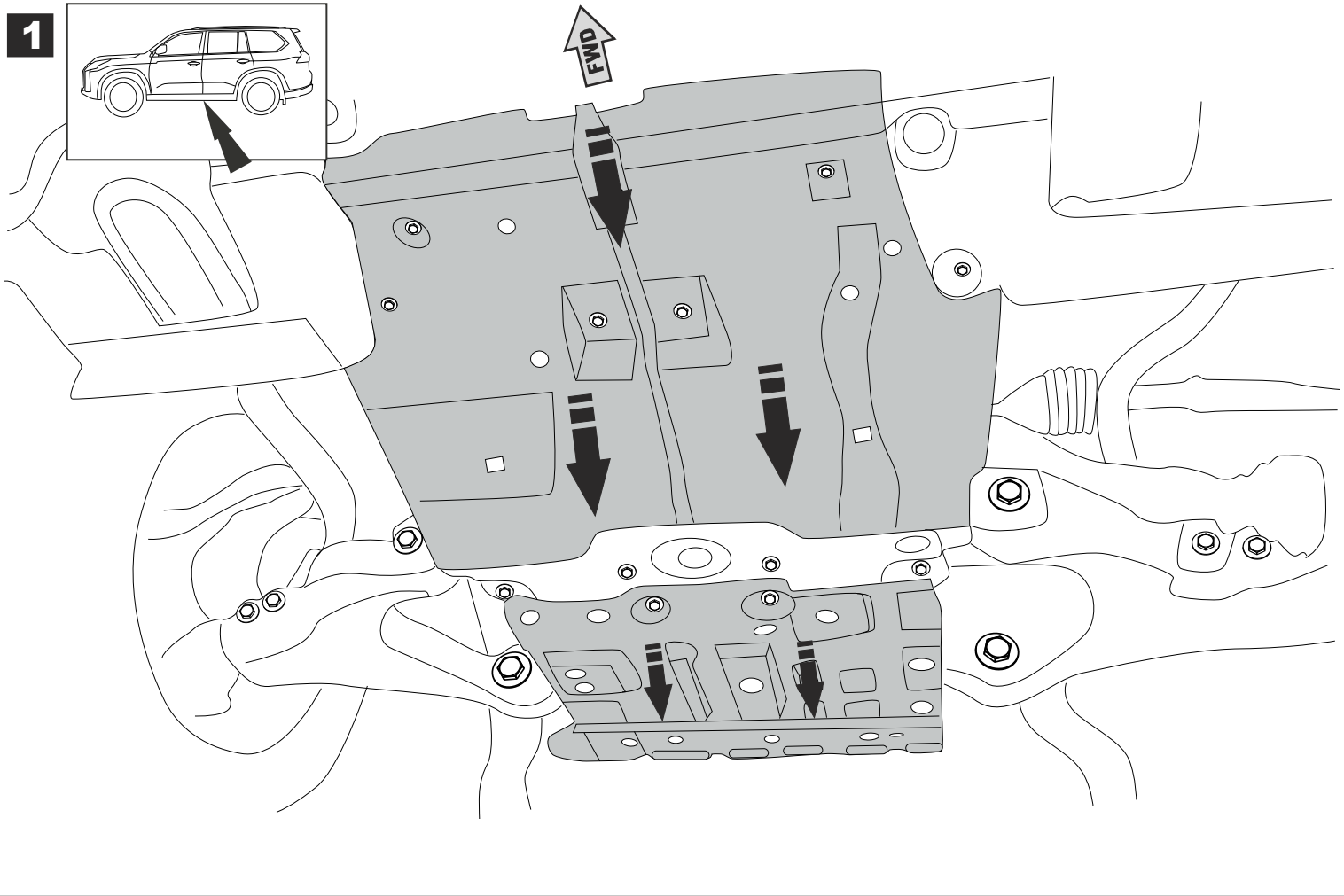


KZNG5-01870-60

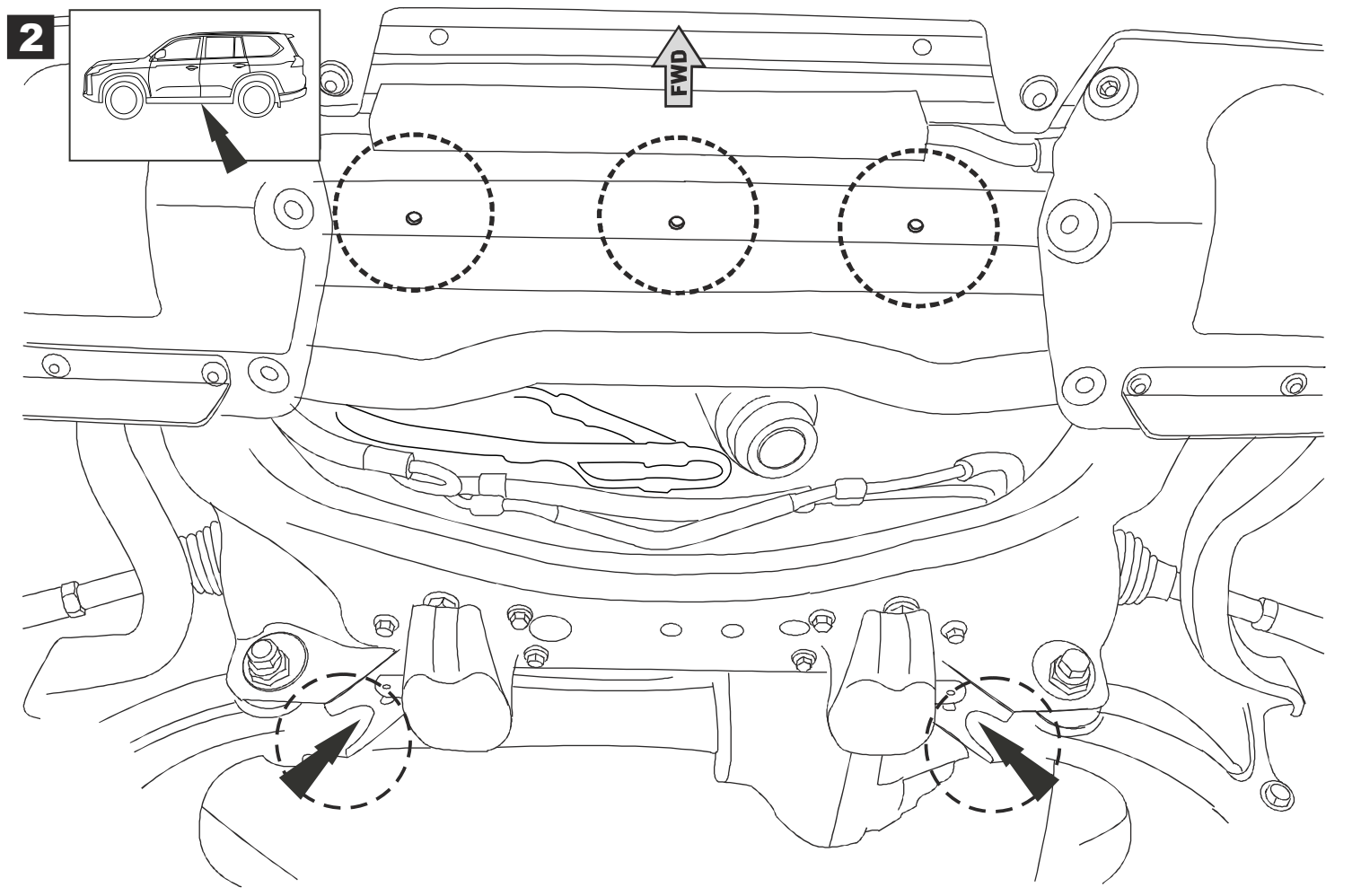
<p>B</p> <p>1x</p>	<p>C</p> <p>2x</p>	<p>D</p> <p>2x</p>	<p>E1</p> <p>M8x20</p> <p>2x</p>	<p>E2</p> <p>M10x20</p> <p>6x</p>	
<p>E3</p> <p>M10x30</p> <p>2x</p>	<p>E4</p> <p>M10x1,25x30</p> <p>2x</p>	<p>F1</p> <p>d=8</p> <p>2x</p>	<p>F2</p> <p>d=10</p> <p>10x</p>	<p>G1</p> <p>d=8</p> <p>2x</p>	<p>G2</p> <p>d=10</p> <p>10x</p>

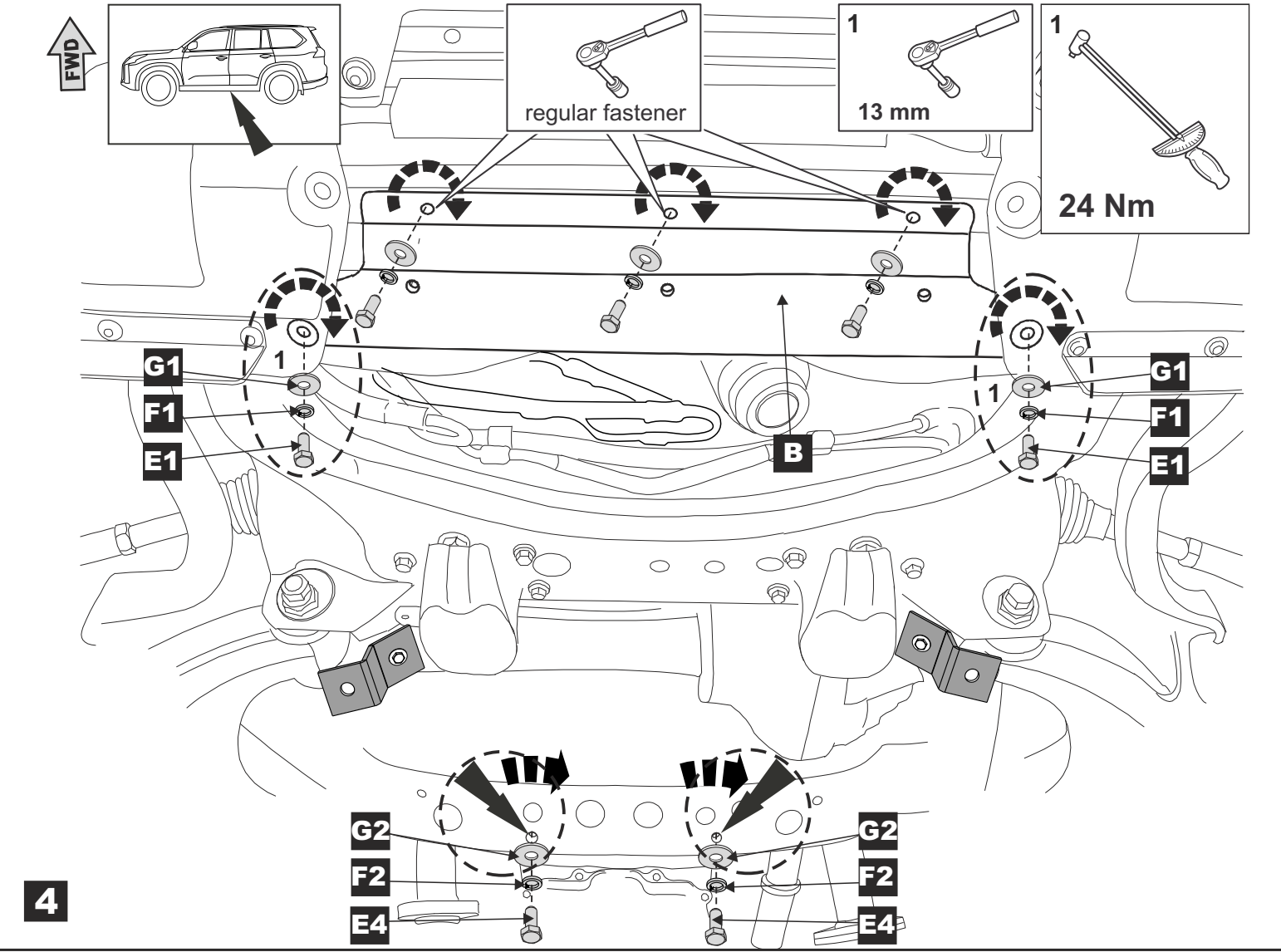
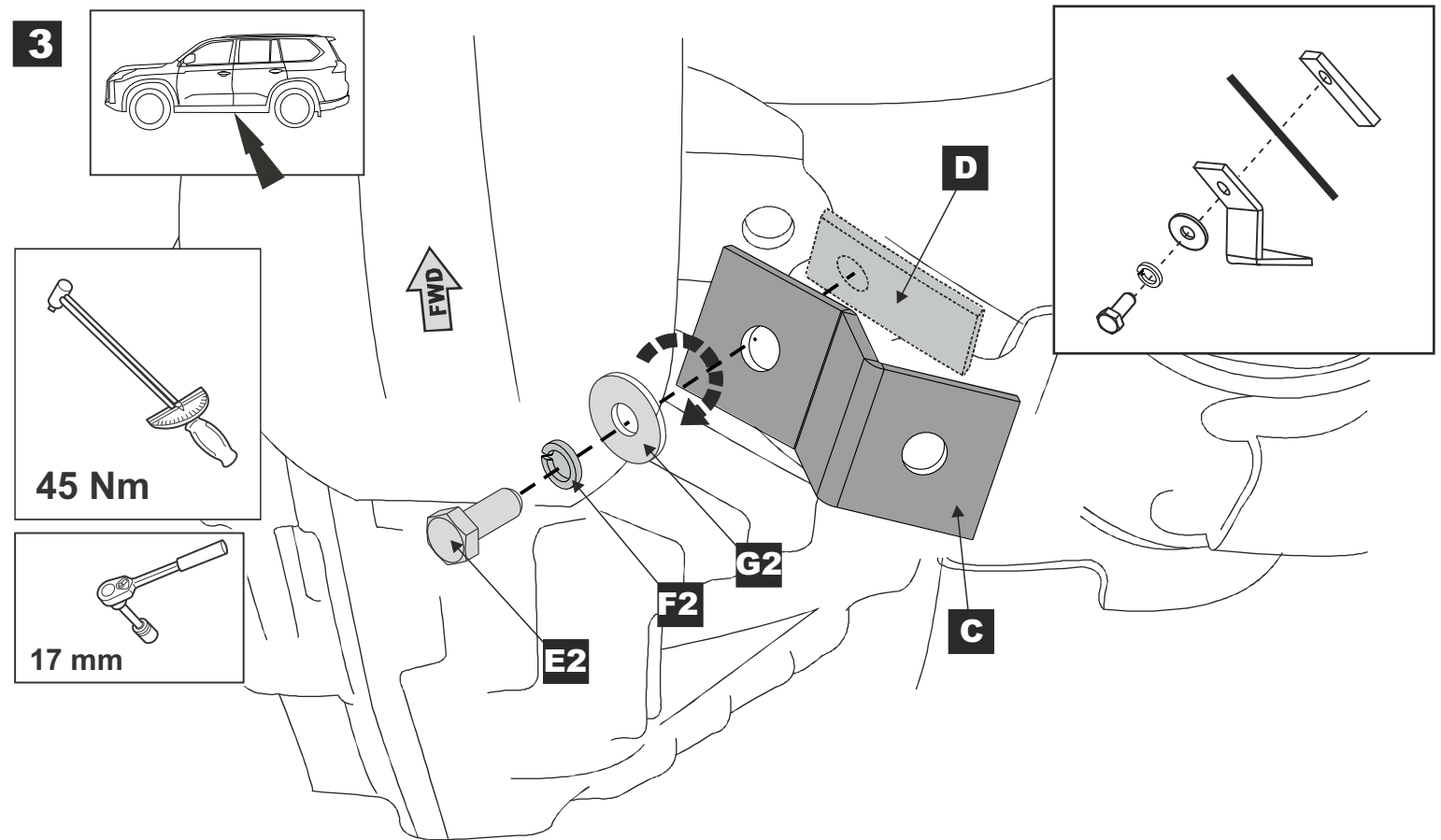


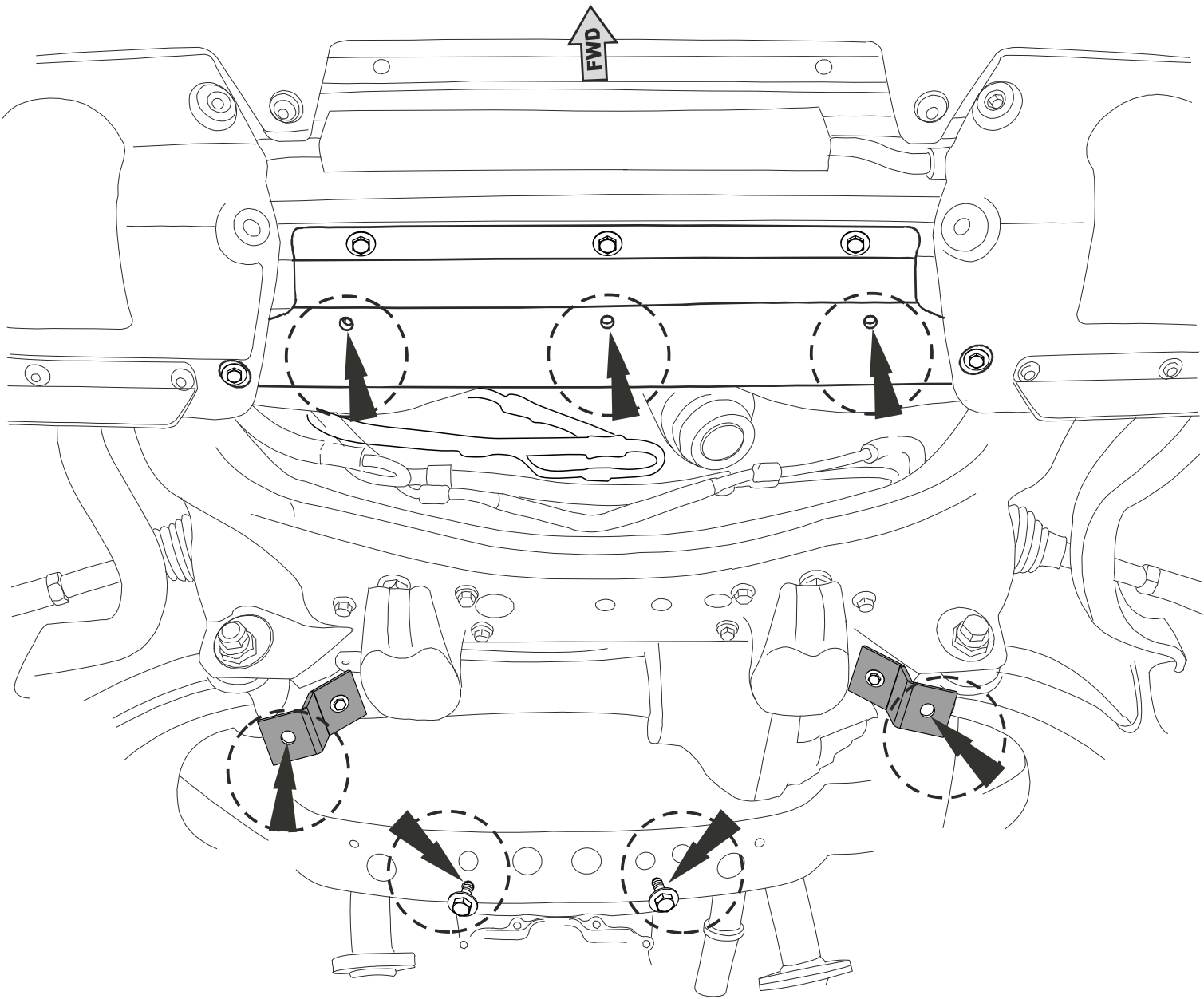
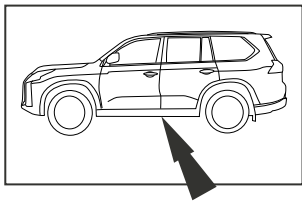
1



2

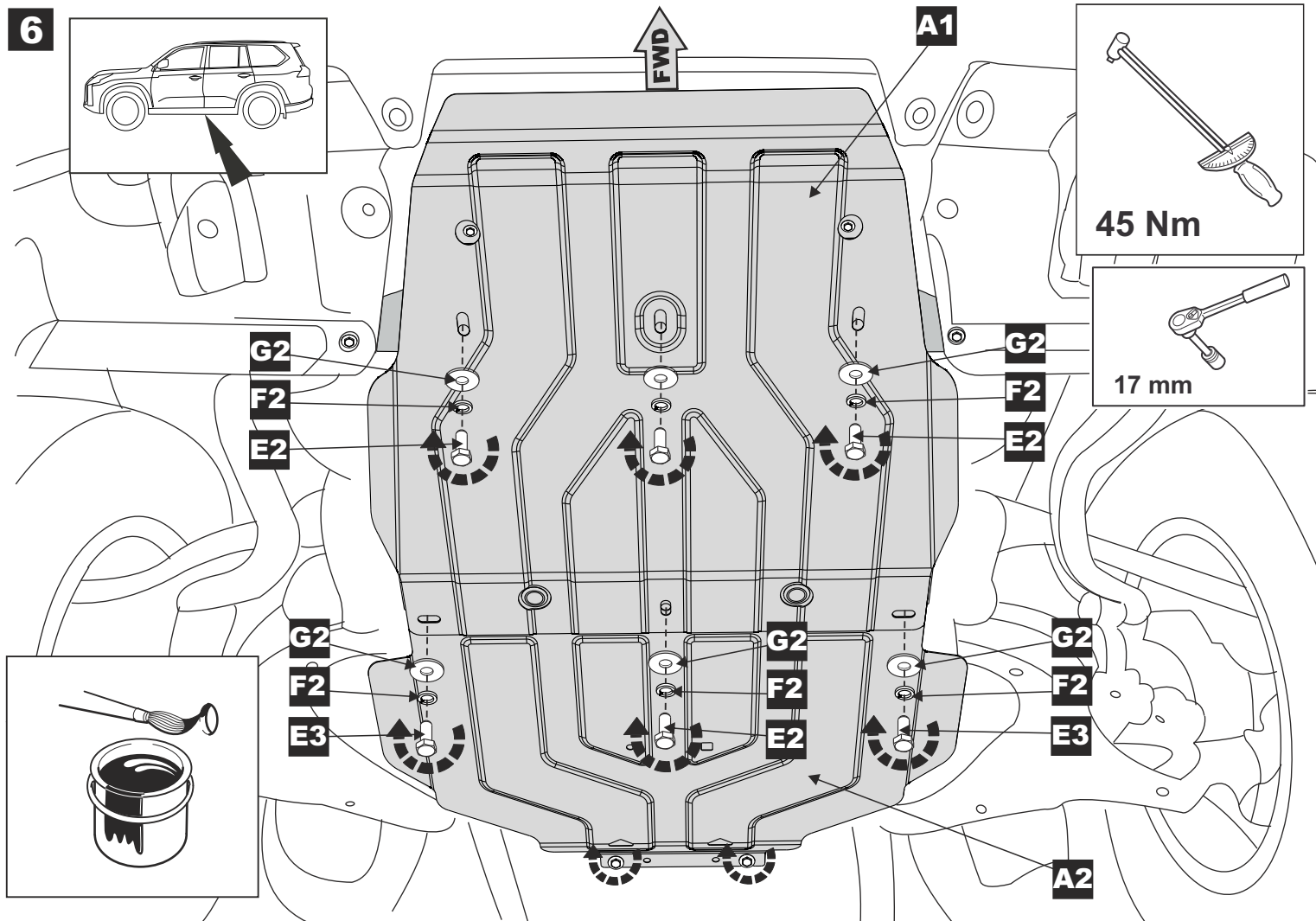






5

6



7

