



Installation instructions for KZNG5-2934-00, KZNG5-2935-00  
Under Run Protective Shield Transmission Case

# TOYOTA Hilux



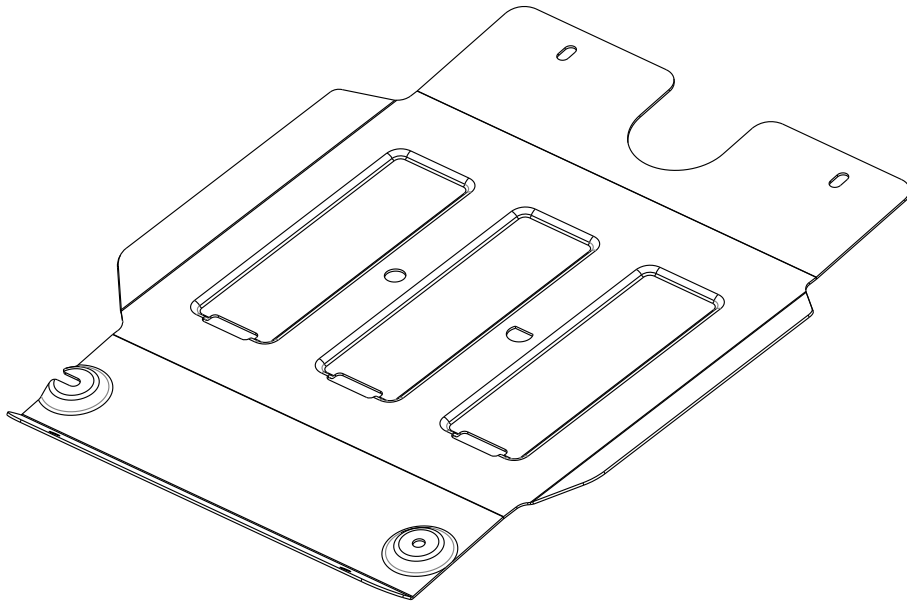
# TOYOTA Fortuner



|  | <b>Hilux</b>   | <b>Fortuner</b>  |
|--|--|--|
| Model year:  | <b>2015-</b>   | <b>2017-</b>   |
| Applicability:   | GUN125L-DTFSHW;<br>GUN125L-DTFMHW<br>GUN126L-DTTMHW;<br>GUN126L-DTTHHW | GUN156L-STTMH<br>GUN156L-STTSH<br>TGN156L-STTSKK<br>TGN156L-STMLKK |
| Part Number:   |  | Steel: KZNG5-2934-00<br>Aluminium: KZNG5-2935-00                   |
|  Weight:            |  | Steel: 7.95 kg<br>Aluminium: 4.46 kg                               |
|  Installation Time: |  | 15 min   |

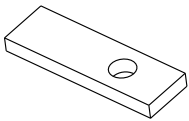
KZNG5-02934-00, KZNG5-02935-00

**A**



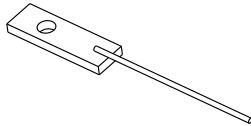
KZNG5-02934-60

**B**



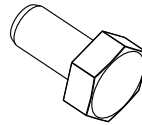
1x

**C**



1x

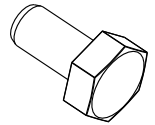
**D1**



M8x30

2x

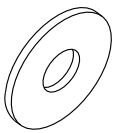
**D2**



M10x30

2x

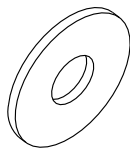
**E1**



d=8

2x

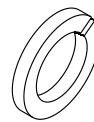
**E2**



d=10

2x

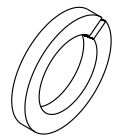
**F1**



d=8

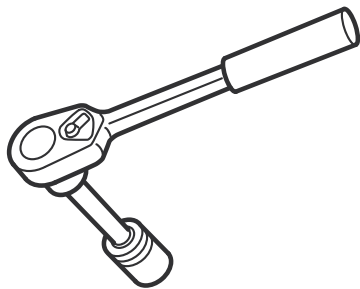
2x

**F2**



d=10

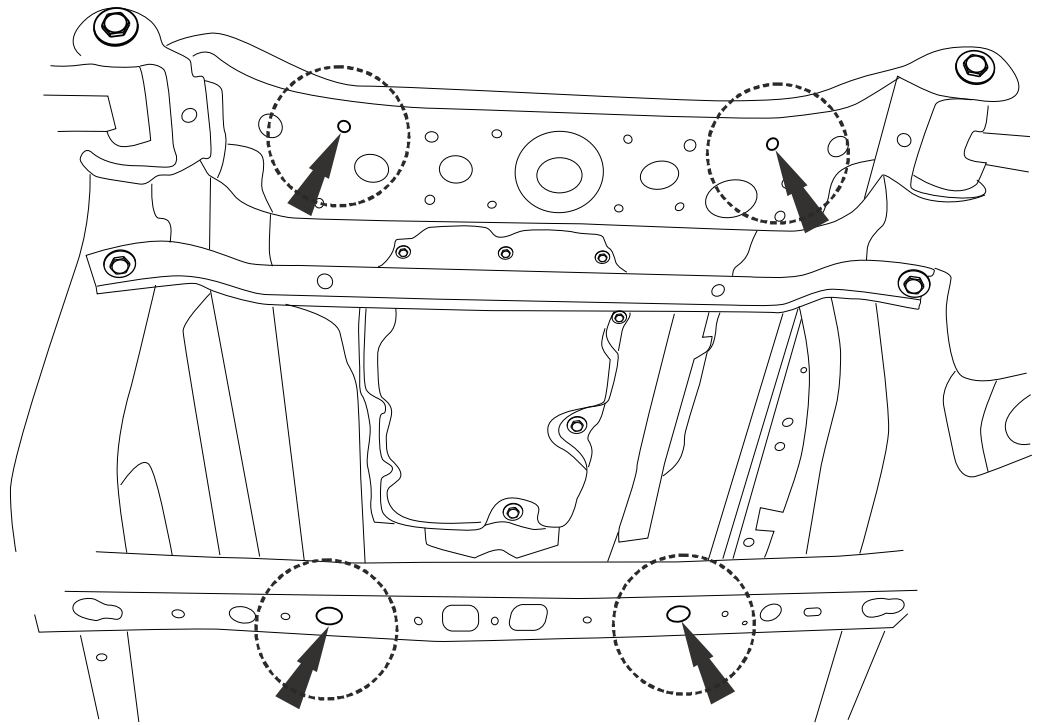
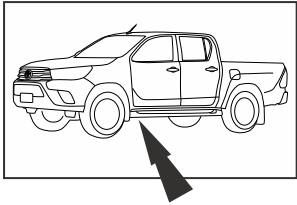
2x



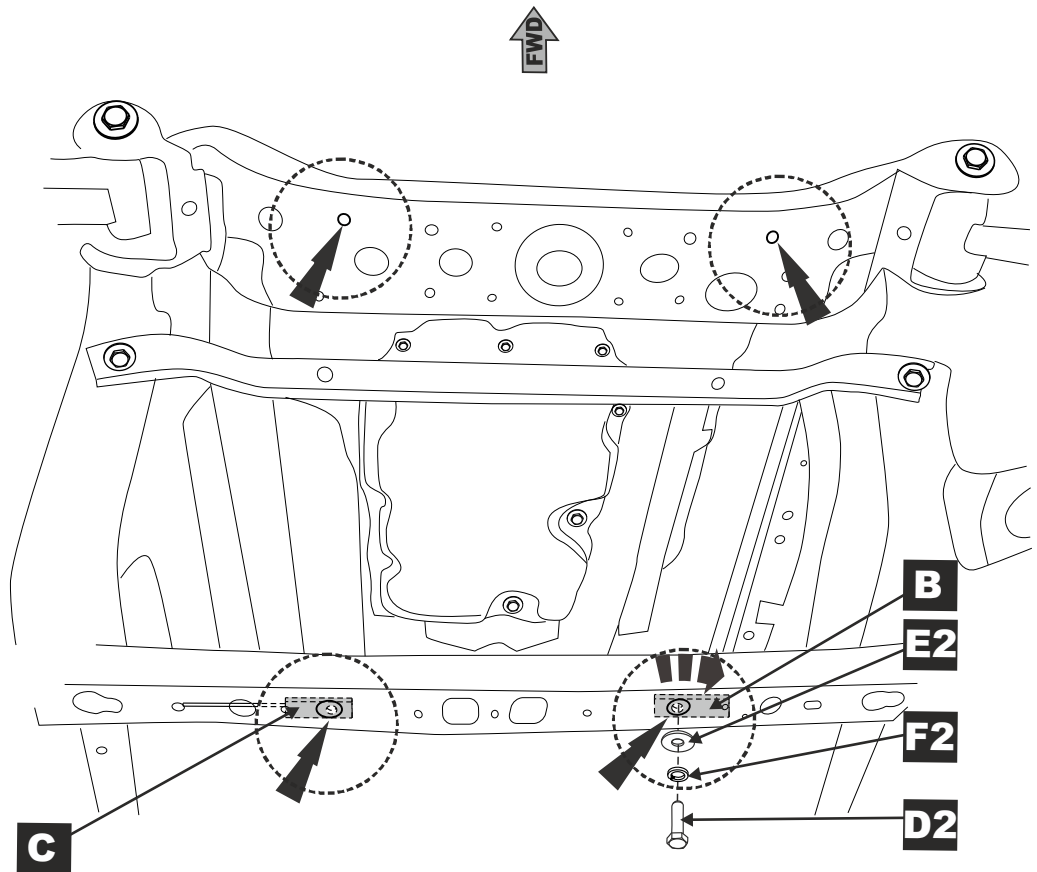
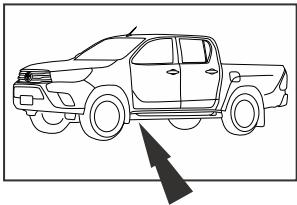
13 mm  
17 mm



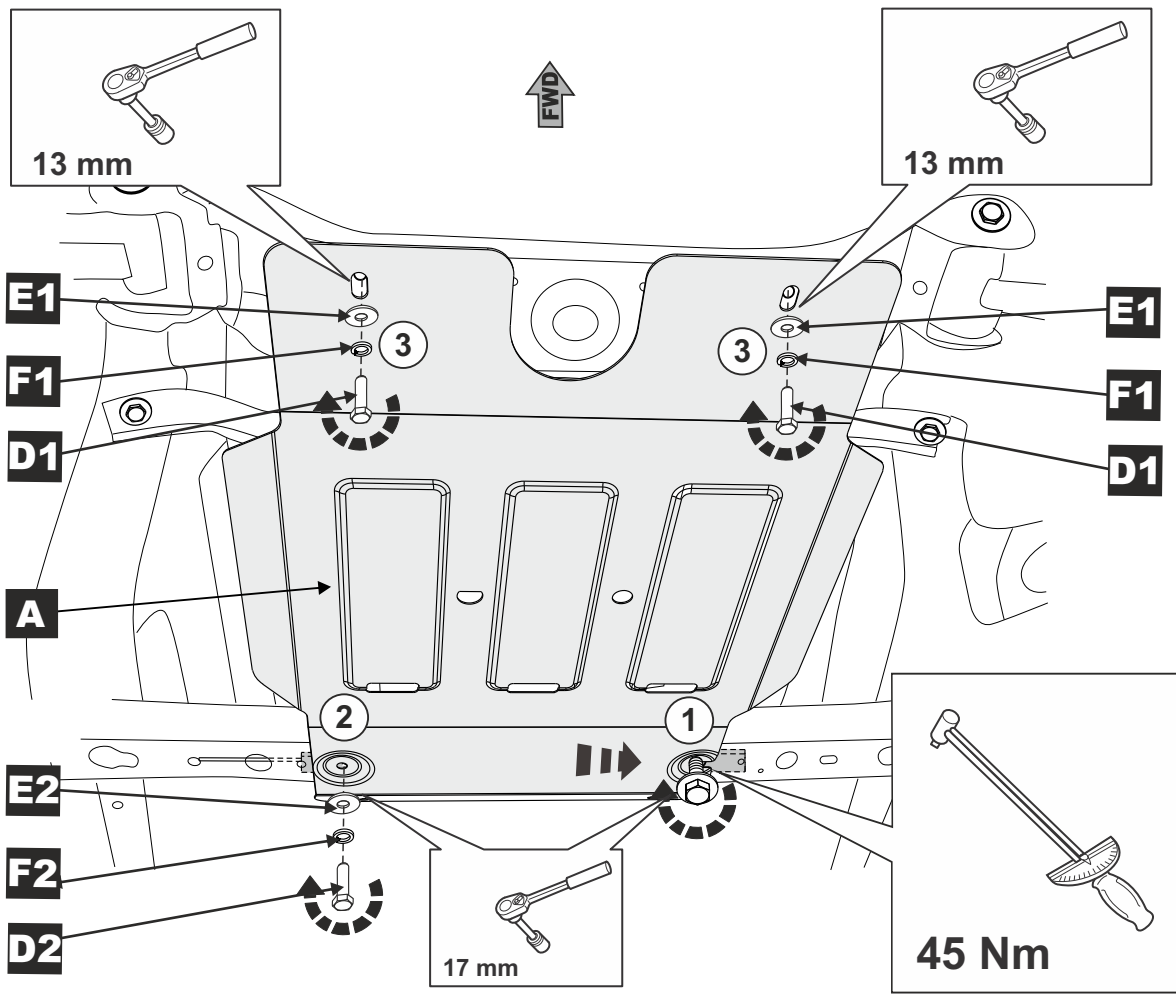
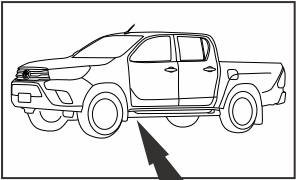
**1**



**2**



**3**



**4**

