

Installation instructions for KZNG5-01276-00  
Under Run Protective Shield Transmission Case

## LEXUS LX 570



## TOYOTA LAND CRUISER 200



Model Year      **LX 570 - 2010 - 2011**

**LC200 - 2007**

**LC200MC - 2012**

Vehicle Code      **URJ201L-GNTGKW**

**UZJ200L-GNAEKW  
VDJ200L-GNTEZW**

**URJ202L-GNTEKW  
VDJ200L-GNTEZW**

Part Number

Aluminium: KZNG5-01276-00



Weight

Aluminium: 6,5 kg



Installation Time

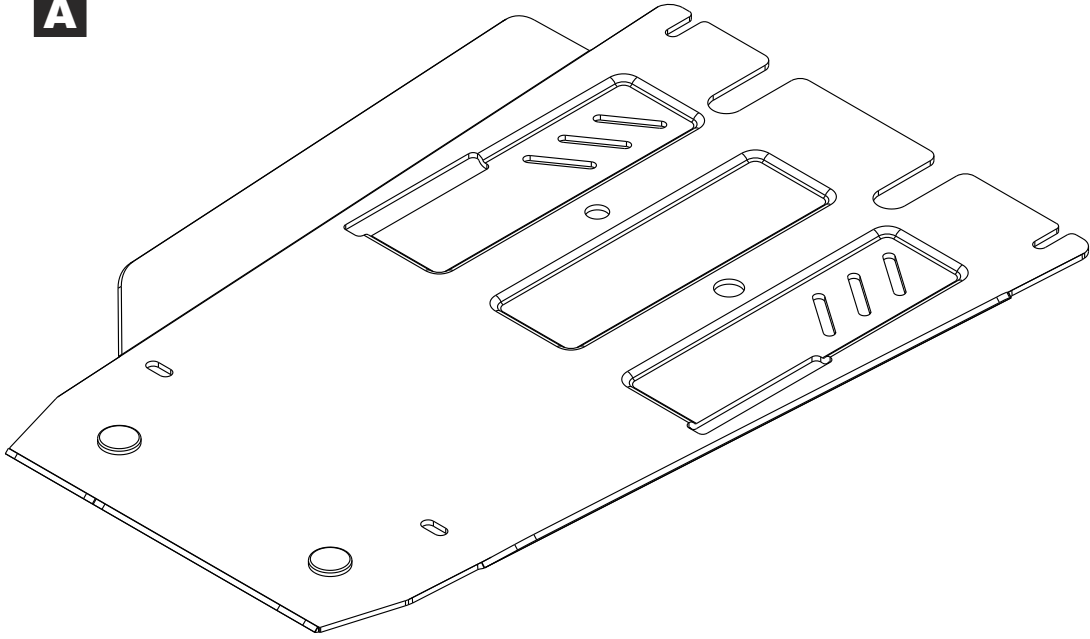
10 min

Manual reference number

AIM 001-098-1

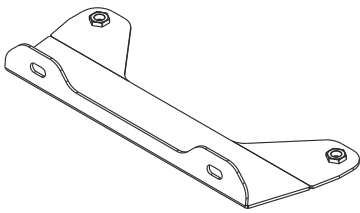
Part number: KZNG5-01276-00

**A**



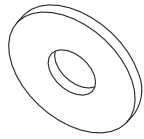
KZNG5-01276-60

**B**



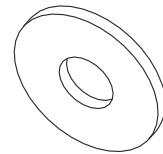
X1

**C1**



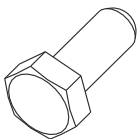
X2  $\varnothing$  8

**C2**



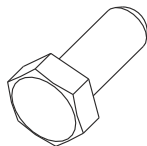
X2  $\varnothing$  10

**D1**

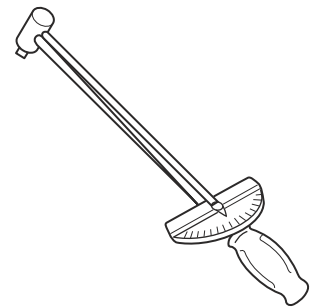
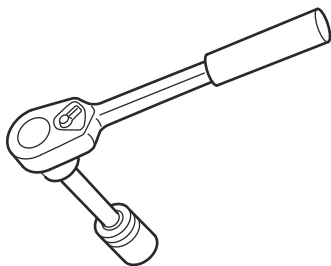


2 x M 8x20

**D2**



2 x M 10x30



Part number:  
KZNG5-01276-00

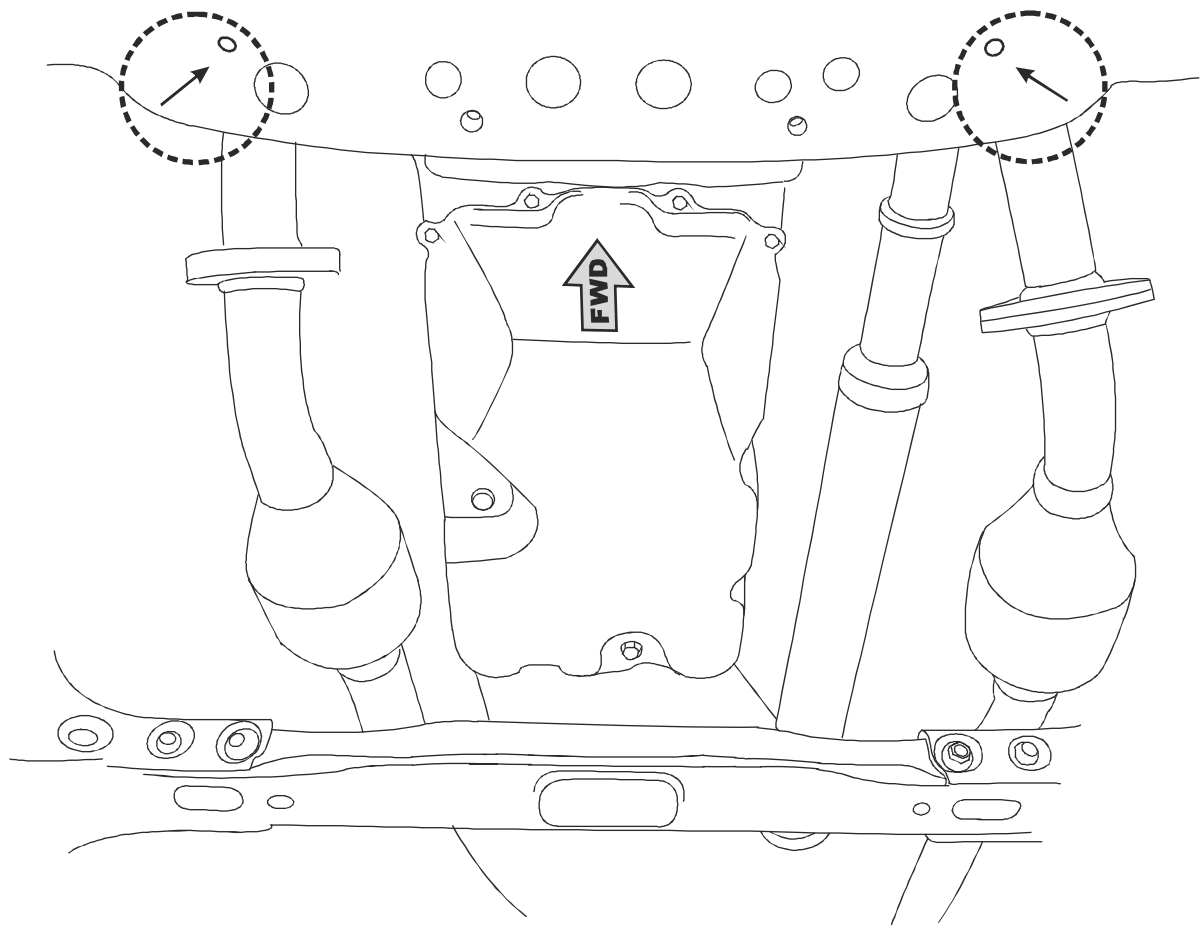
Issue:  
1

Date:  
01/10/12

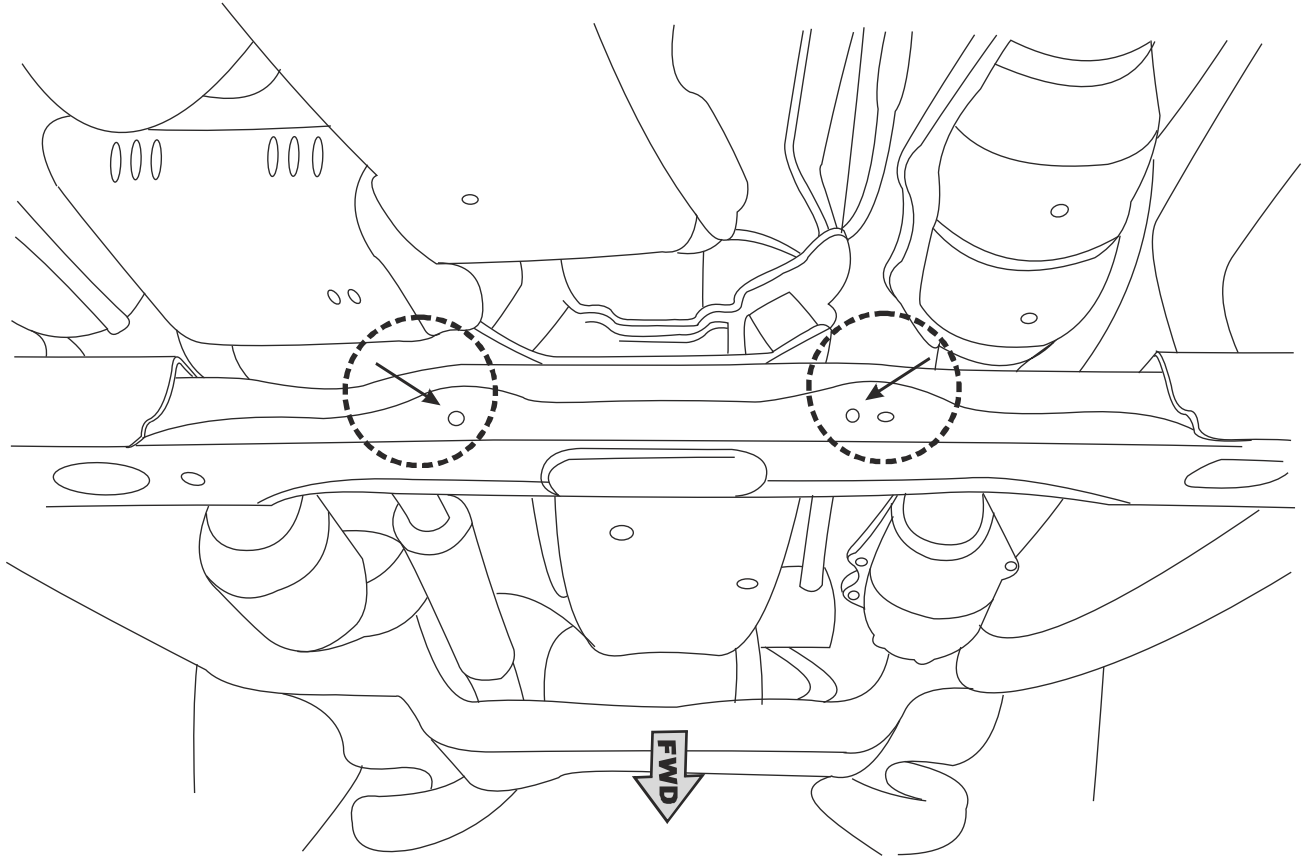
Manual reference number:  
AIM 001-098-1

Page:  
2/5

**1**



**2**



Part number:  
KZNG5-01276-00

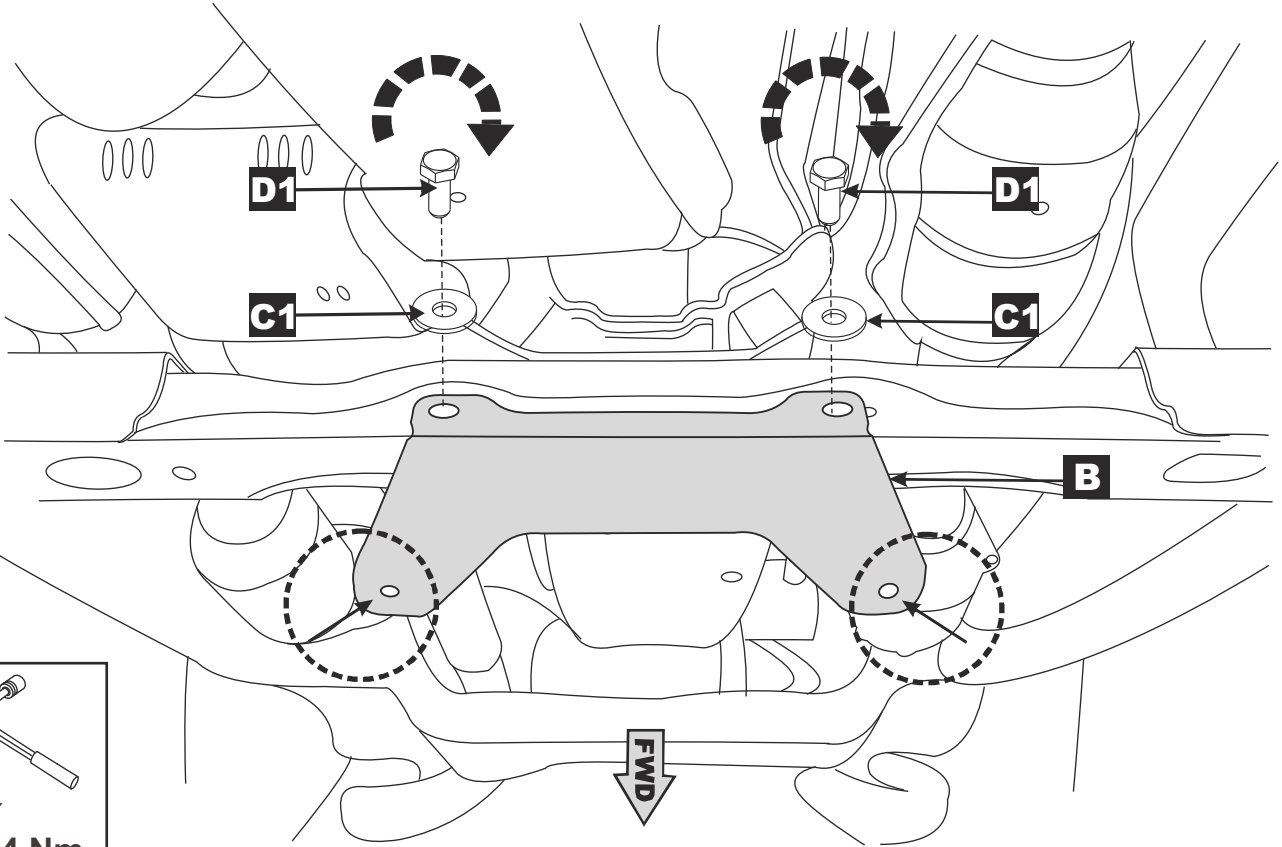
Issue:  
1

Date:  
01/10/12

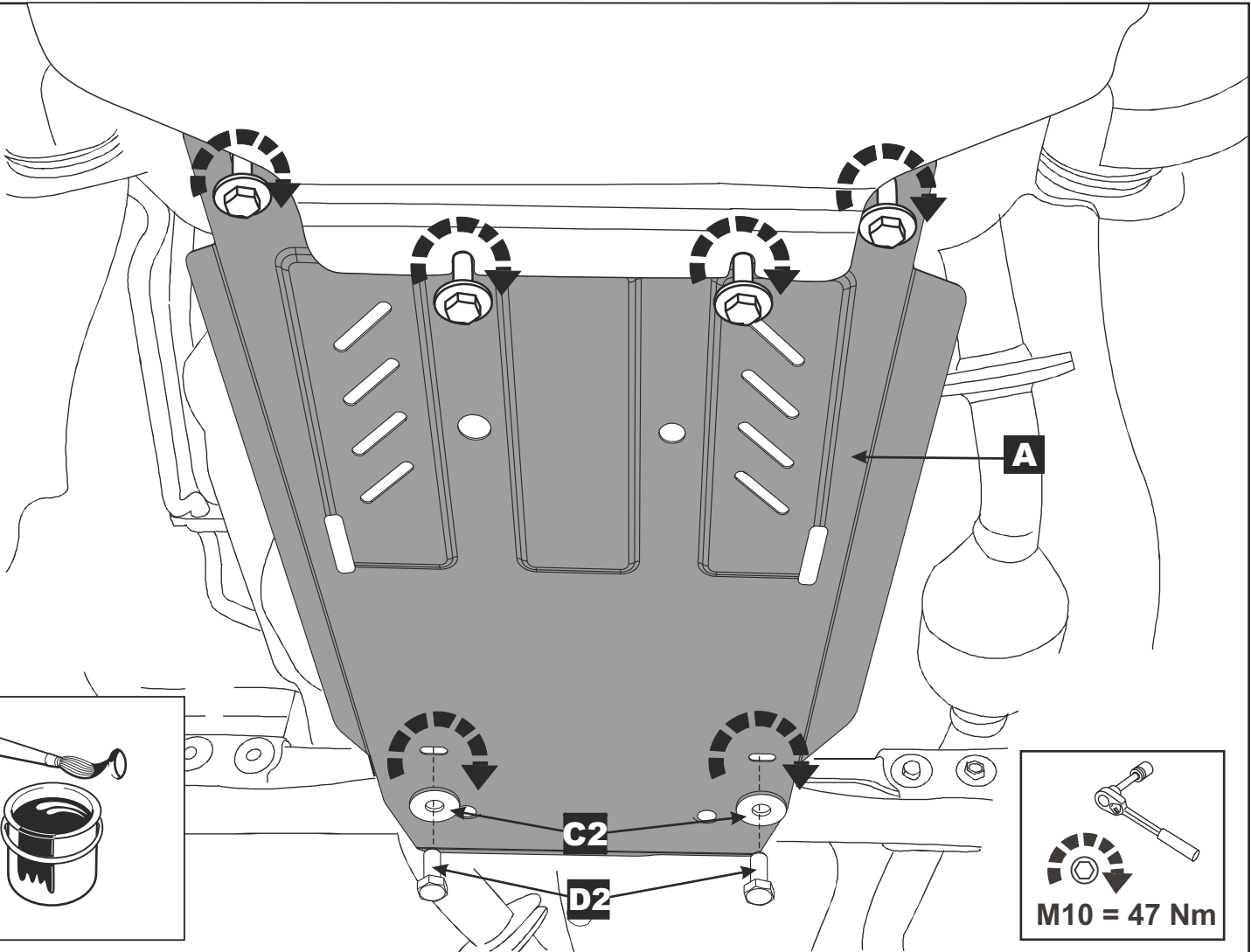
Manual reference number:  
AIM 001-098-1

Page:  
3/5

**3**



**4**



Part number:  
KZNG5-01276-00

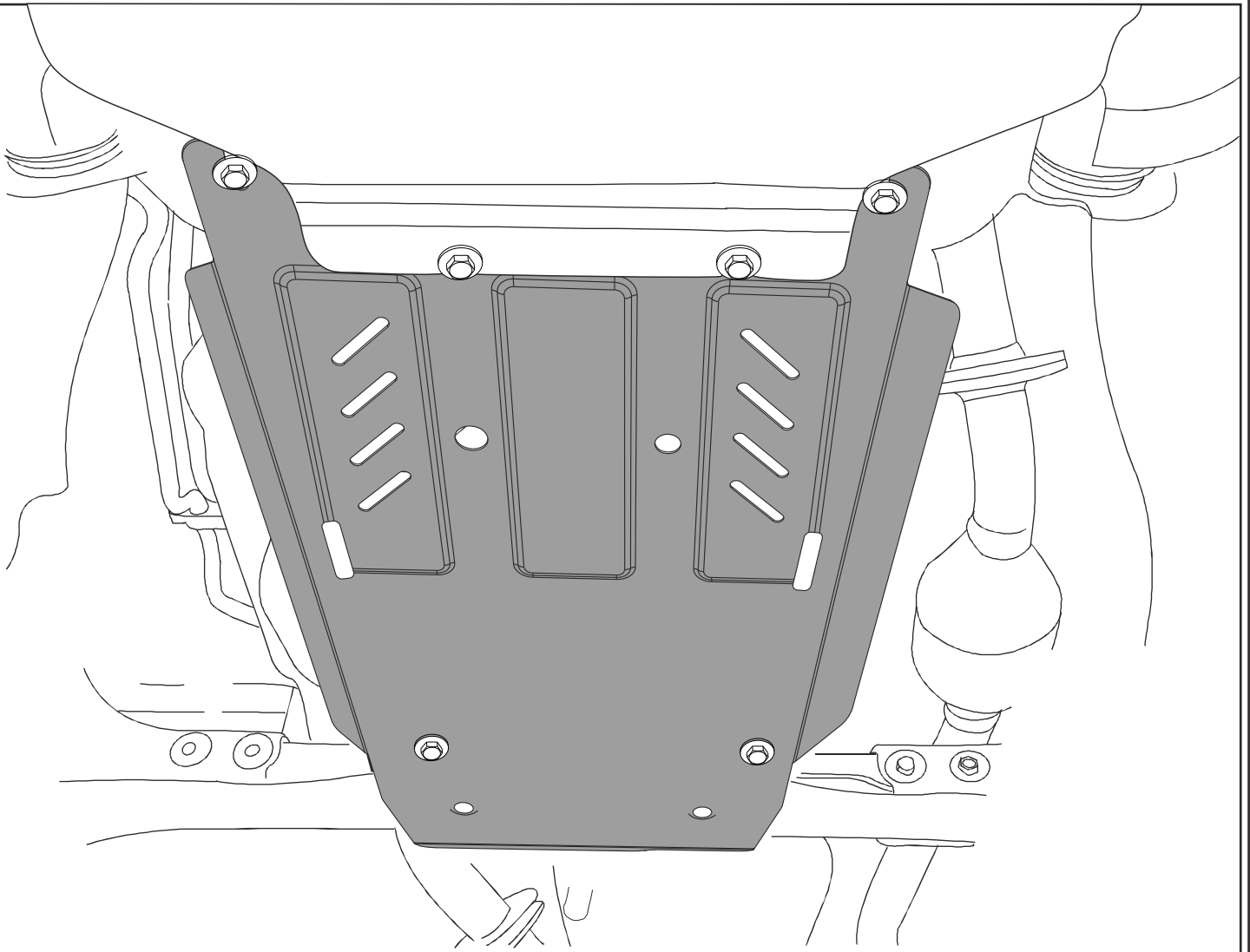
Issue:  
1

Date:  
01/10/12

Manual reference number:  
AIM 001-098-1

Page:  
4/5

5



Part number:  
KZNG5-01276-00

Issue:  
1

Date:  
01/10/12

Manual reference number:  
AIM 001-098-1

Page:  
5/5