



Installation instructions for KZNG5-03004-00
Under Run Protective Shield Engine Bay

TOYOTA LC 200

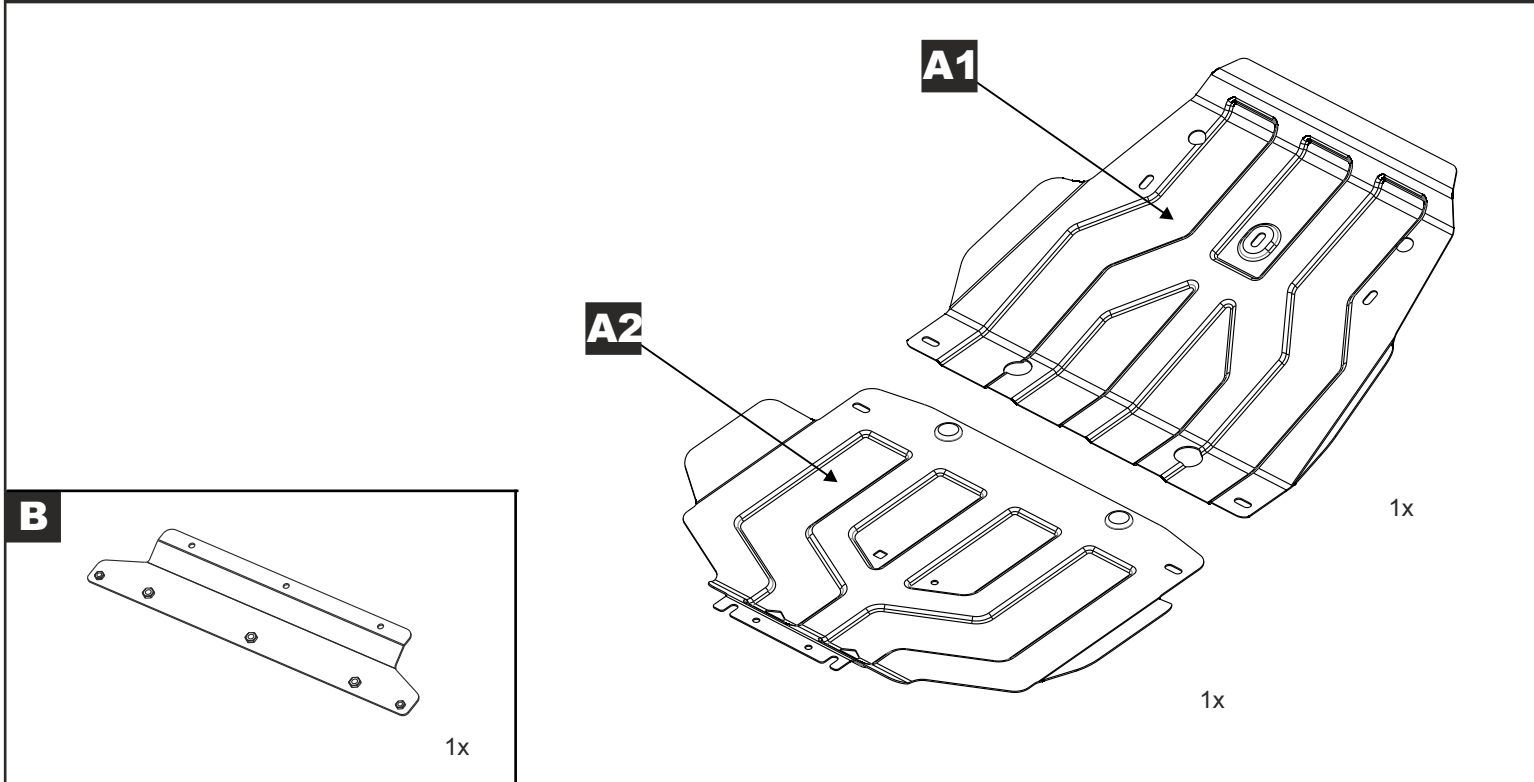


LEXUS LX

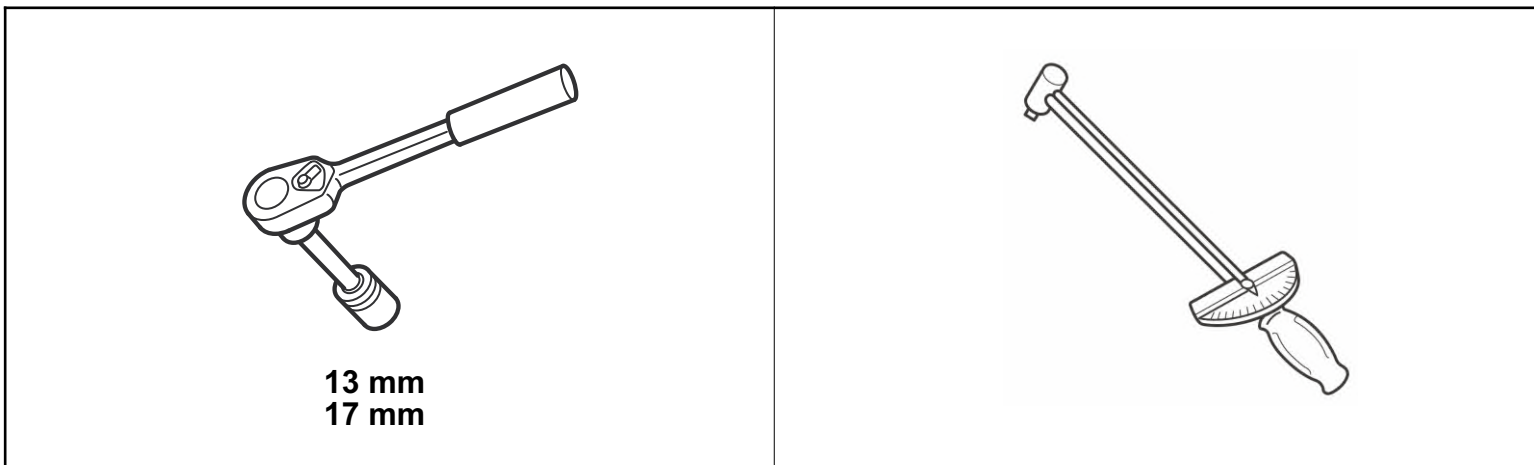
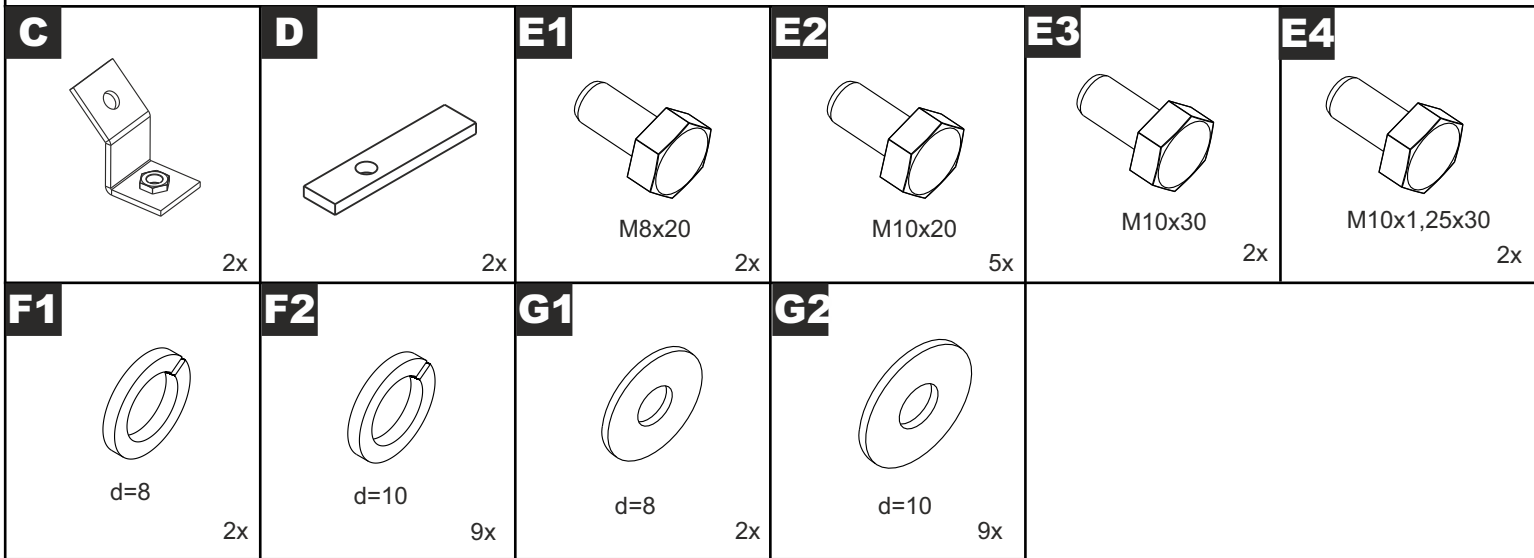


	LC 200	LX 570	LX 450d
Model year:	2015	2015	2015
Applicability:	VDJ200L-GMTVZW URJ202L-GMTEKW URJ202L-GNTVKW	URJ201L-GNZGKW	VDJ201L-GMTGZW
Part Number:	Aluminium: KZNG5-03004-00		
 Weight:	10.68 kg		
 Installation Time:	30 min		

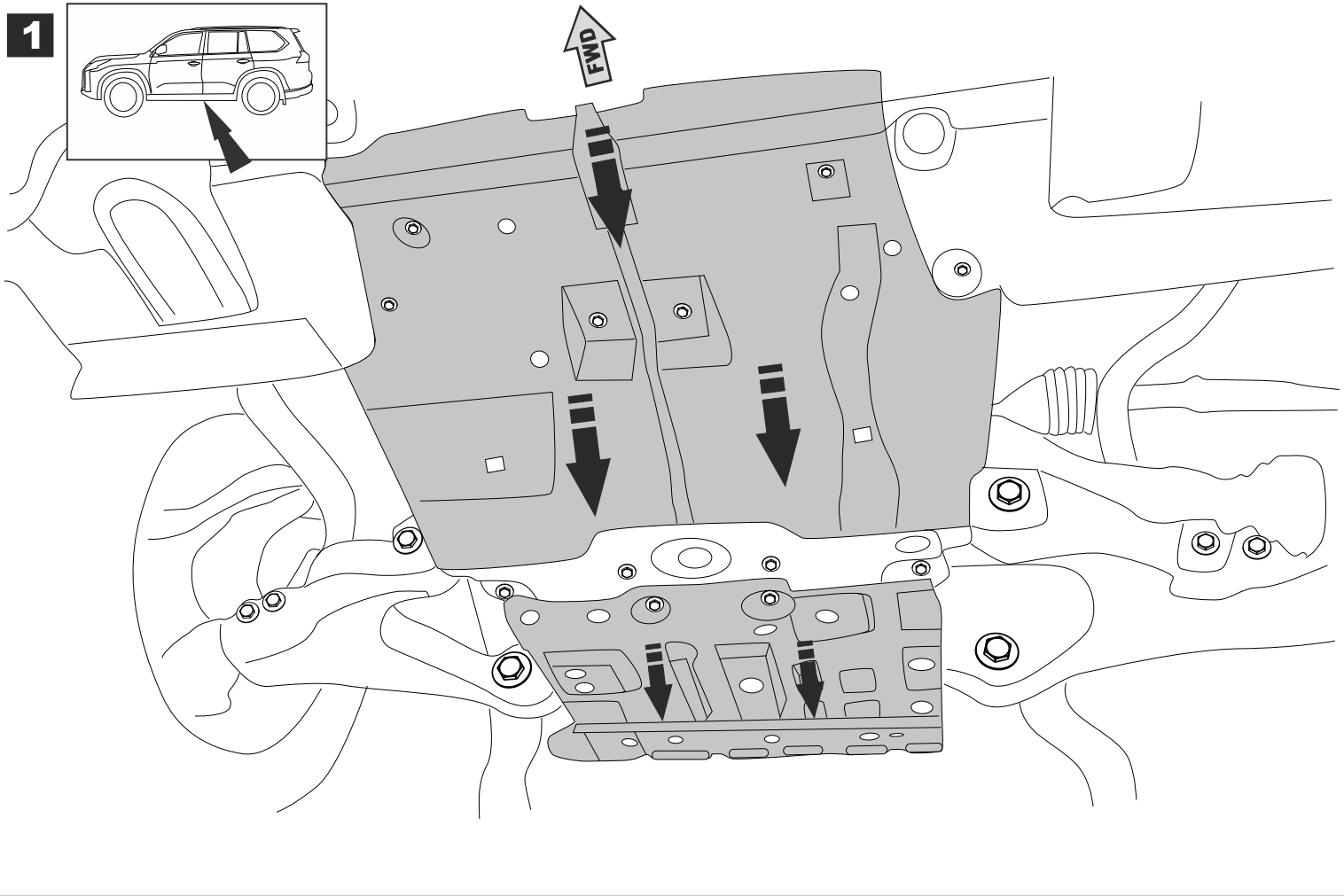
KZNG5-03004-00



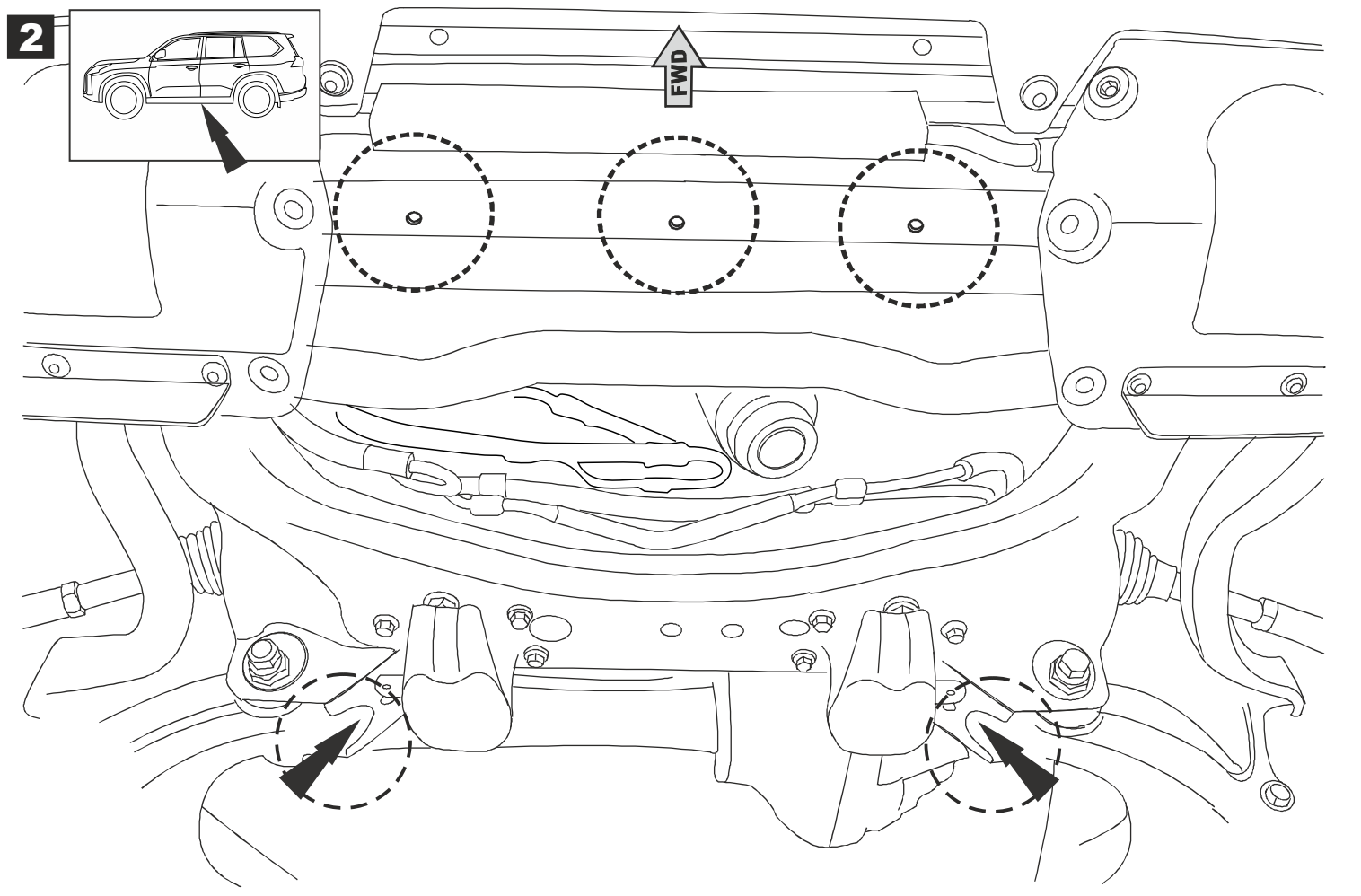
KZNG5-01871-60

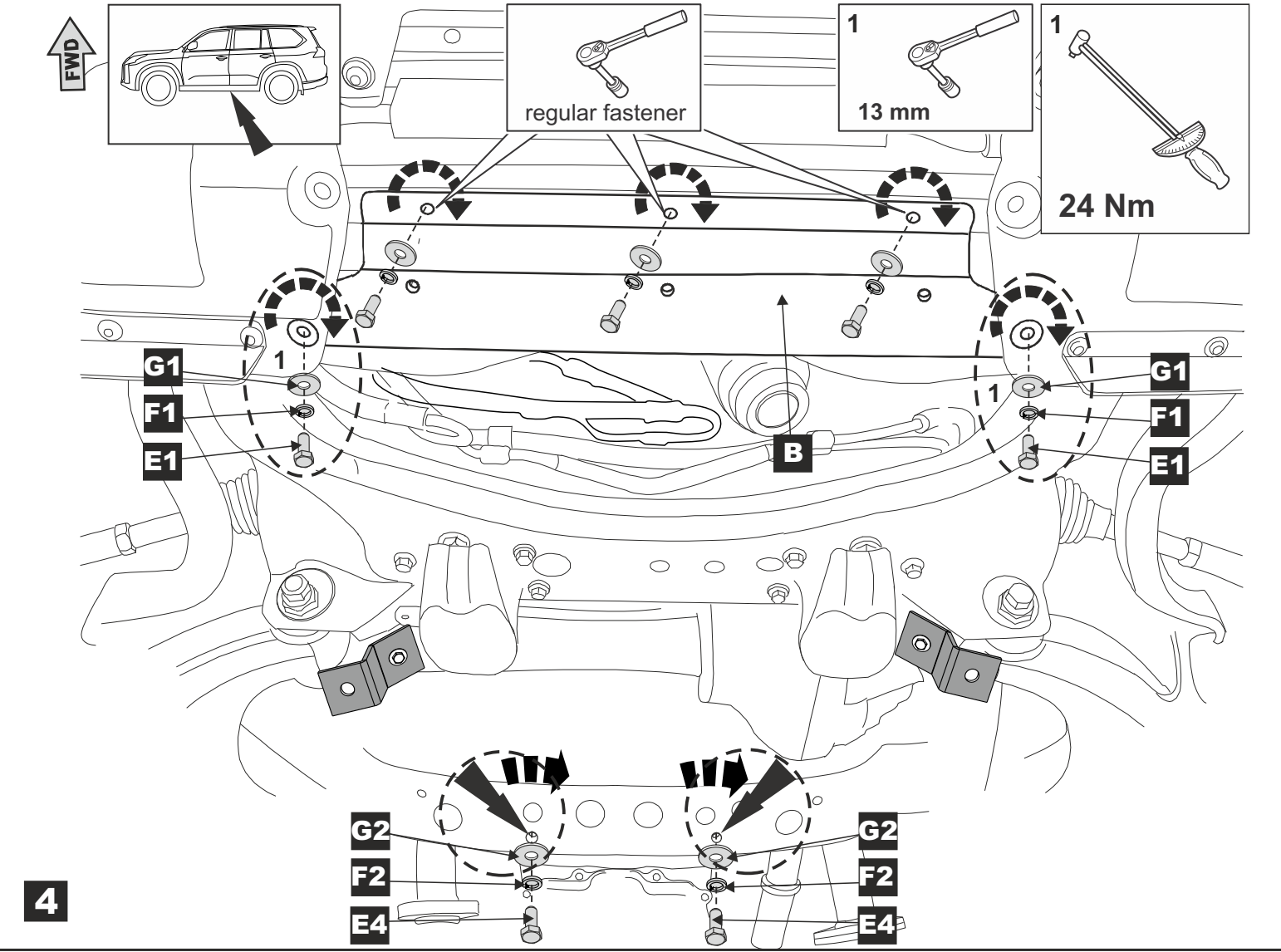
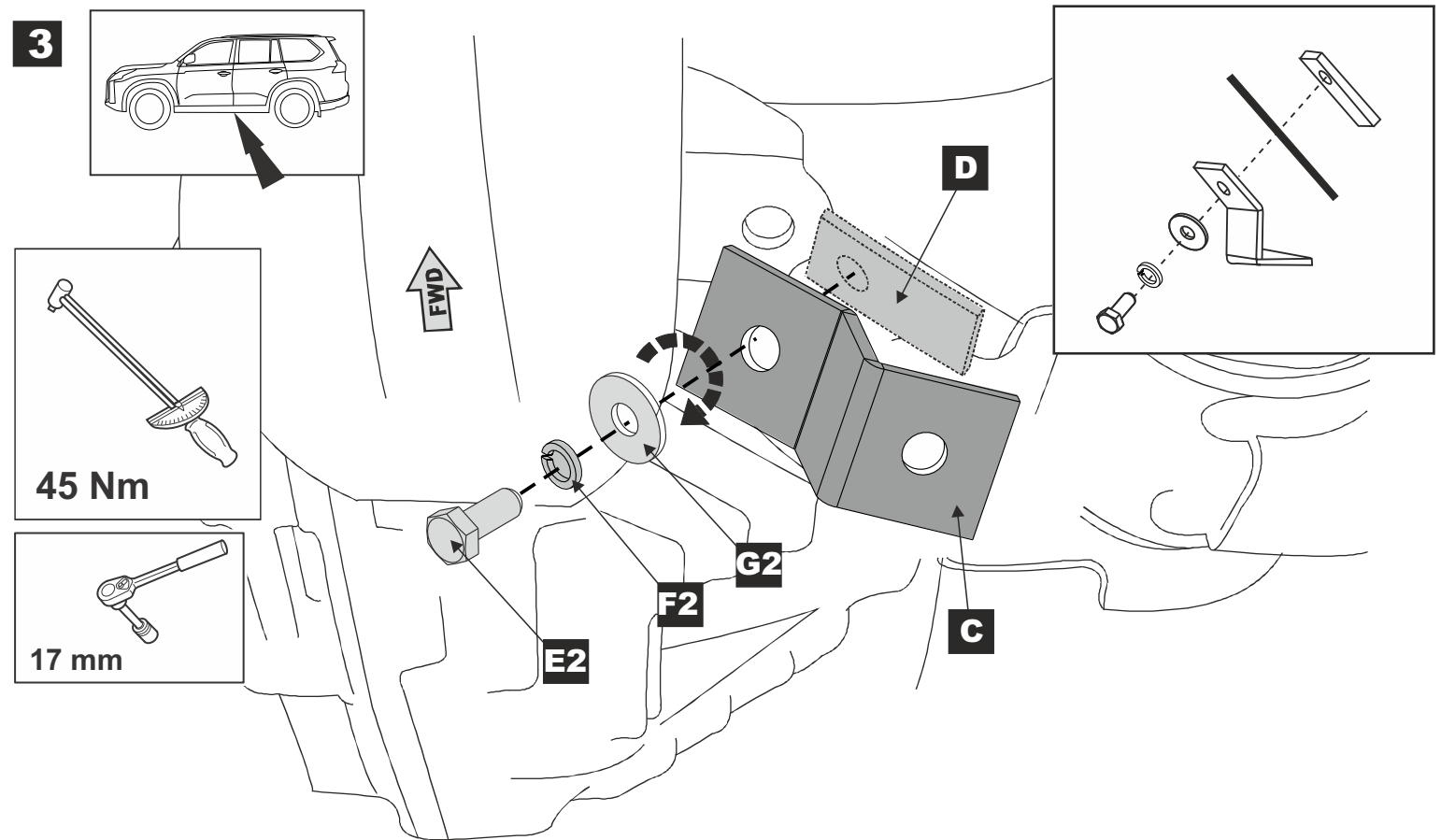


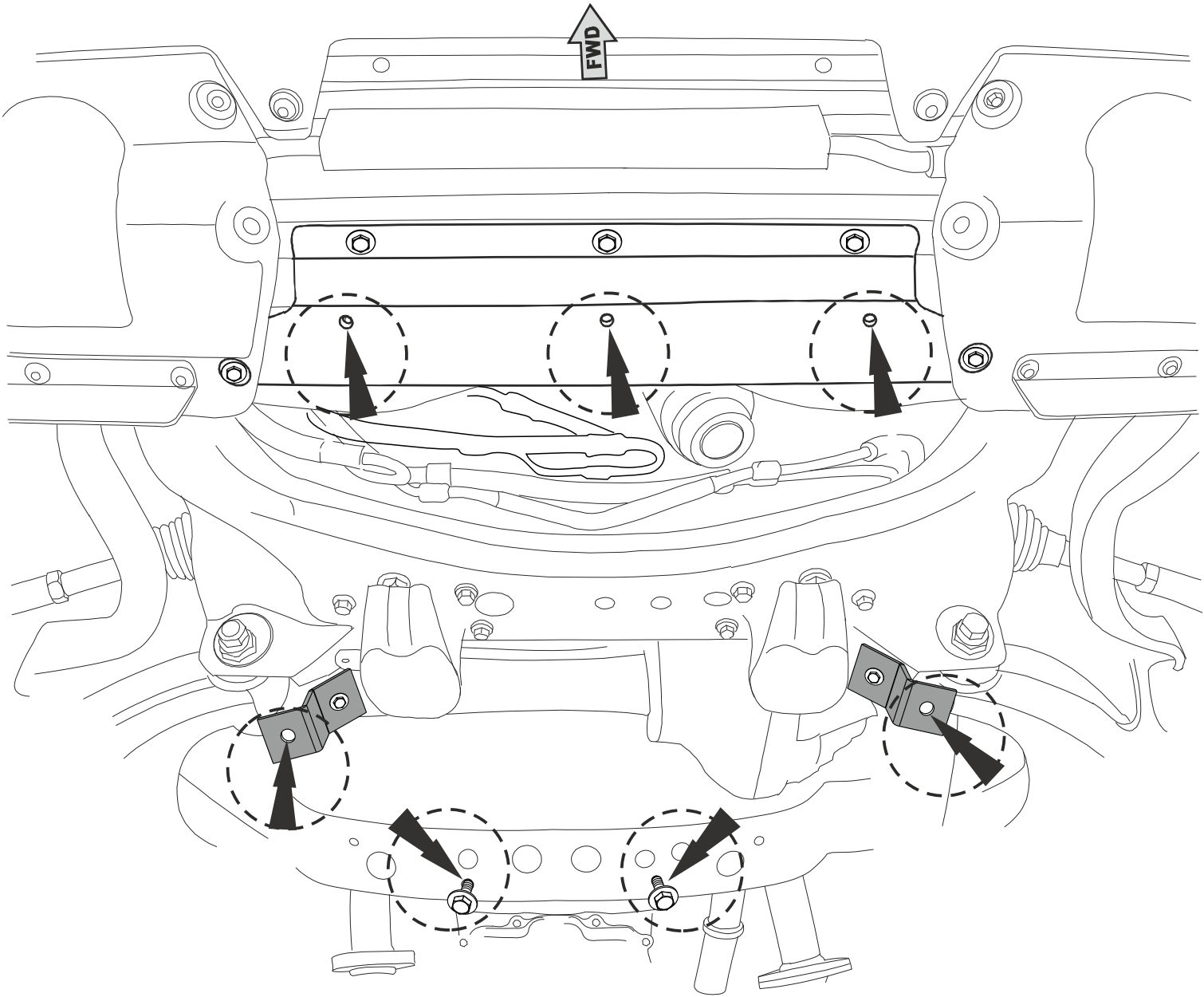
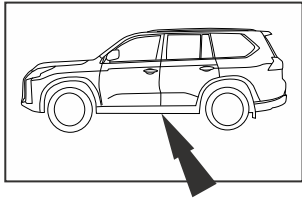
1



2

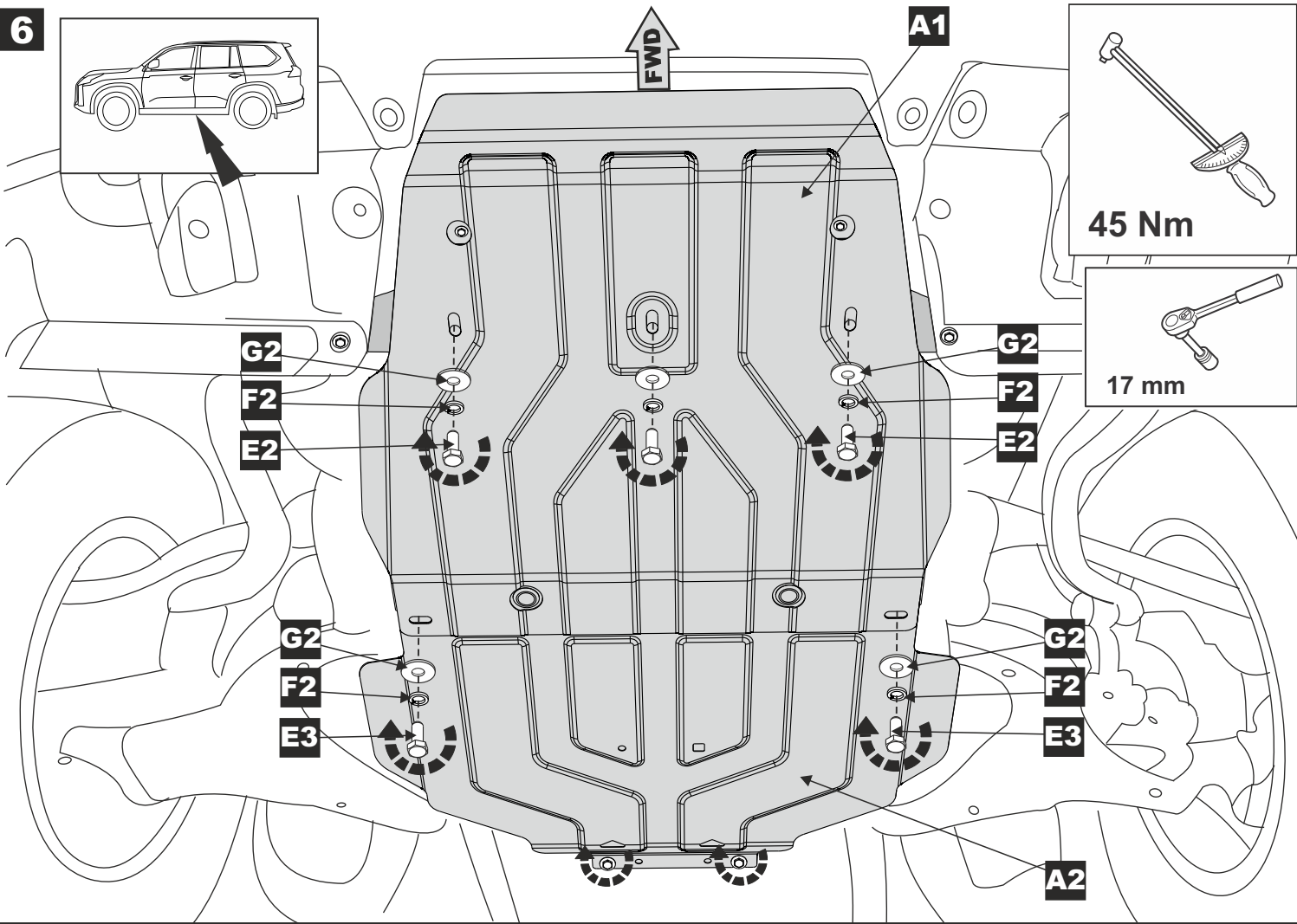






5

6



7

