

Installation instructions for KZNG5-003828-00
Installation instructions for KZNG5-003829-00
Under Run Protective Shield Engine Bay

TOYOTA LAND CRUISER 300



LAND CRUISER 300

Model year:

LAND CRUISER 2021-

Applicability:

CRUISER 3,5 AT WD

Part Number:

Steel: KZNG5-03828-00
Aluminium: KZNG5-03829-00



Weight:

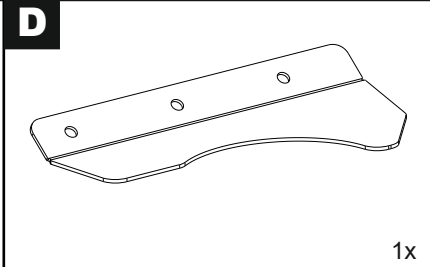
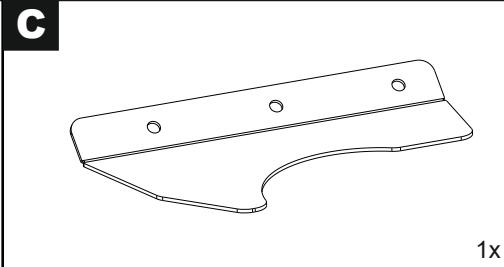
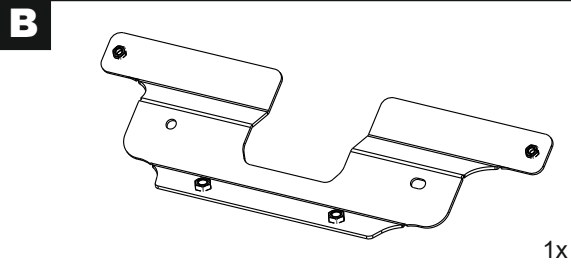
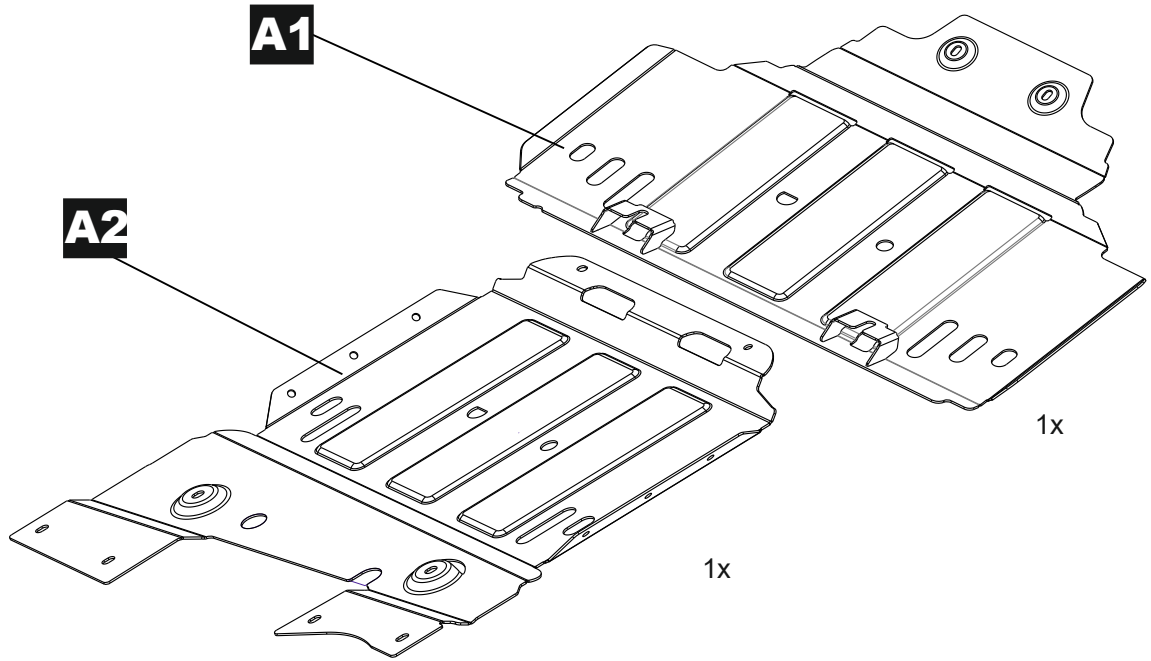
Steel: 16,64 kg
Aluminium: 9,86 kg



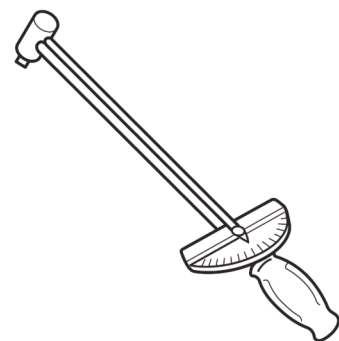
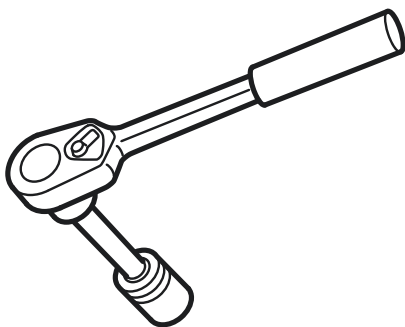
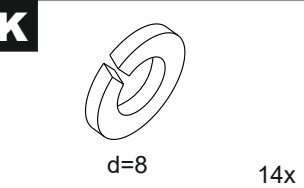
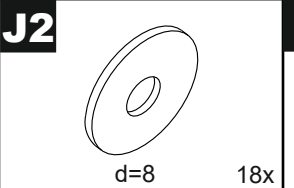
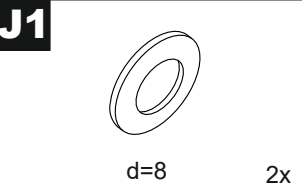
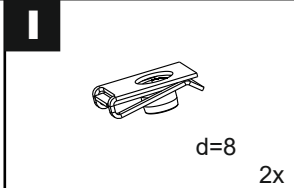
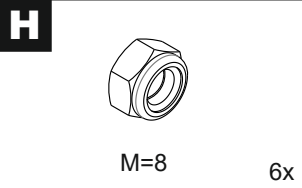
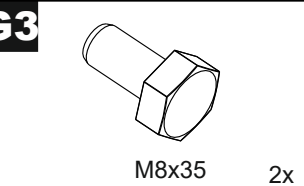
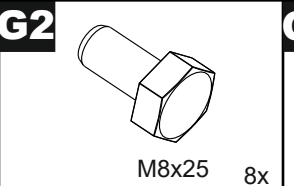
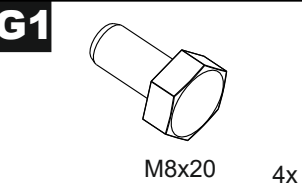
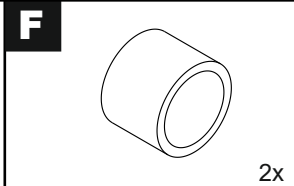
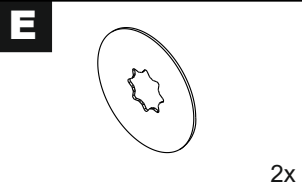
Installation Time:

30 min

KZNG5-03828-00, KZNG5-03829-00



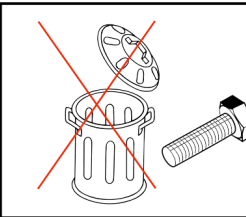
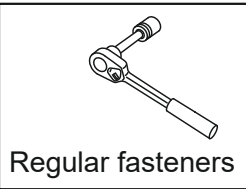
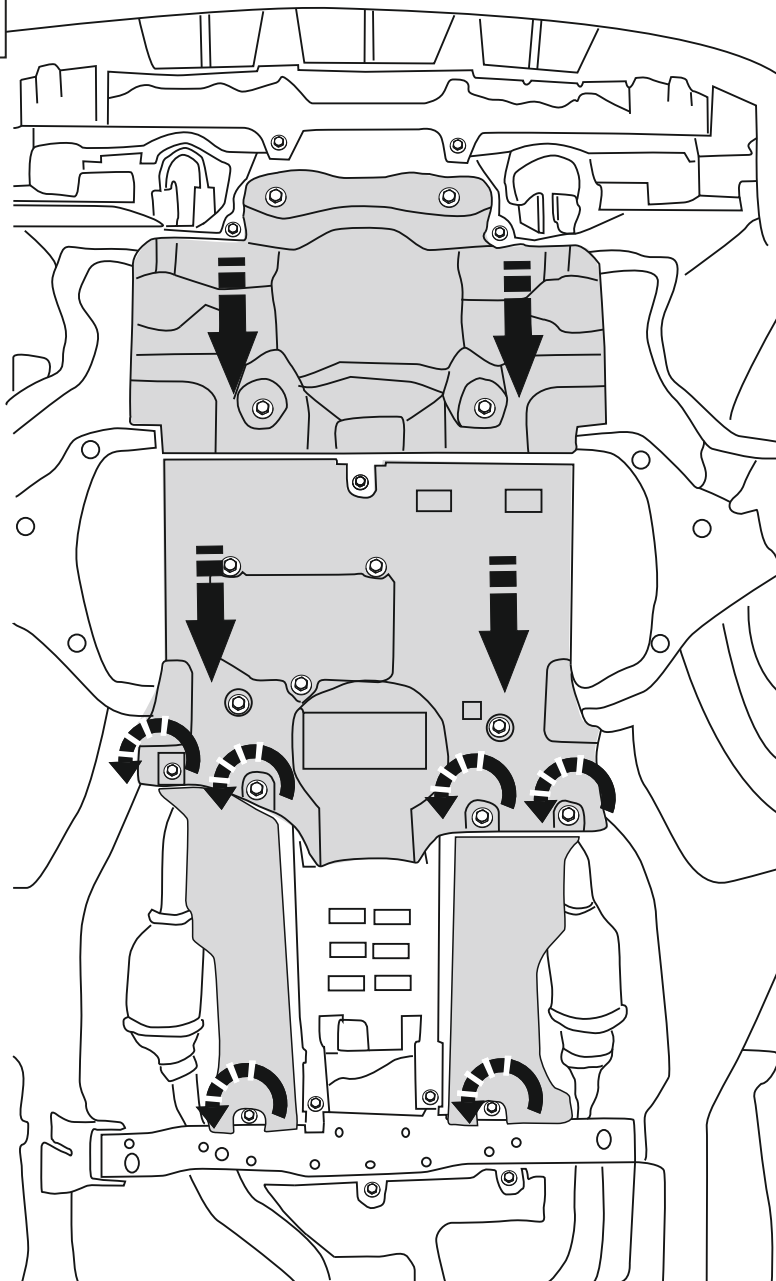
KZNG5-03828-60



1



FWD ↑

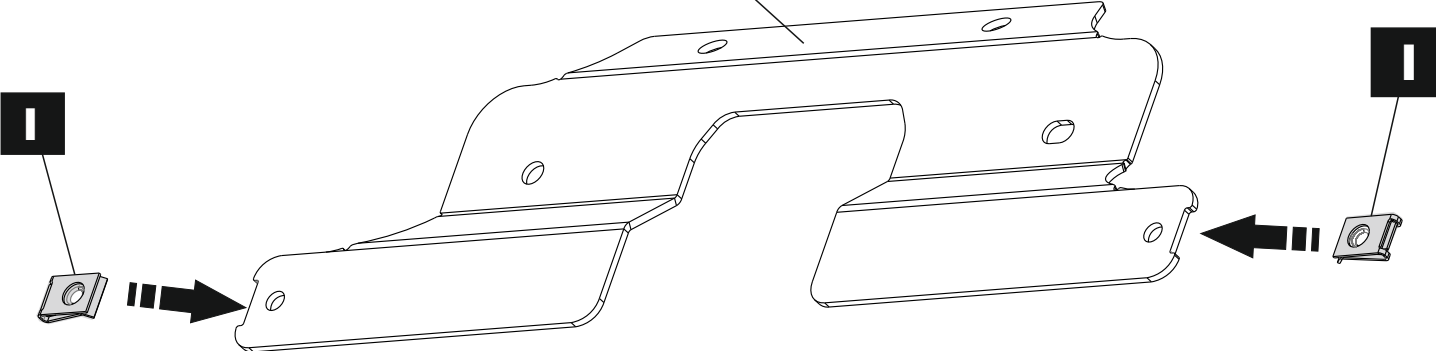


2

B

I

I



Part number:
KZNG5-03828-00
KZNG5-03829-00

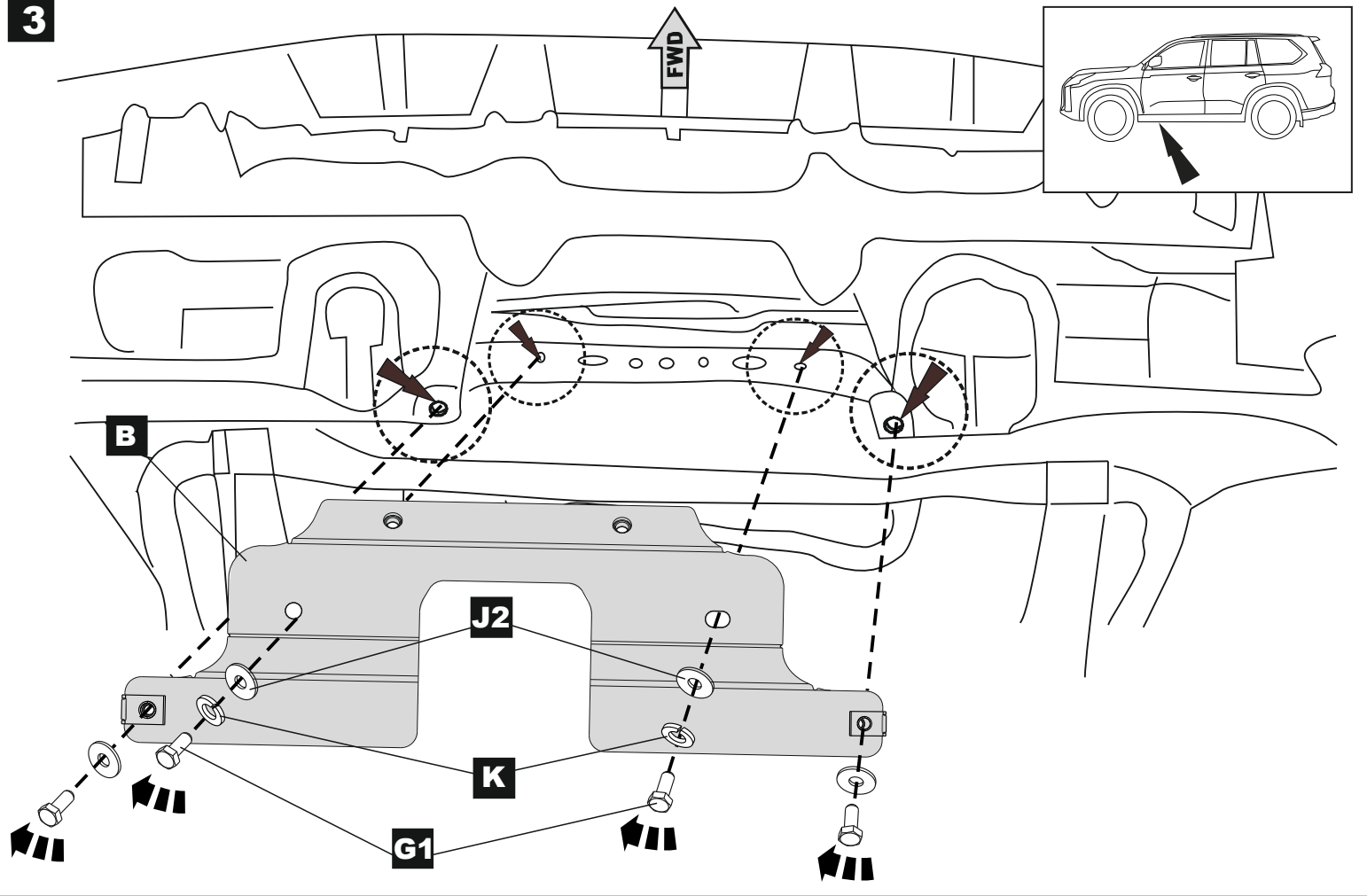
Revision:
1

Date:
21/03/22

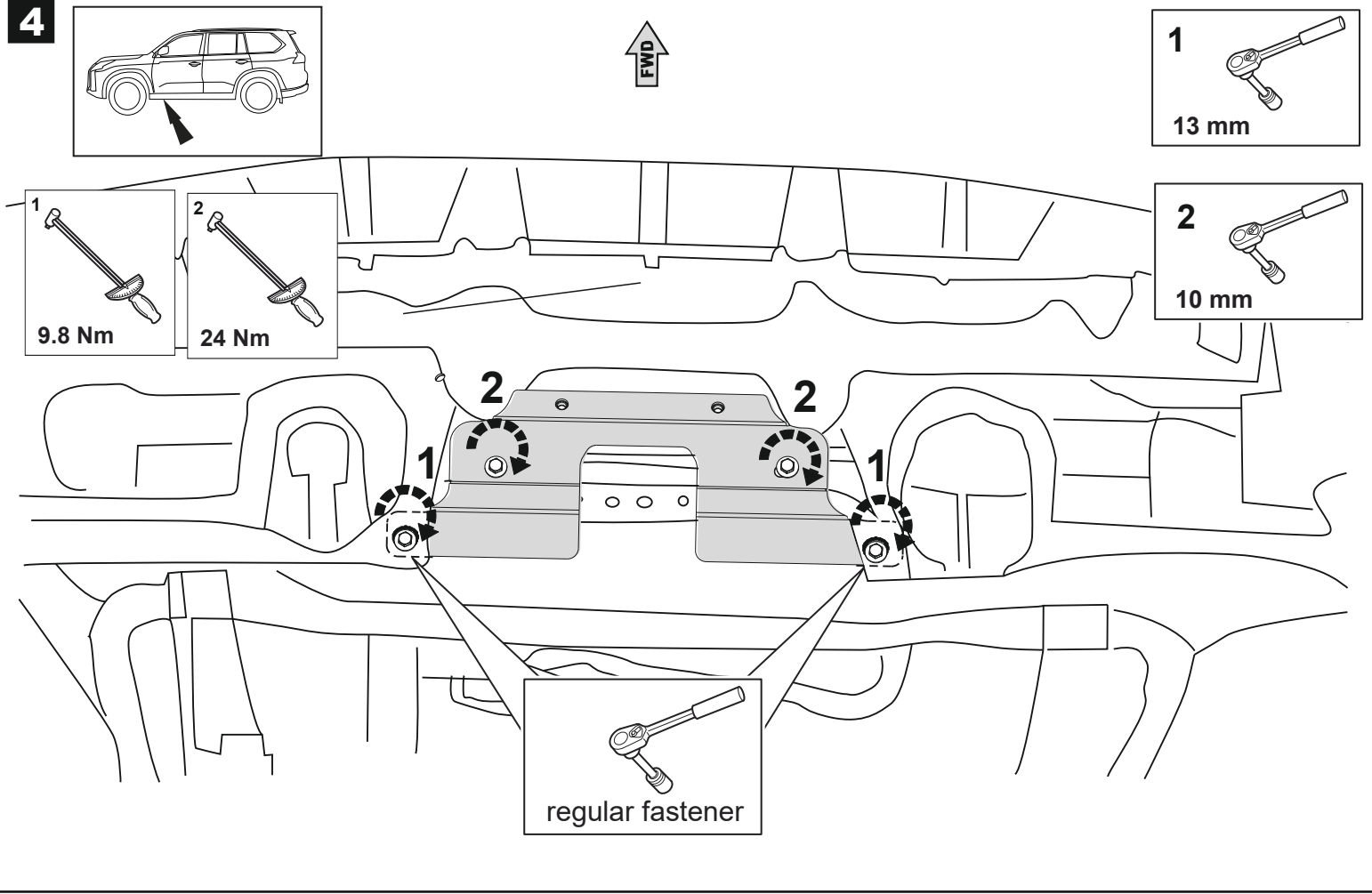
LAND CRUISER 300

Page:
3/7

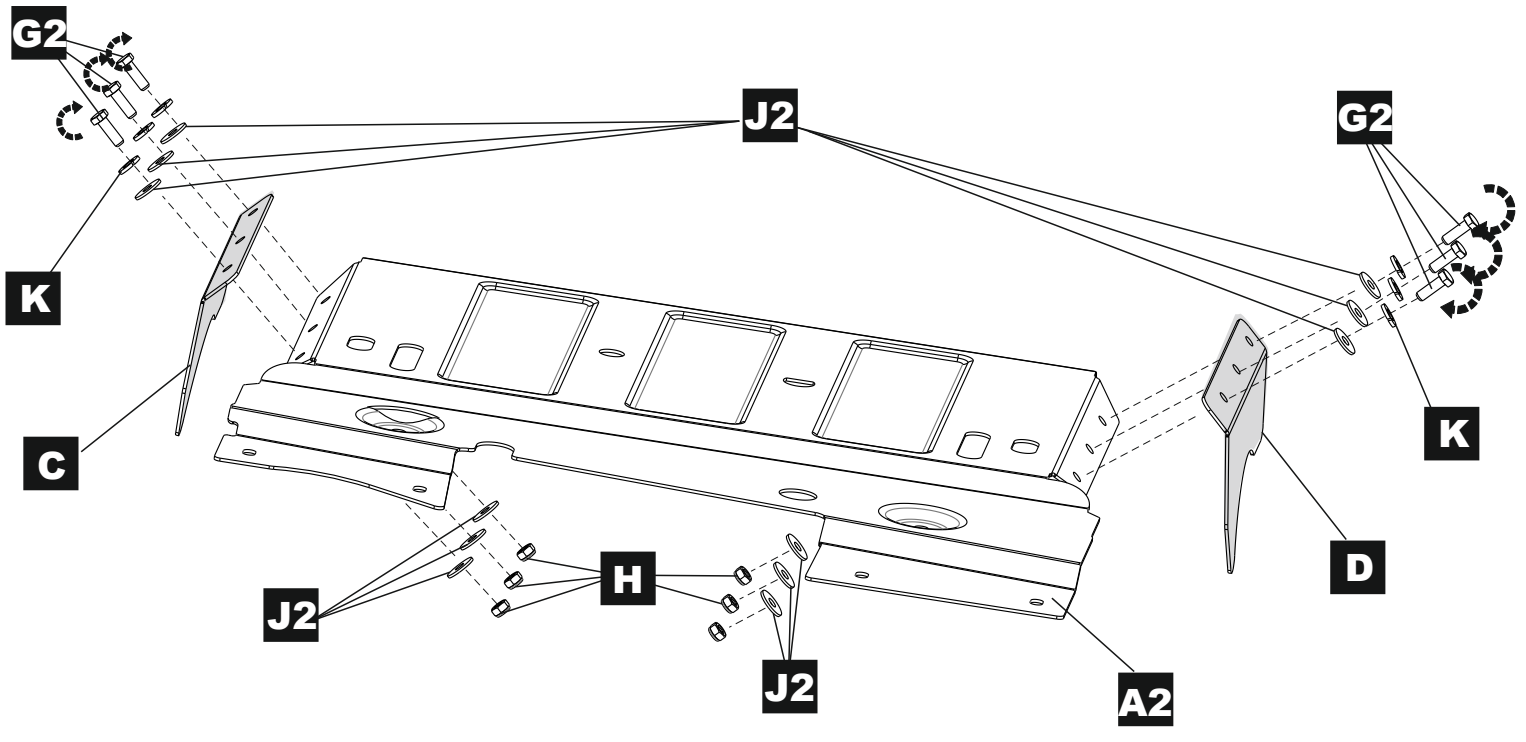
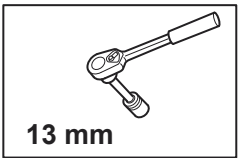
3



4



5



6

