

Installation instructions for PZ4AL- 06480- 00

Toyota Corolla

Under Run Protective Shield engine bay and transmission case



Model Year: 2002 - 2007

Vehicle Code:

ZRE151L-AEFDKW
ZRE151L-AEFNKW
ZRE151L-AEPDKW
ZRE151L-AEPNKW

Part Number:

PZ4AL- 06480- 00



Weight:

12.00 kg



Installation Time:

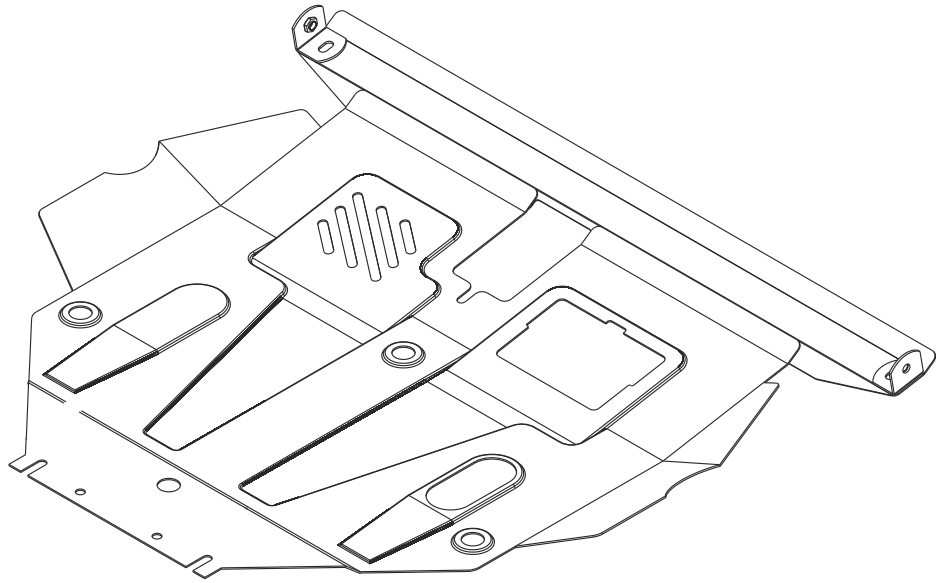
25 min

Manual reference number:

AIM 000-861-0

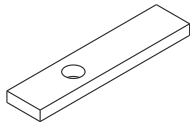
Part number: PZ4AL- 06480-00

A



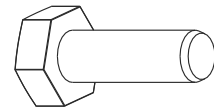
PZ4AL- 06480-60

B



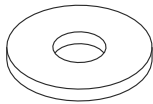
X 2

C



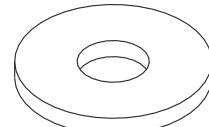
4 x M 10x30

D1

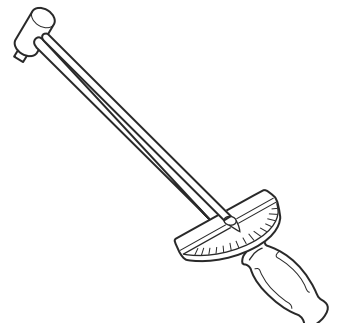
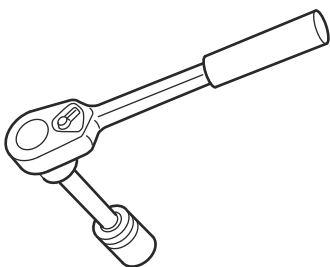


4 x Ø10

D2



2 x SD 7001



Part number:
PZ4AL- 06480-00

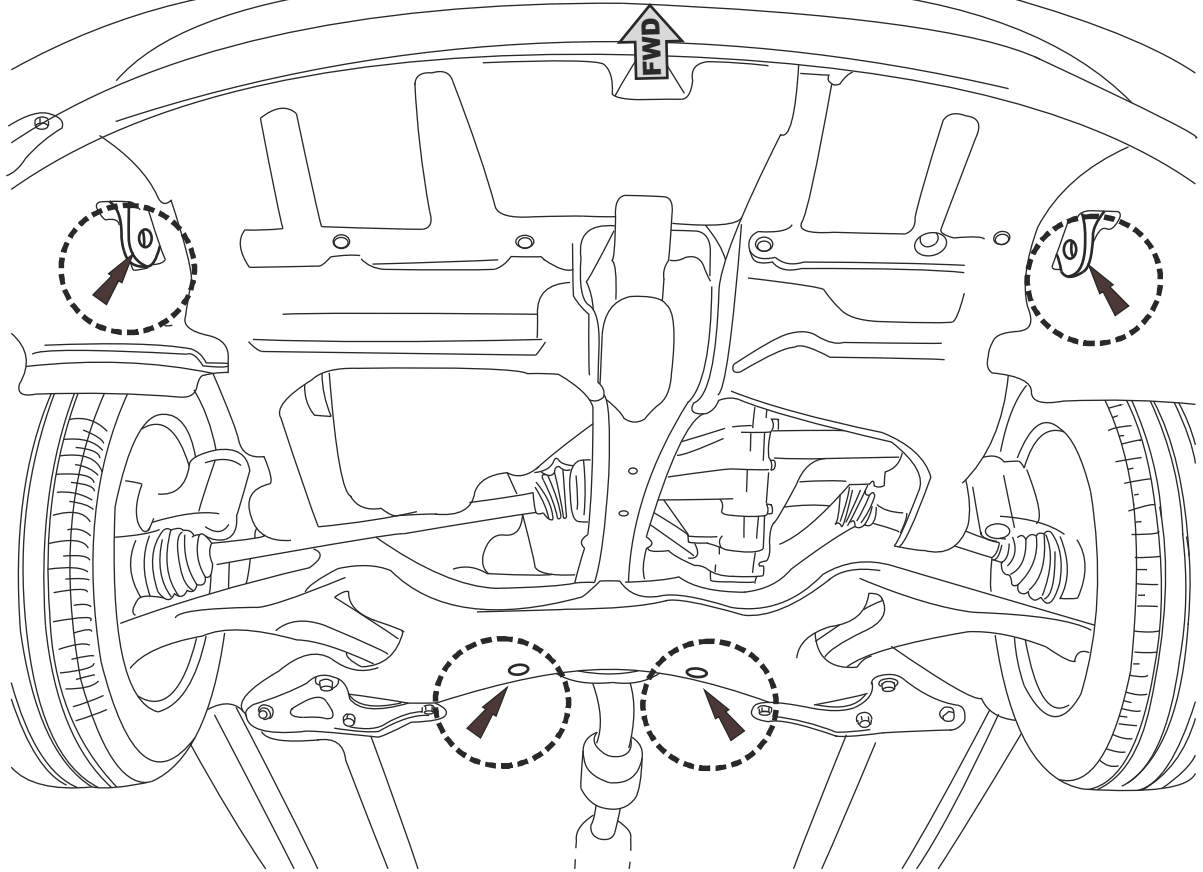
Issue:
0

Date:
19/12/06

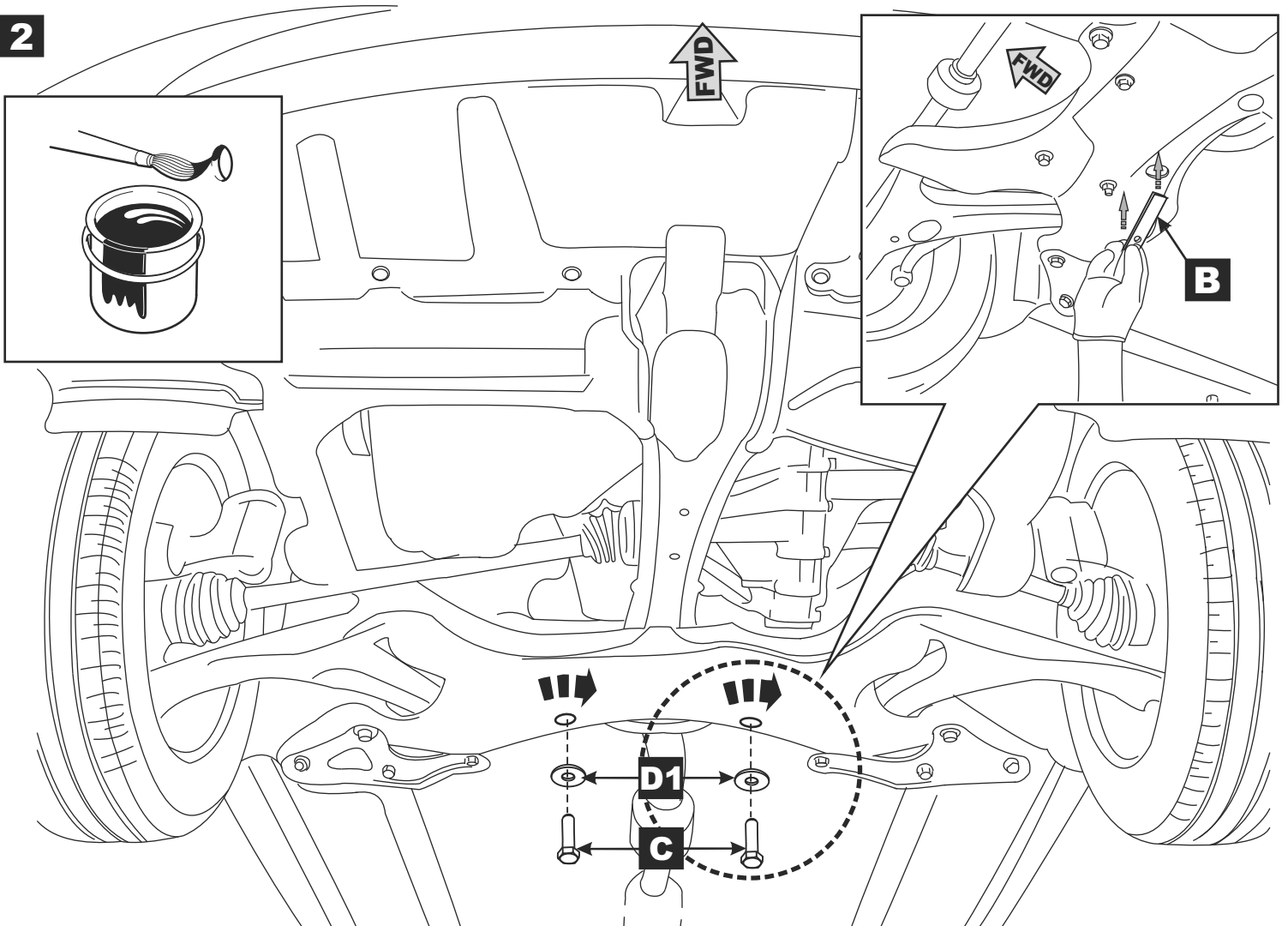
Manual reference number:
AIM 000-861-0

Page:
2/4

1



2



Part number:
PZ4AL- 06480-00

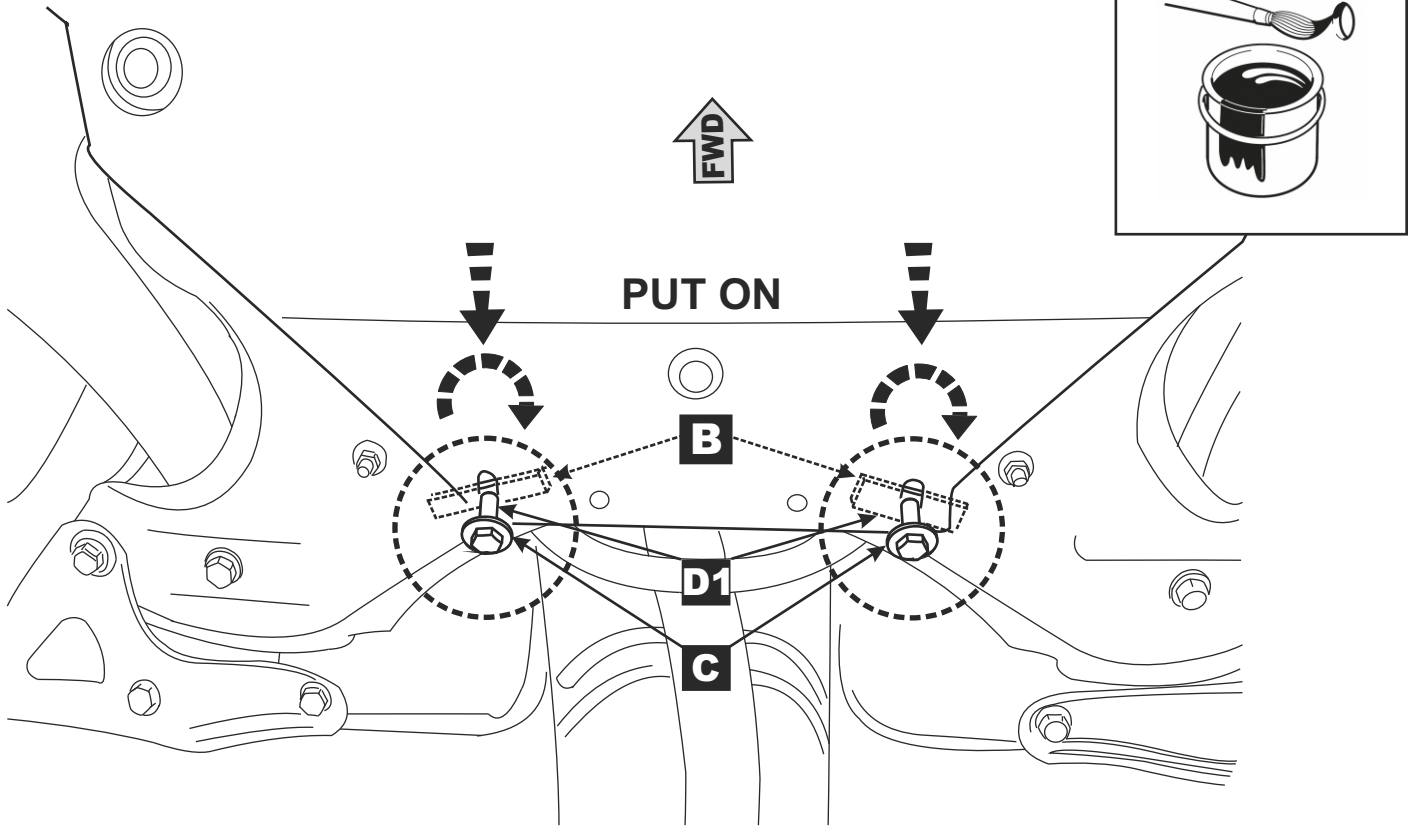
Issue:
0

Date:
19/12/06

Manual reference number:
AIM 000-861-0

Page:
3/4

3



4

