



Installation instructions for KZNG5-01897-00
Under Run Protective Shield Engine Bay and Transmission Case

TOYOTA RAV4



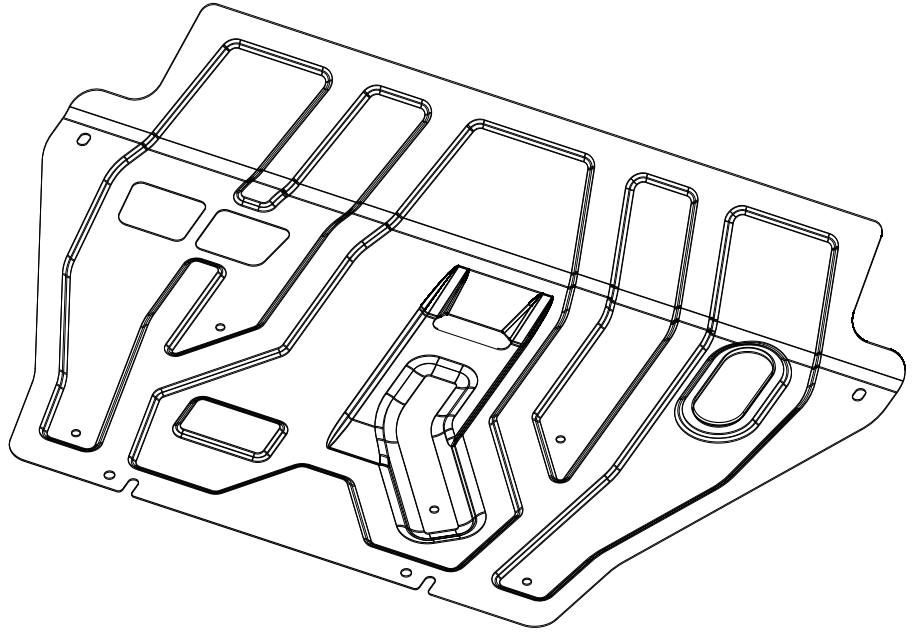
LEXUS NX200



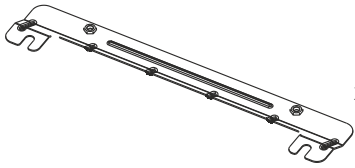
| Model Year | RAV4 - 2006 | RAV4 - 2012 - 2015 - | NX200 - 2014 - |
|--|--|--|----------------|
| Applicability: | ZSA35L-BWFXPW; ZSA30L-BWFXPW ZSA30L-BWFGPW; ZSA30L-BWXXPW ZSA30L-BWXGPW; ACA33L-ANPGKW | ZSA44L-ANFXK; ZSA44L-ANXXK ZSA44L-ANXGK; ZSA44L-ANYXKX ZSA44L-ANYMKX; ALA49L-ANTGXX ASA44L-ANTGKX; ASA44L-ANTMKX ALA49L-ANTMXX; ZSA42L-ANYXKX ZSA44L-ANFMKX; ZSA42L-ANYMKX ZSA42L-ANFXKX | ZGZ15L-AWXLPW |
| Part Number | | | KZNG5-01897-00 |
|  Weight | | | 6,0 kg |
|  Installation Time | | | 30 min |

KZNG5-01897-00

A



F



KZNG5-08760-60

B1



x2 M10x20

B2



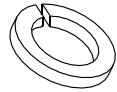
x2 M10x100

C1



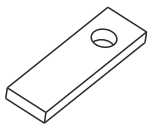
x4 Ø 10

C2



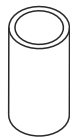
x4 Ø 10G

D

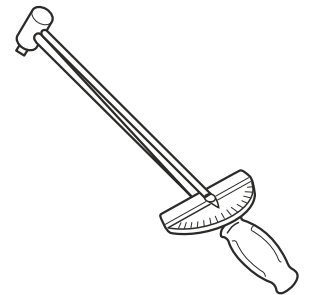
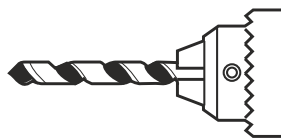
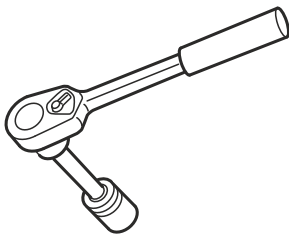


x2

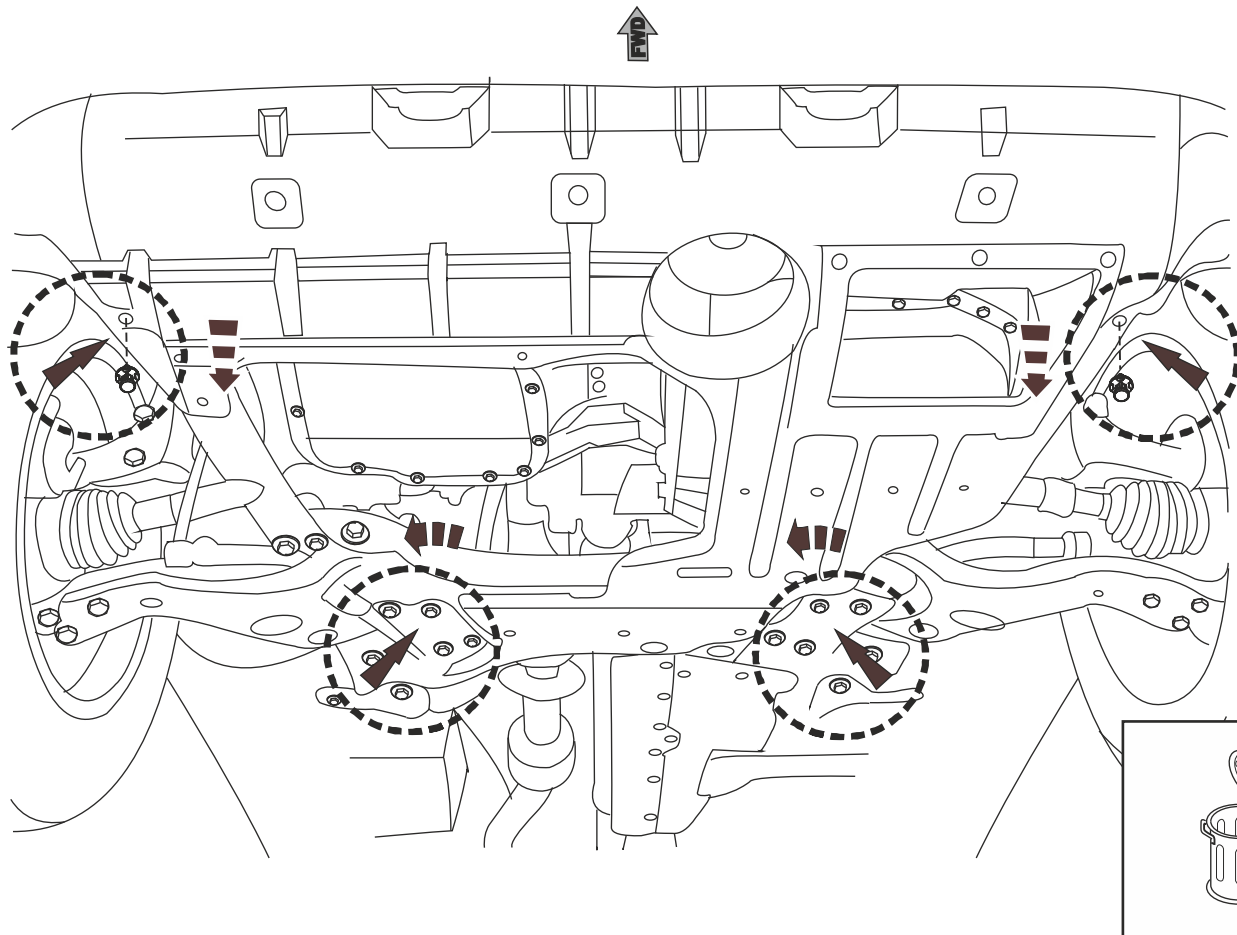
E



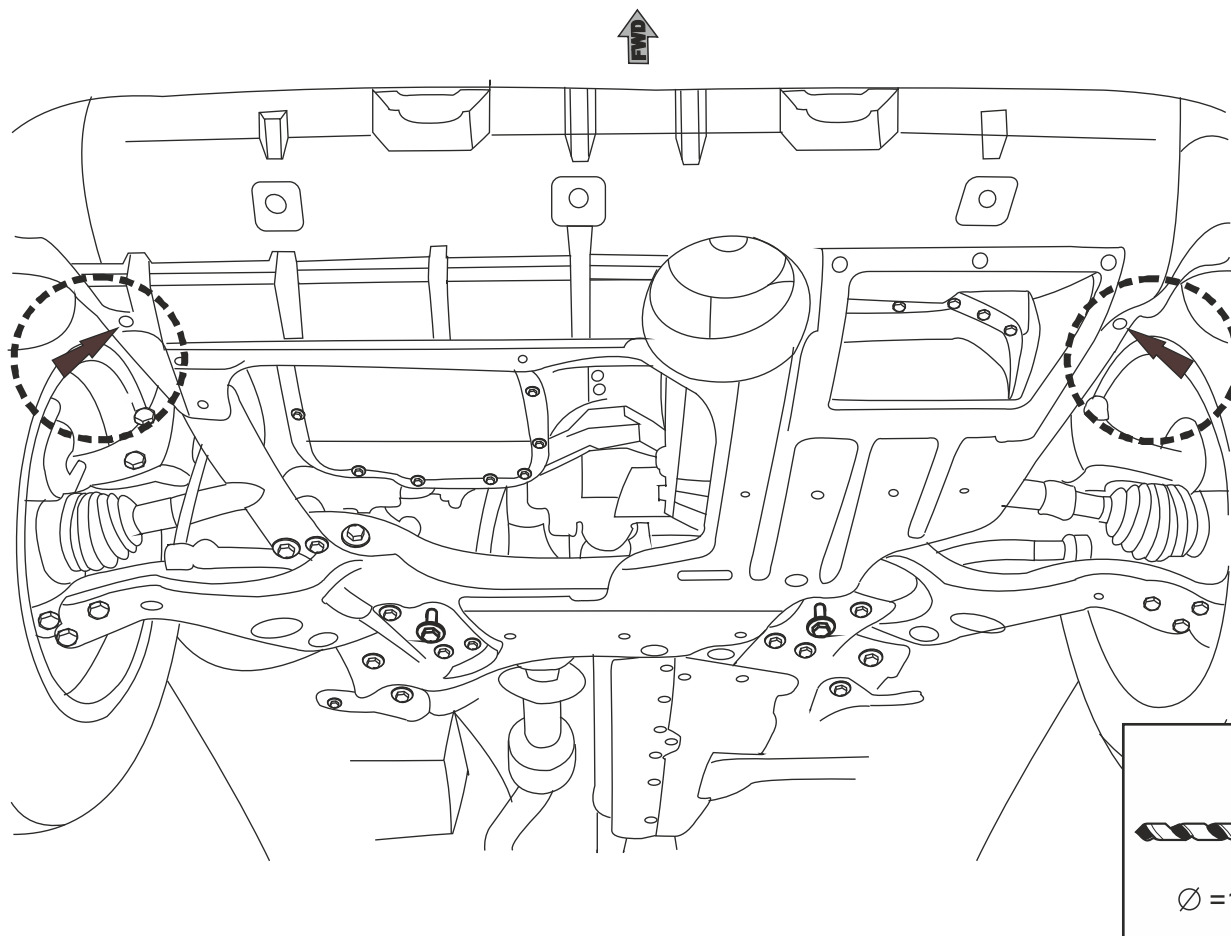
x2



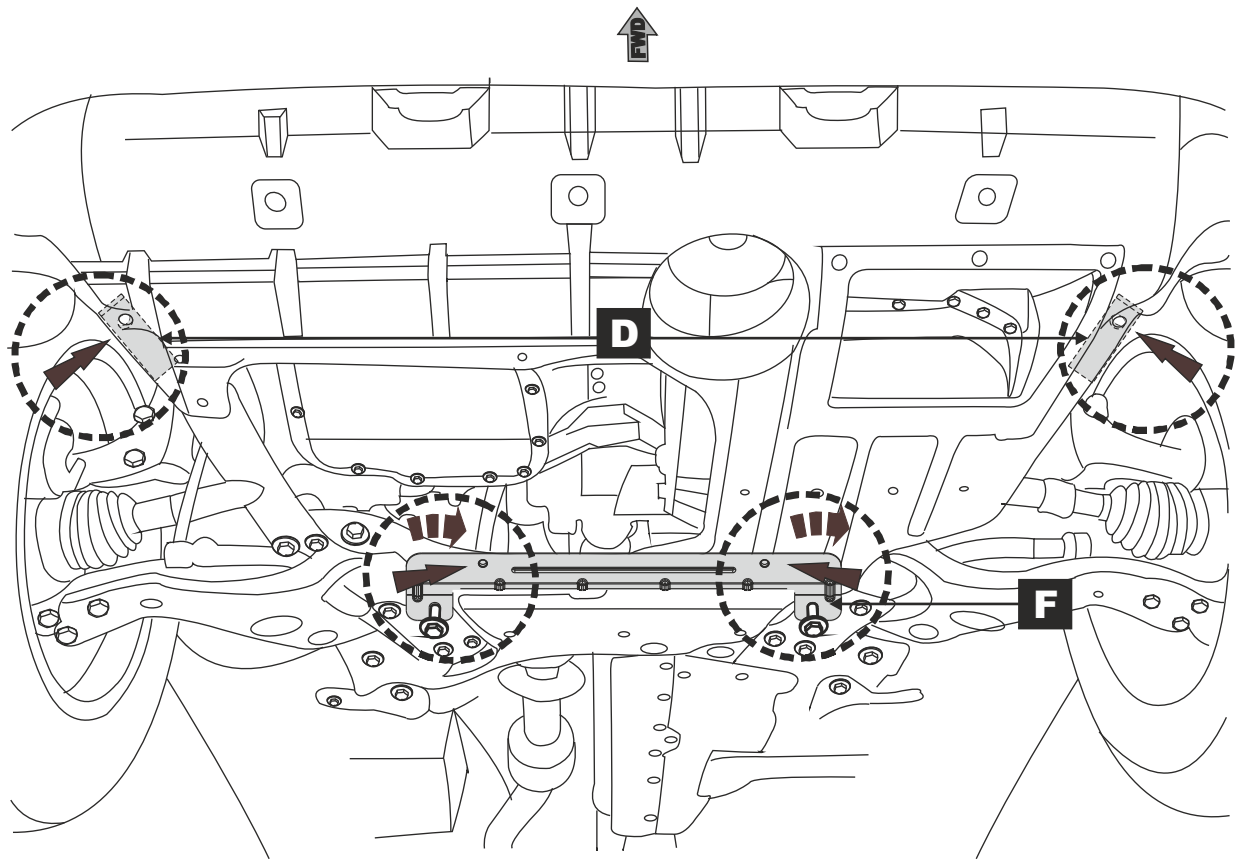
1



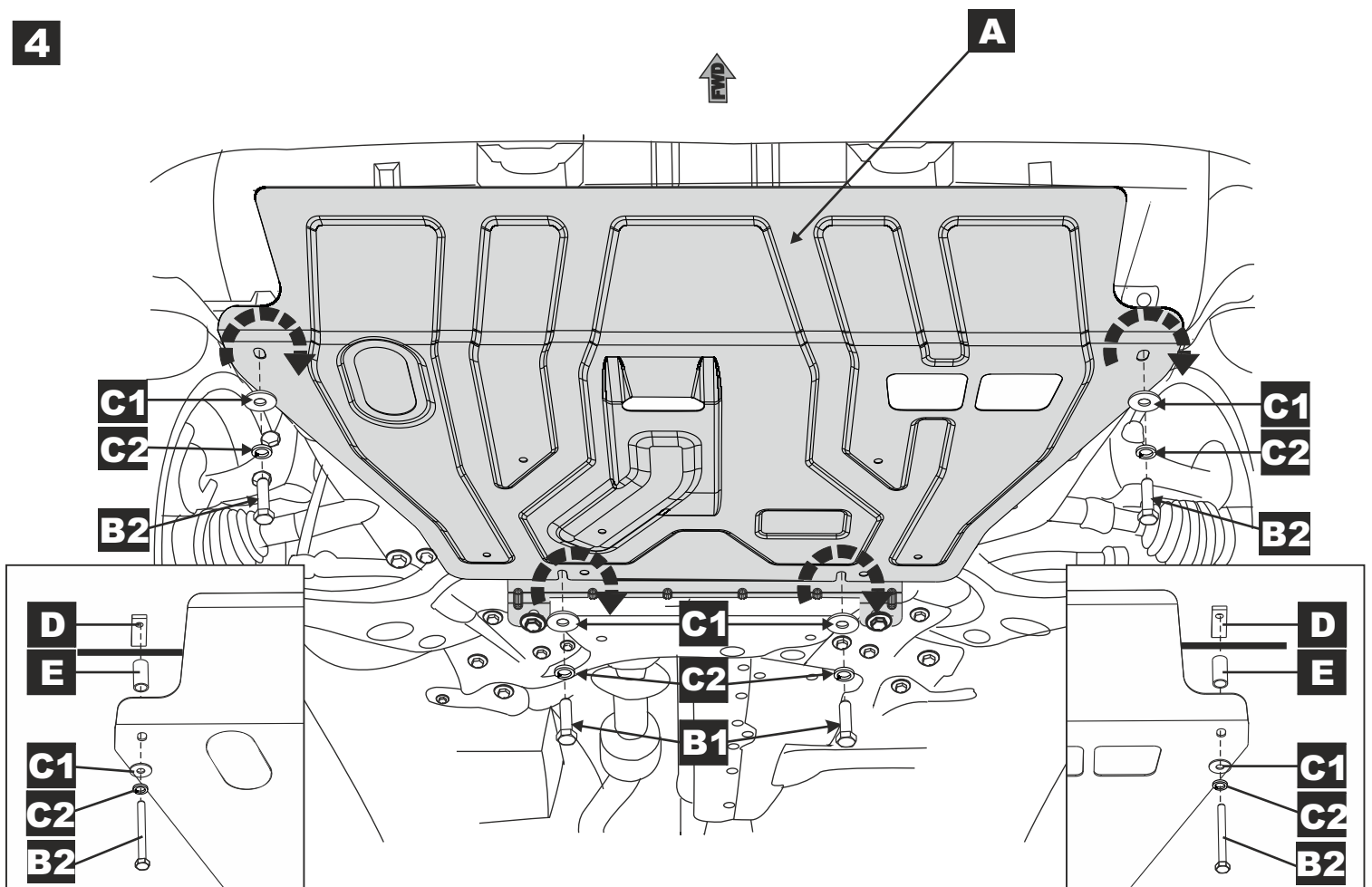
2



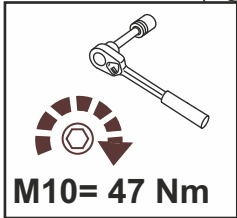
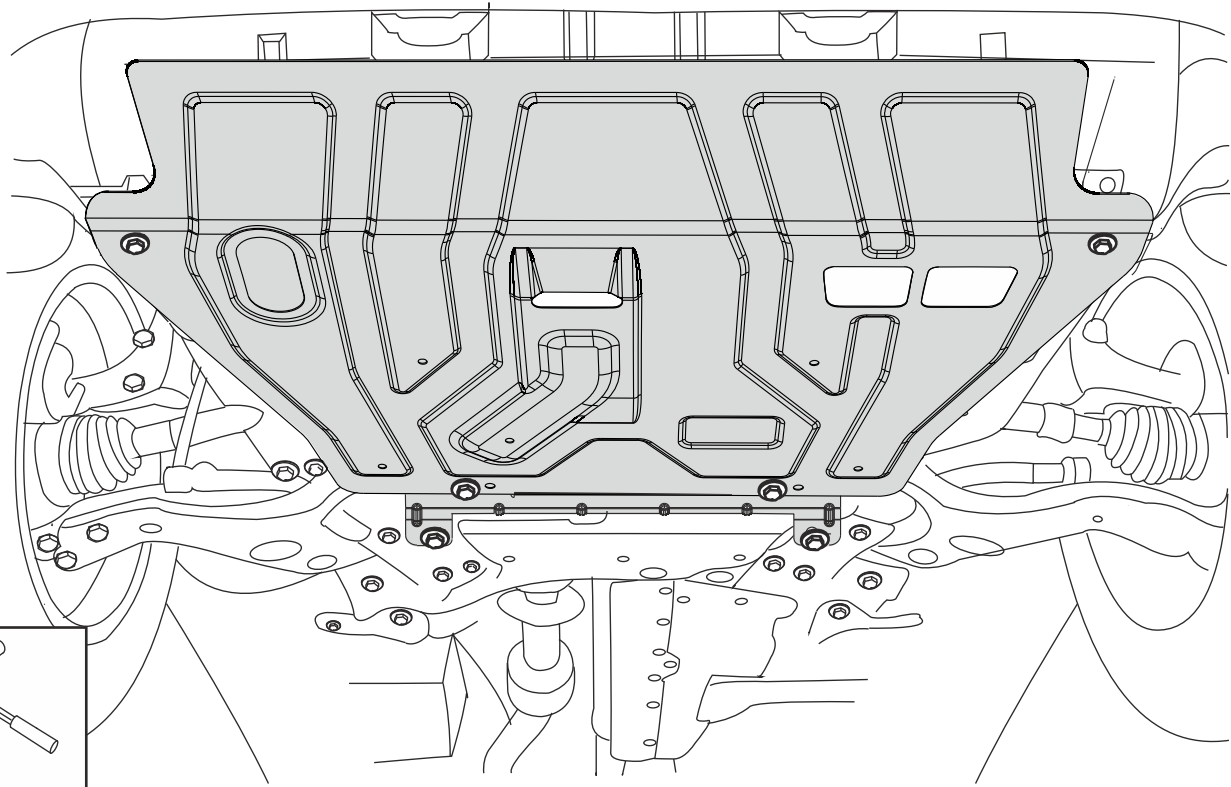
3



4



5



M10= 47 Nm