

# Installation instructions for KZNG5-02670-00, KZNG5-02671-00 Under Run Protective Shield Engine Bay and Transmission Case

## LEXUS NX200T



Model Year: **2014 -**

Vehicle Code: **AGZ15L-AWTLTW**

Part Number: **Steel: KZNG5-02670-00  
Aluminium: KZNG5-02671-00**



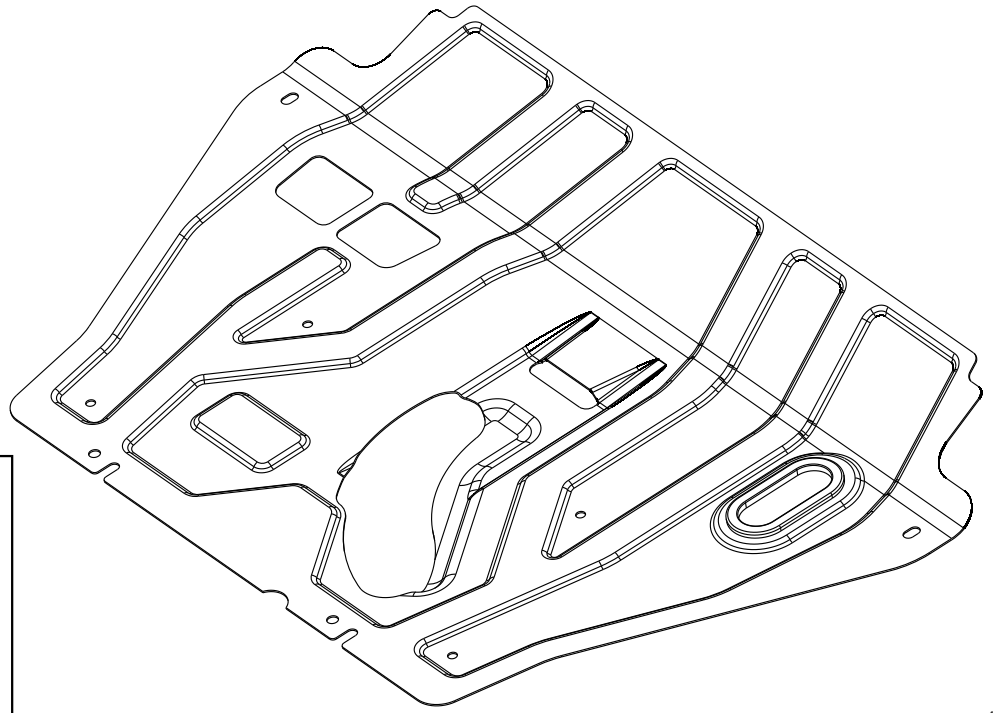
Weight: **Steel: 9,26 kg  
Aluminium: 5,98 kg**



Installation Time: **30 min**

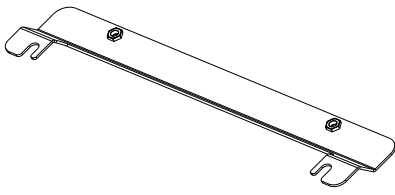
KZNG5-02670-00, KZNG5-02671-00

**A**



1x

**F**



1x

KZNG5-08760-60

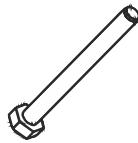
**B1**



M10x20

2x

**B2**



M10x100

2x

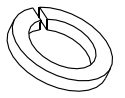
**C1**



Ø 10

4x

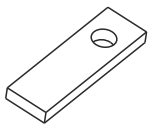
**C2**



Ø 10G

4x

**D**

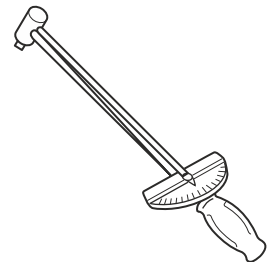
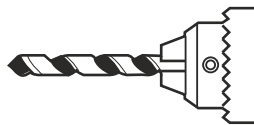
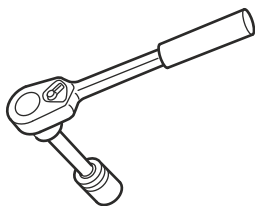


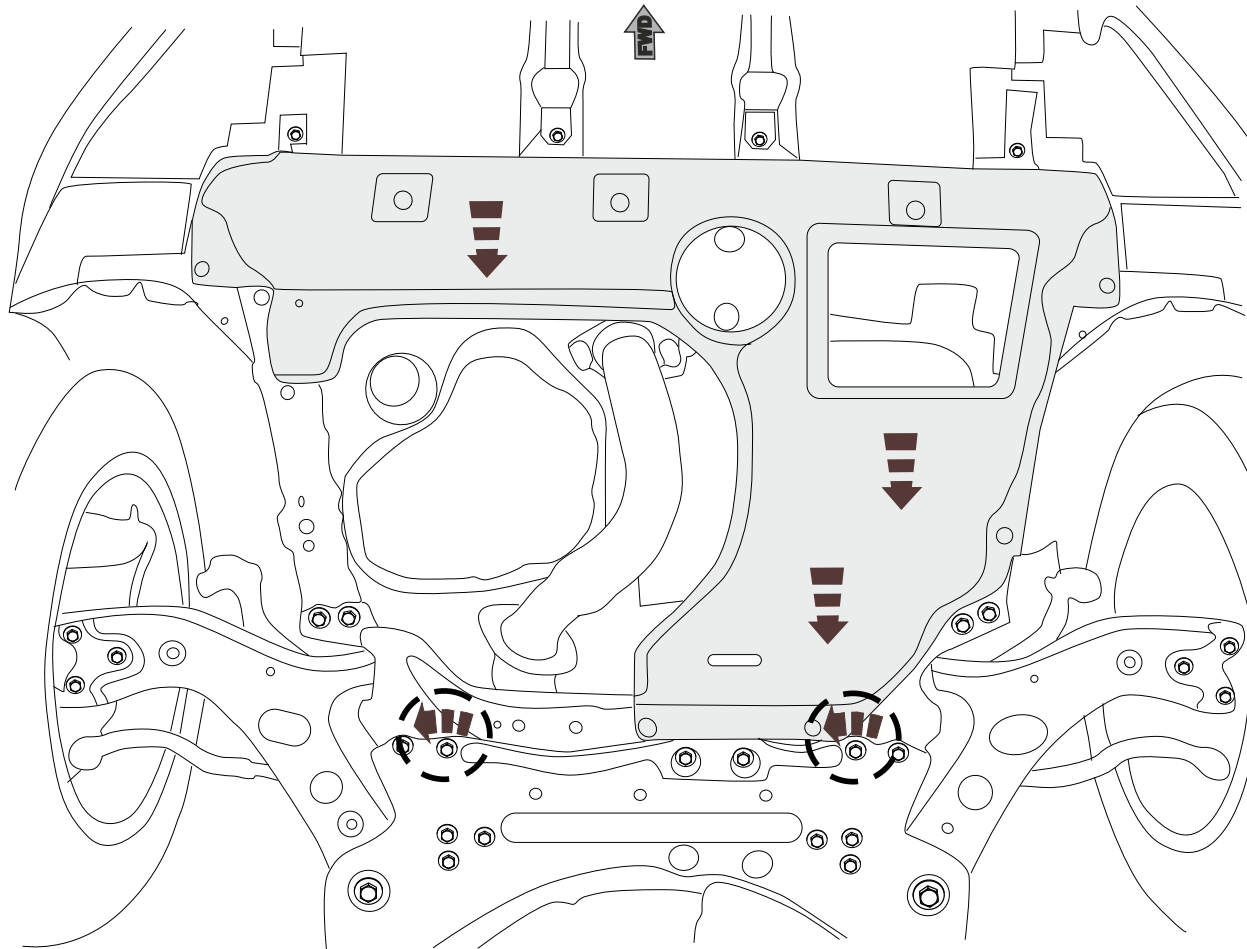
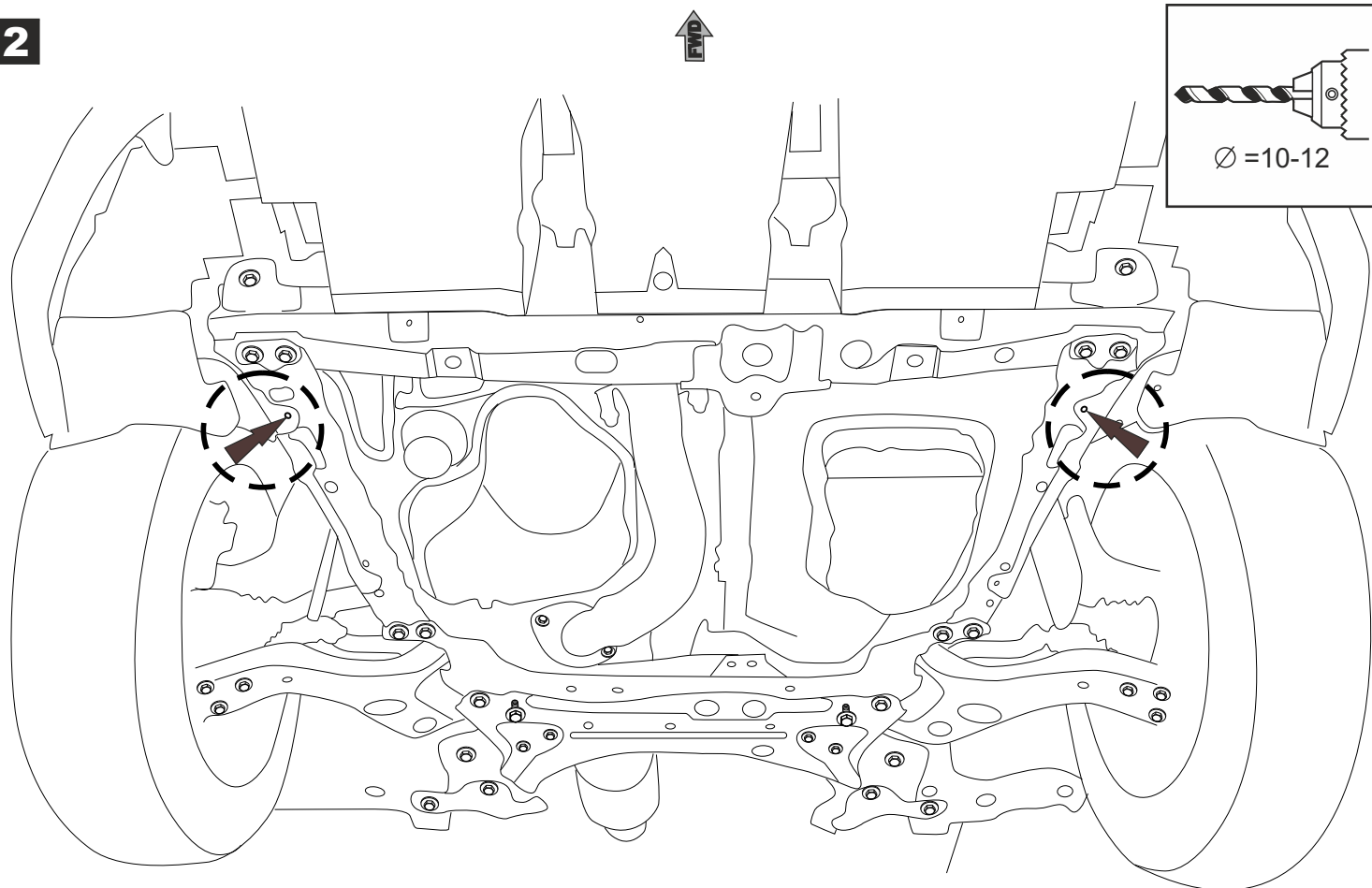
2x

**E**

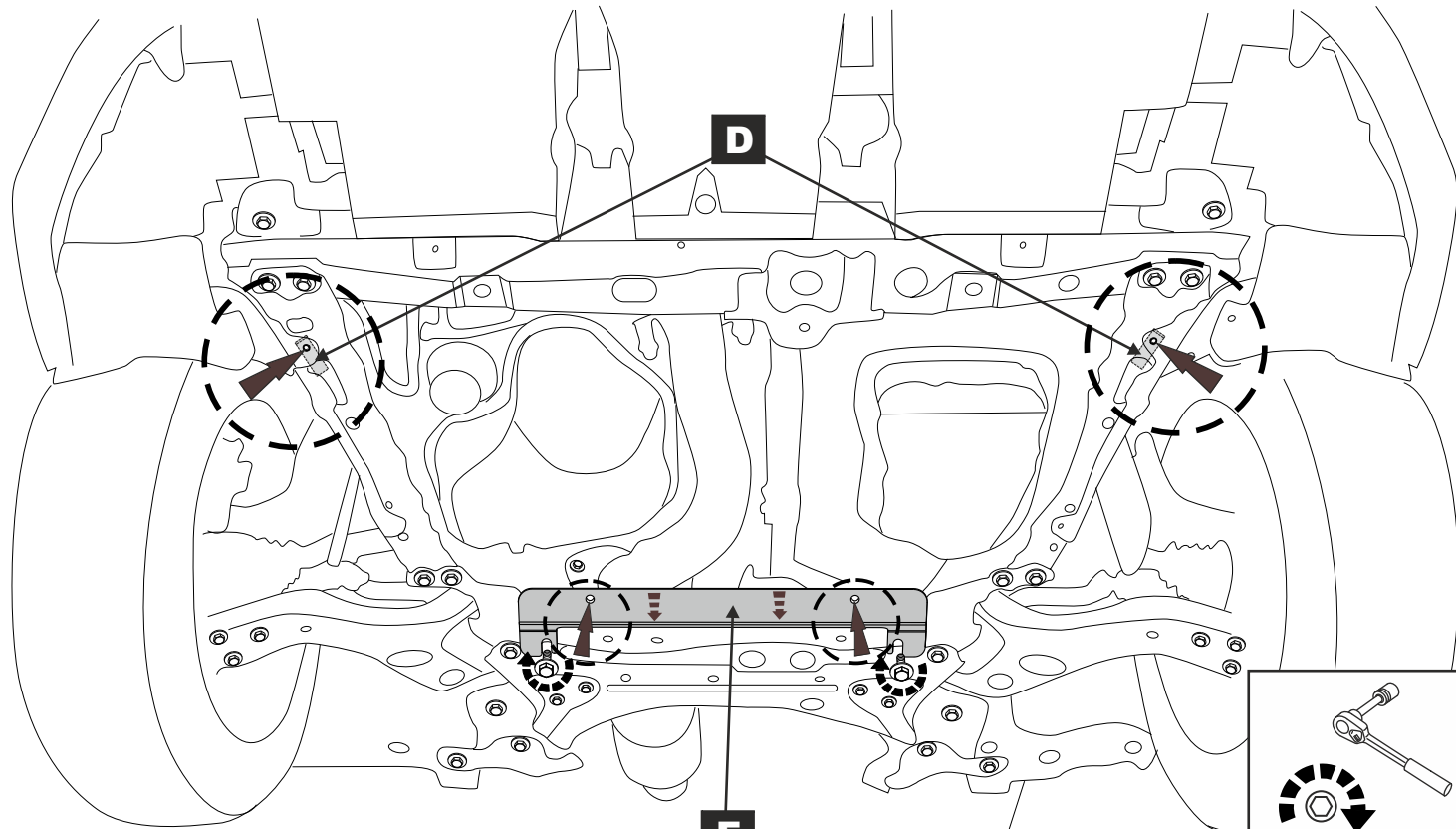


2x



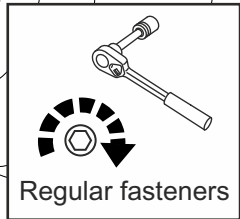
**1****2**

3

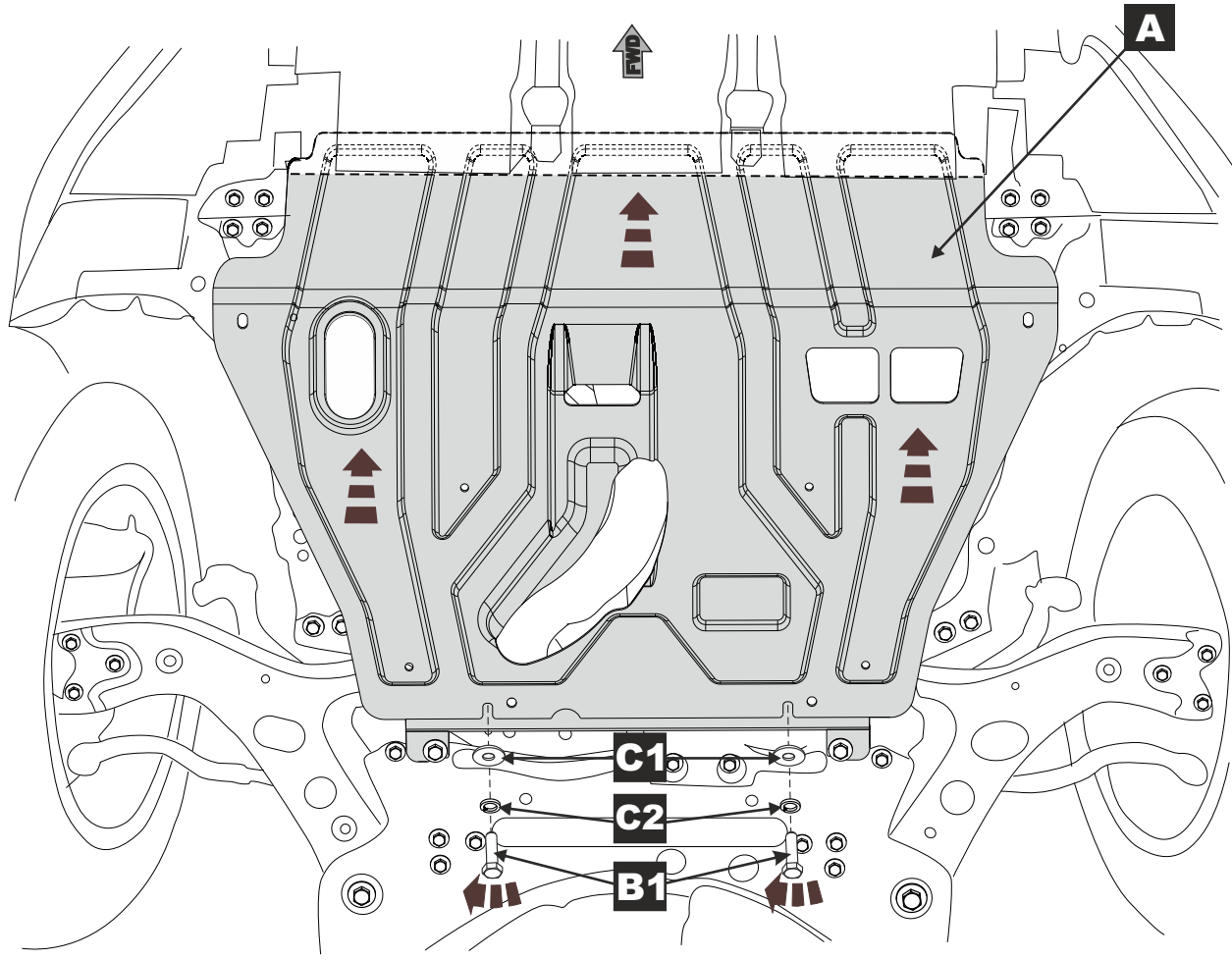


D

F



4

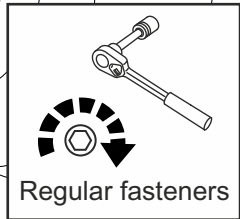


A

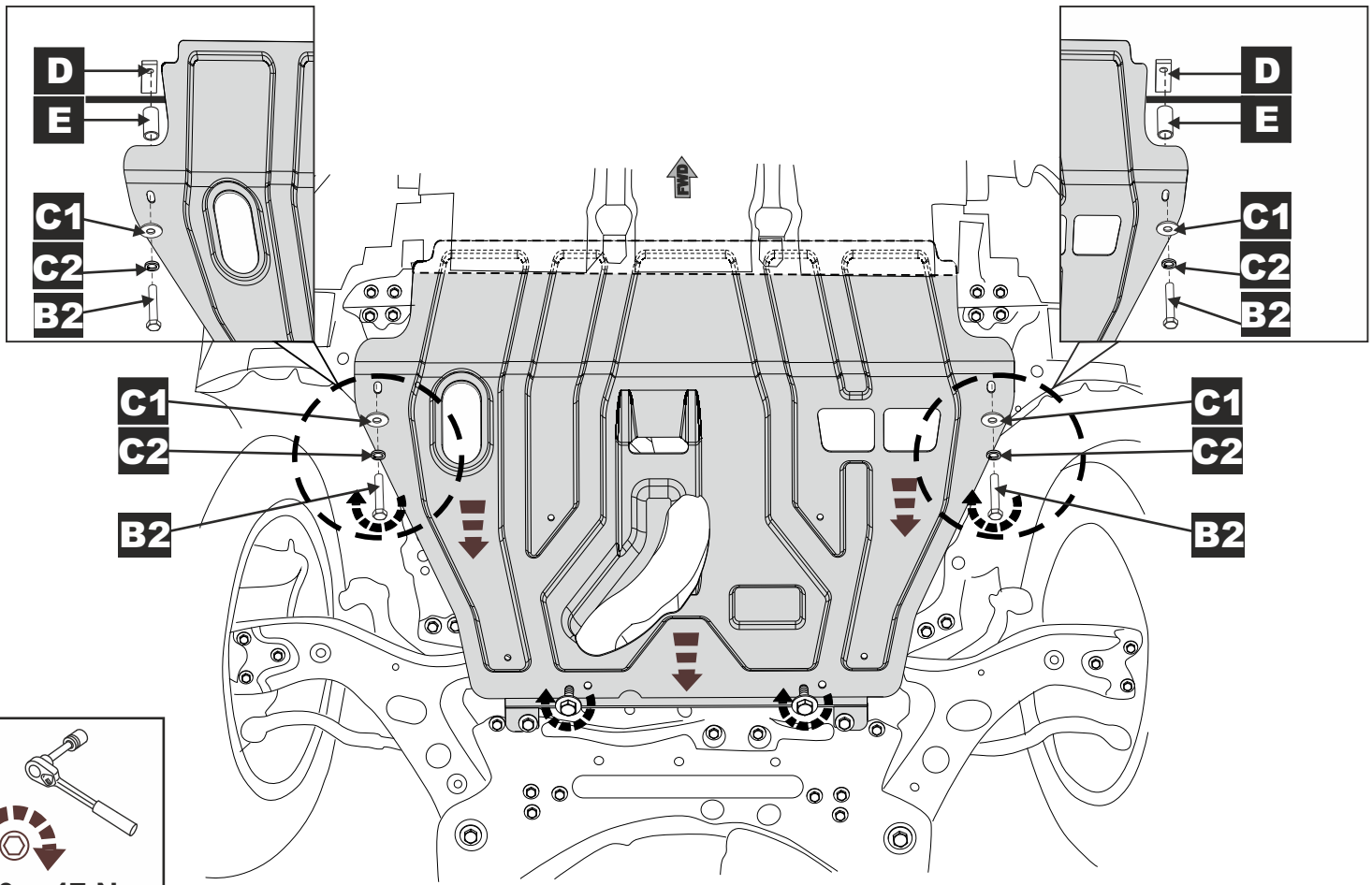
C1

C2

B1



5



6

