

Installation instructions for KZNG5-2932-00, KZNG5-2933-00
Under Run Protective Shield Engine Bay

TOYOTA Hilux



TOYOTA Fortuner



Model year:

Applicability:

Part Number:



Weight:



Installation Time:

Hilux

2015-

GUN125L-DTFSHW;
GUN125L-DTFMHW
GUN126L-DTTMHW;
GUN126L-DTTHHW

Fortuner

2017-

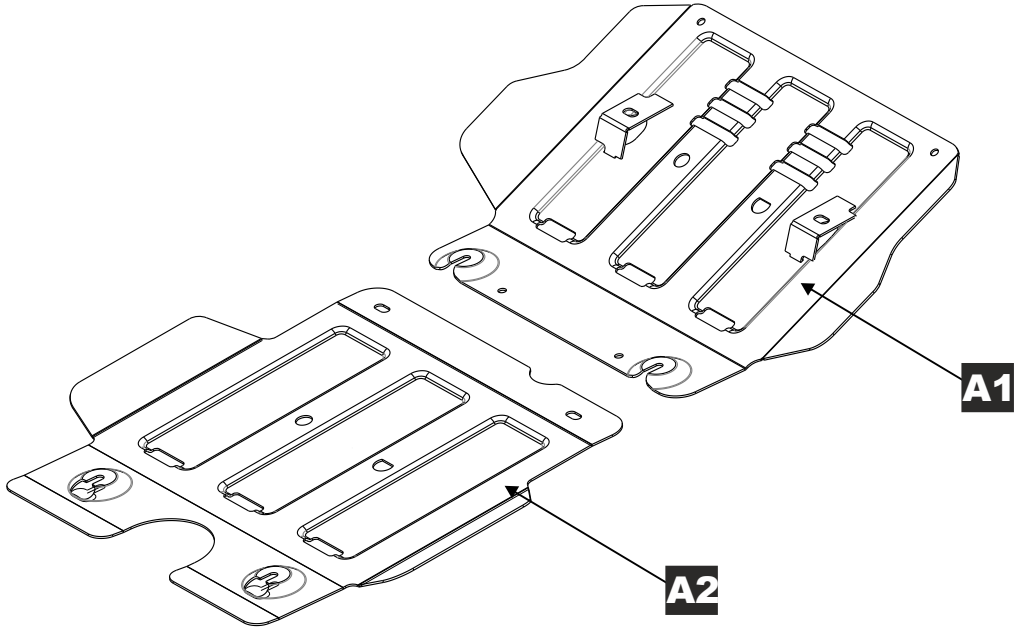
GUN156L-STTMH
GUN156L-STTSH
TGN156L-STTSKK
TGN156L-STMLKK

Steel: PZ4AL-02932-00
Aluminium: PZ4AL-02933-00

Steel: 10.93 kg
Aluminium: 6.01 kg

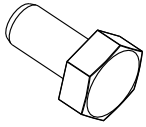
30 min

KZNG5-02932-00, KZNG5-02933-00



KZNG5-02932-60

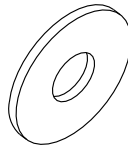
B



M8x30

6x

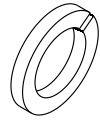
C



d=8

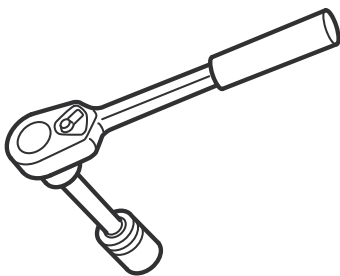
6x

D



d=8

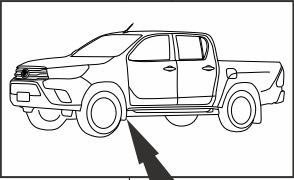
6x



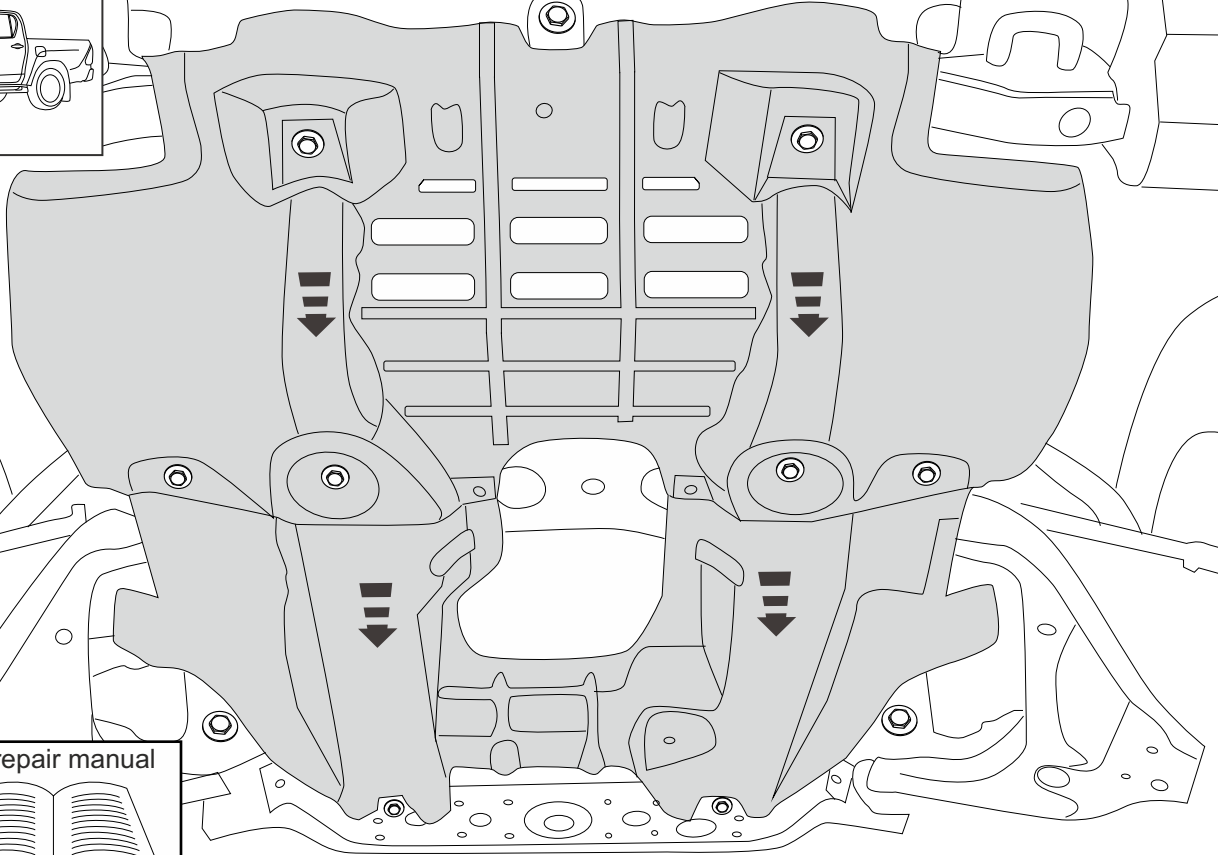
13 mm



1



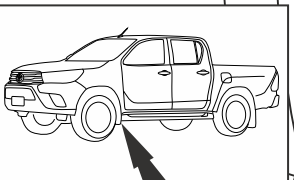
FWD ↑



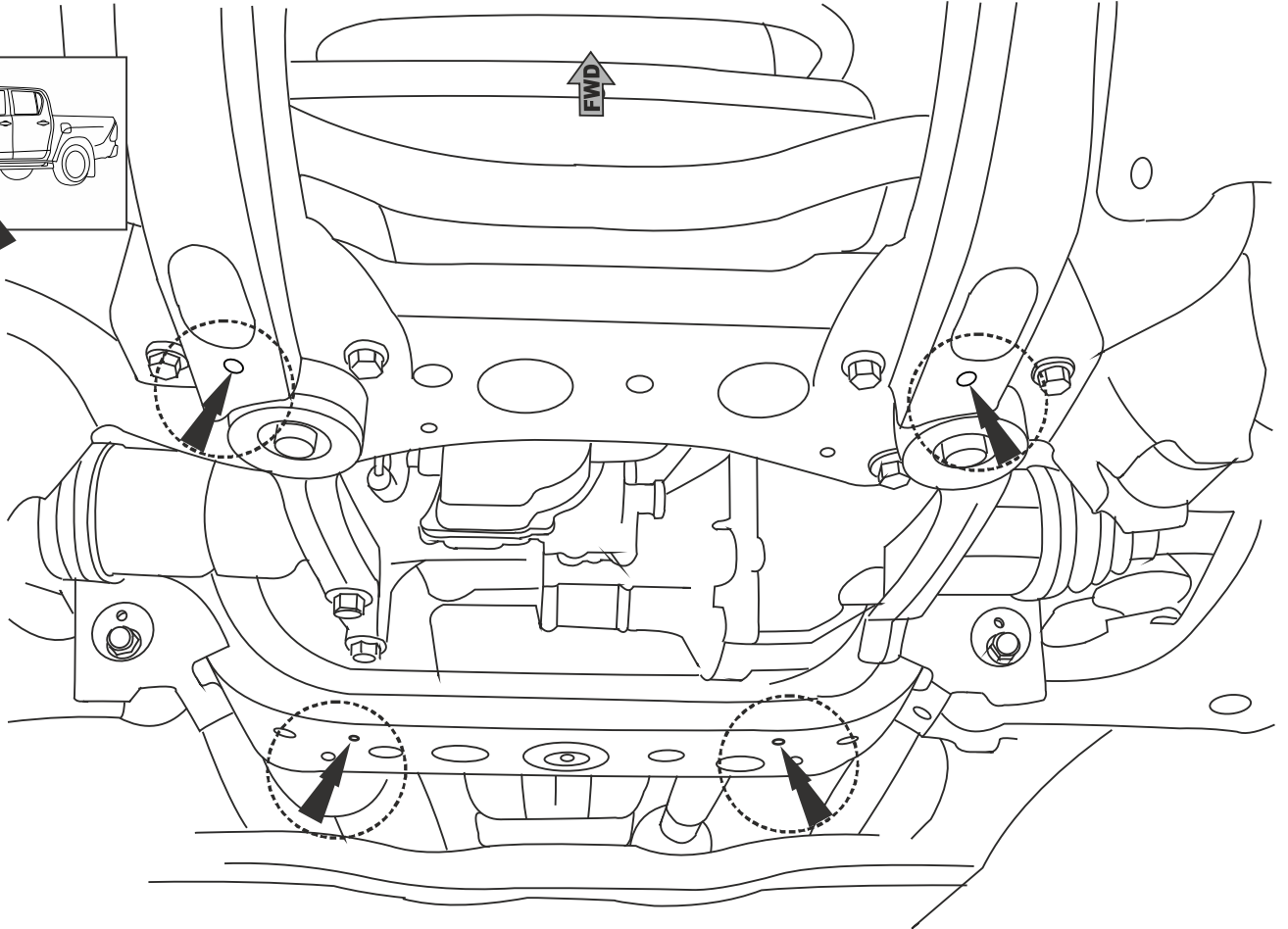
see repair manual



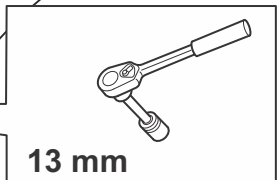
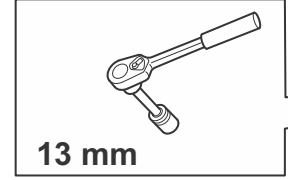
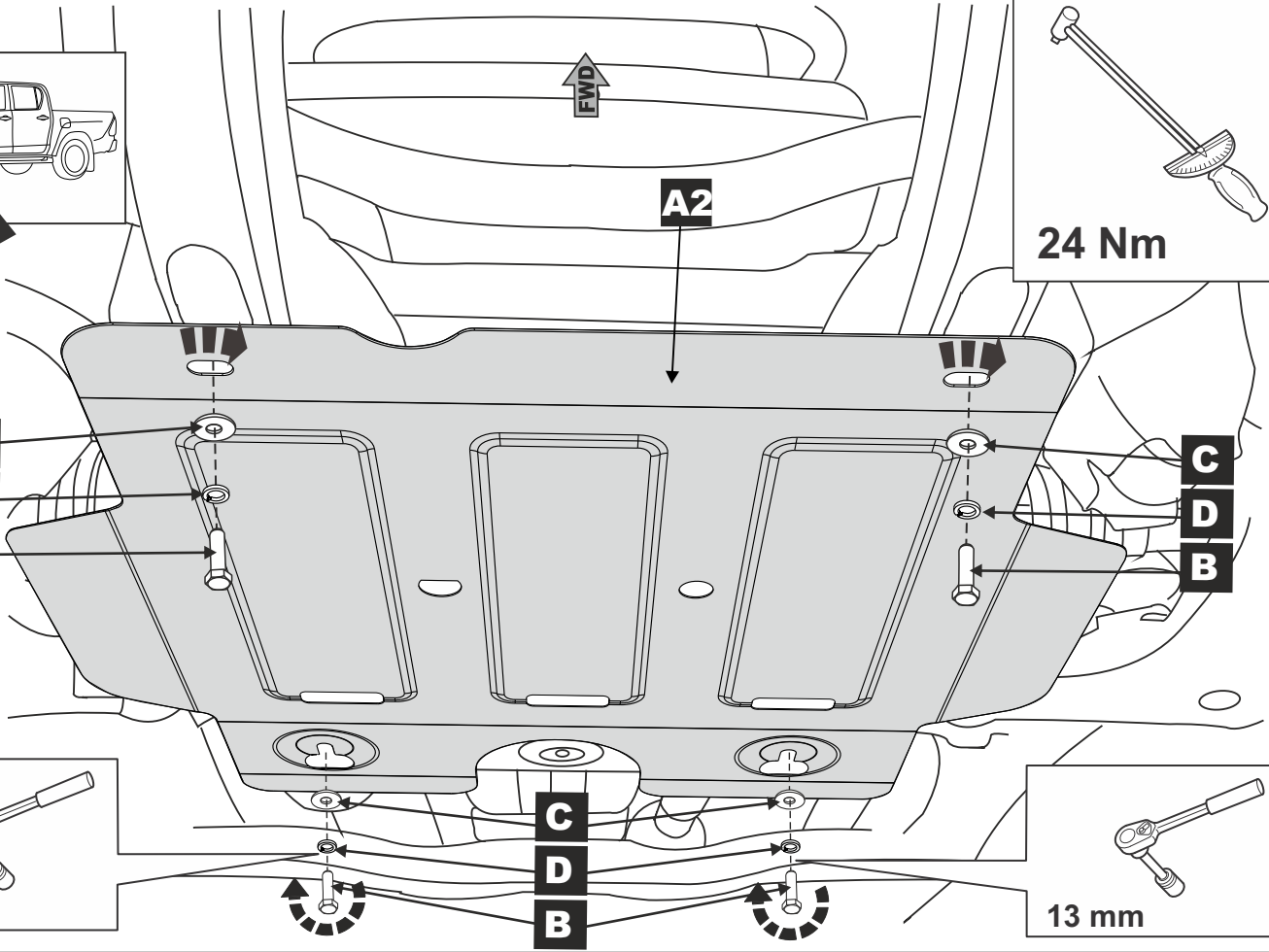
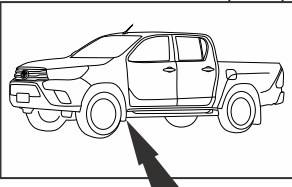
2



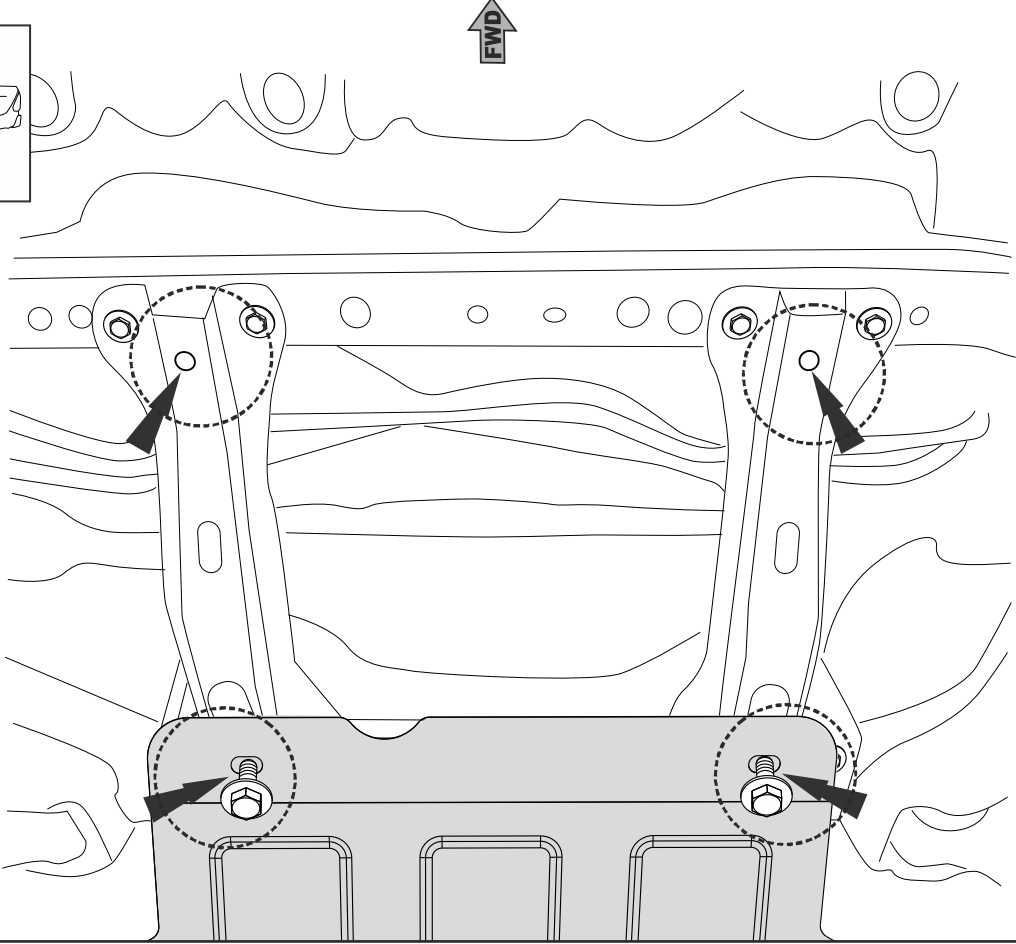
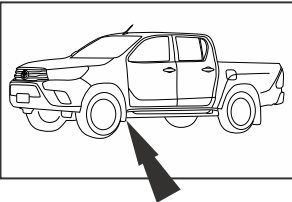
FWD ↑



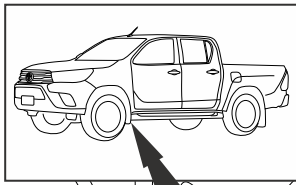
3



4



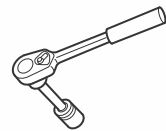
5



FWD ↑

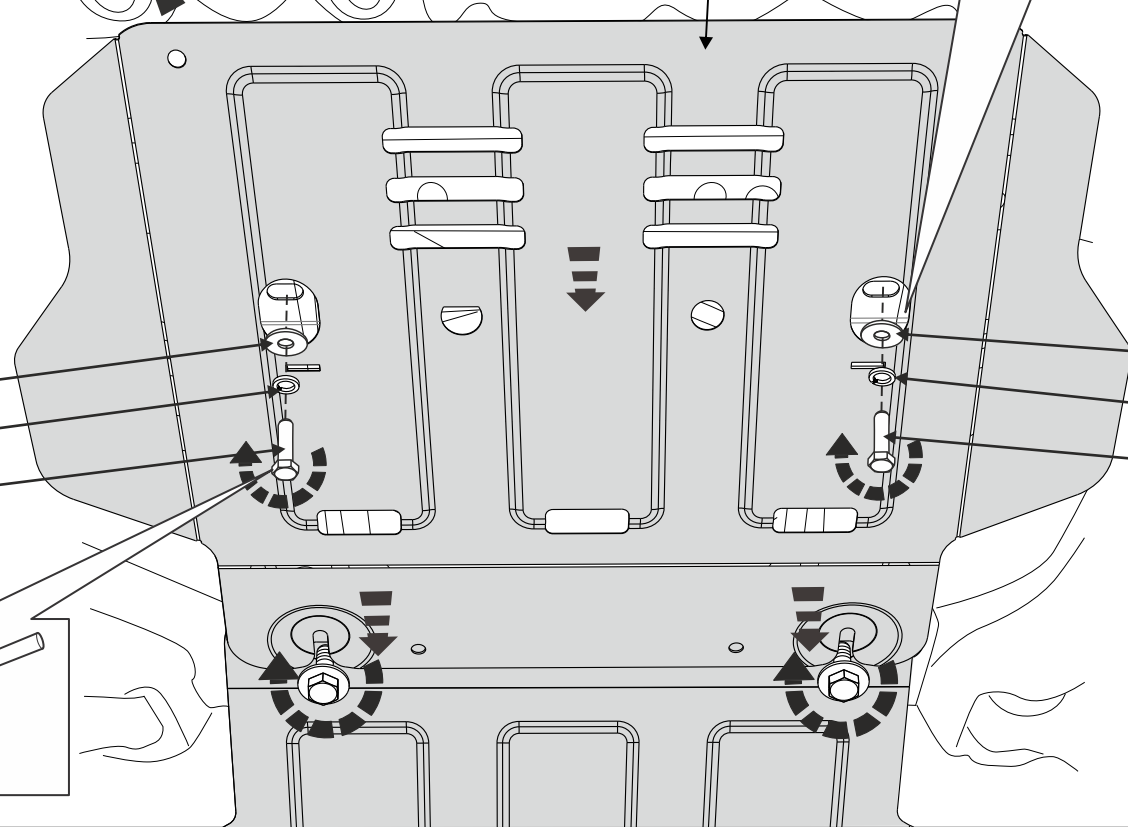
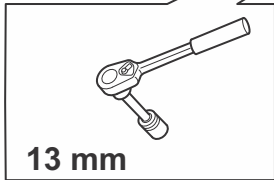
A1

13 mm

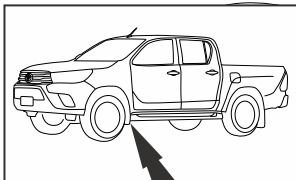


C
D
B

C
D
B



6



FWD ↑

