

Installation instructions for KZNG5-01567-00

Under Run Protective Shield Automatic Transmission Case


LEXUS LS



Model Year: **LS 460 AWD - 2006 - 2012** **LS 460L AWD - 2006 - 2012** **LS 600h L - 2006 - 2012 -**

Vehicle Code: **USF45L-AEZGHW** **USF46L-AEZGHW** **UVF46L-AEXGHW**

Part Number: **KZNG5-01567-00**

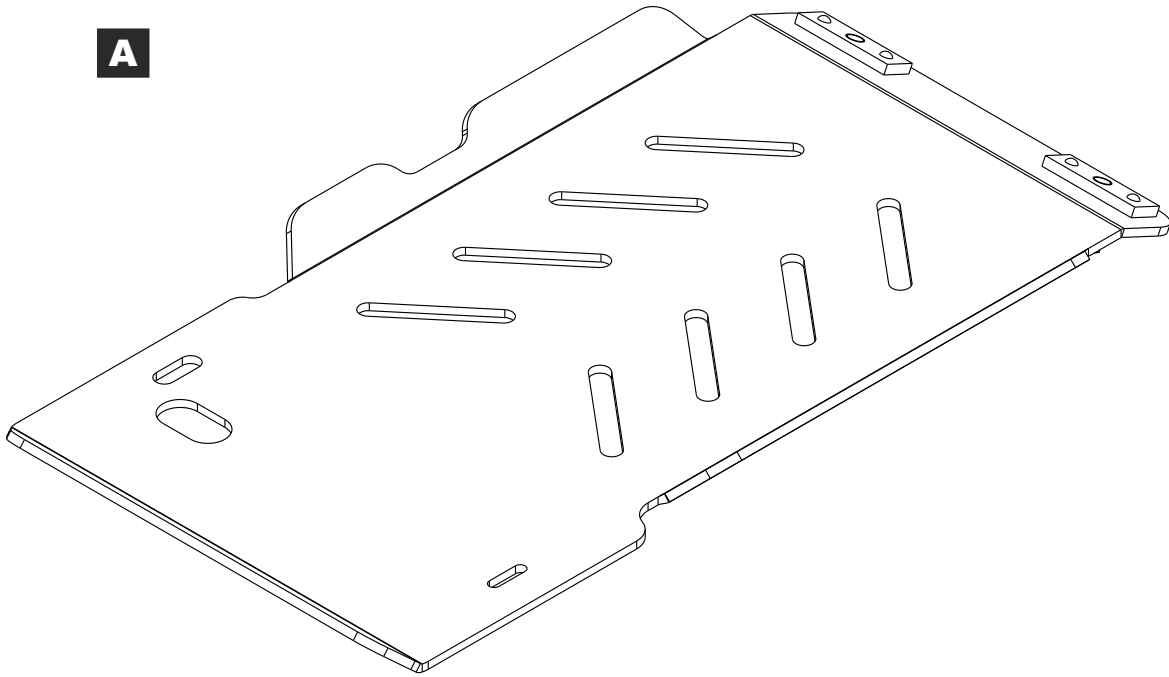
 Weight: **2,65 kg**

 Installation Time: **15 min**

Manual reference number: **AIM 001 634-0**

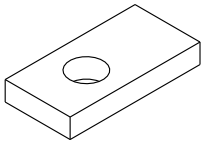
Part number: KZNG5-01567-00

A



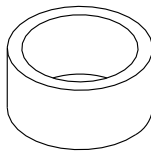
KZNG5-01567-60

B



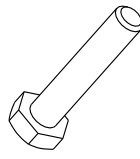
x1

C



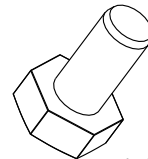
x1

D1



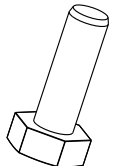
x1 M6x30

D2



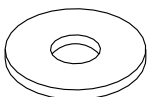
x1 M10x20

D3



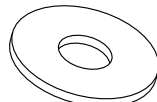
x2 M10x30

E1



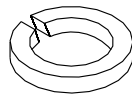
x1 Ø6

E2



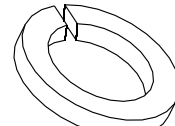
x3 Ø10

F1

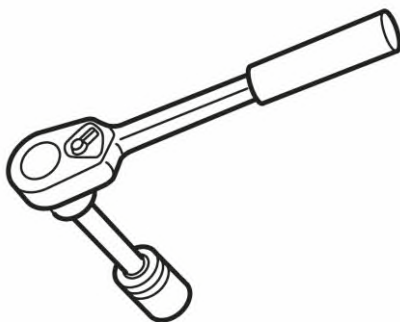


x1 Ø6

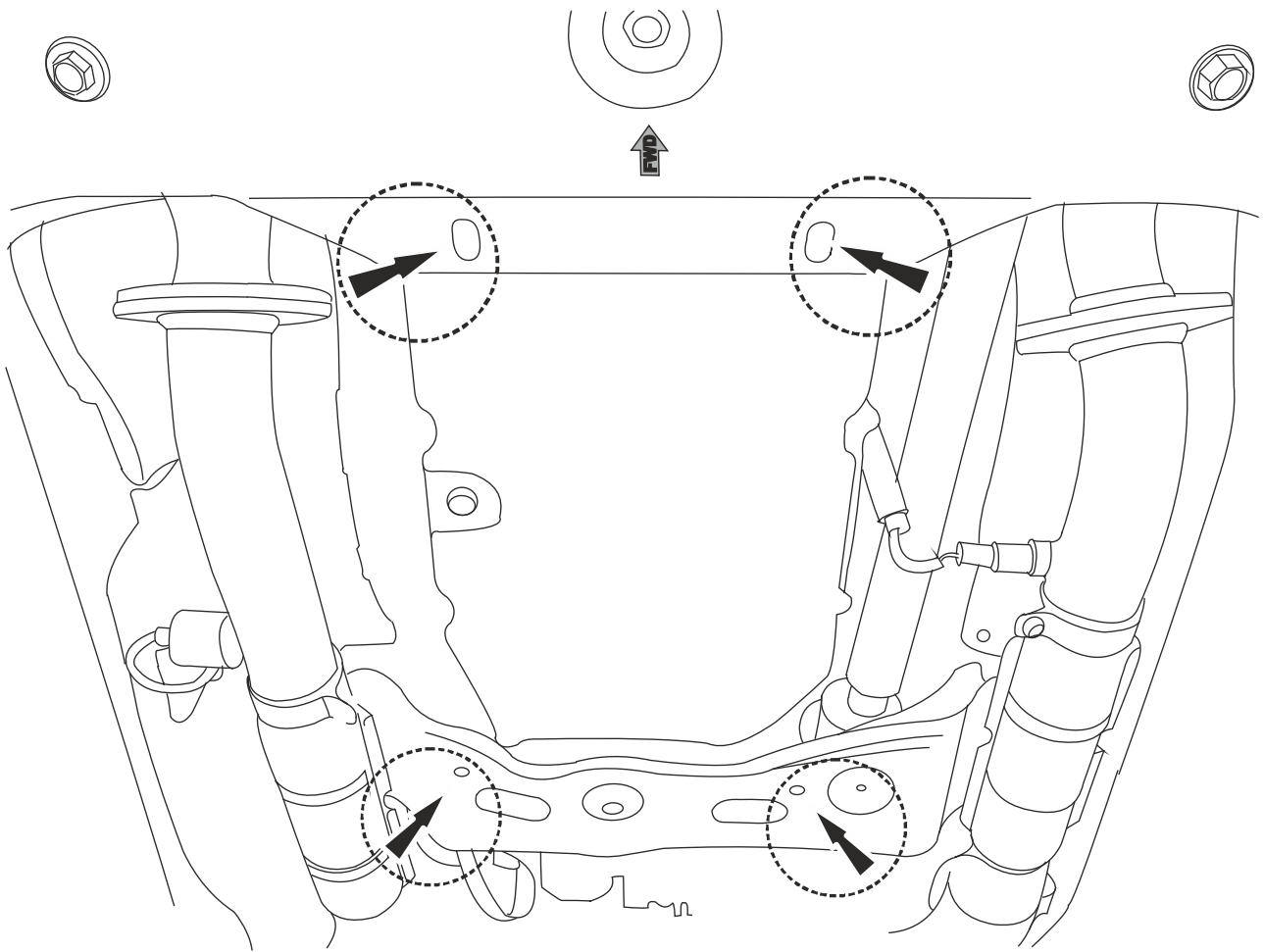
F2



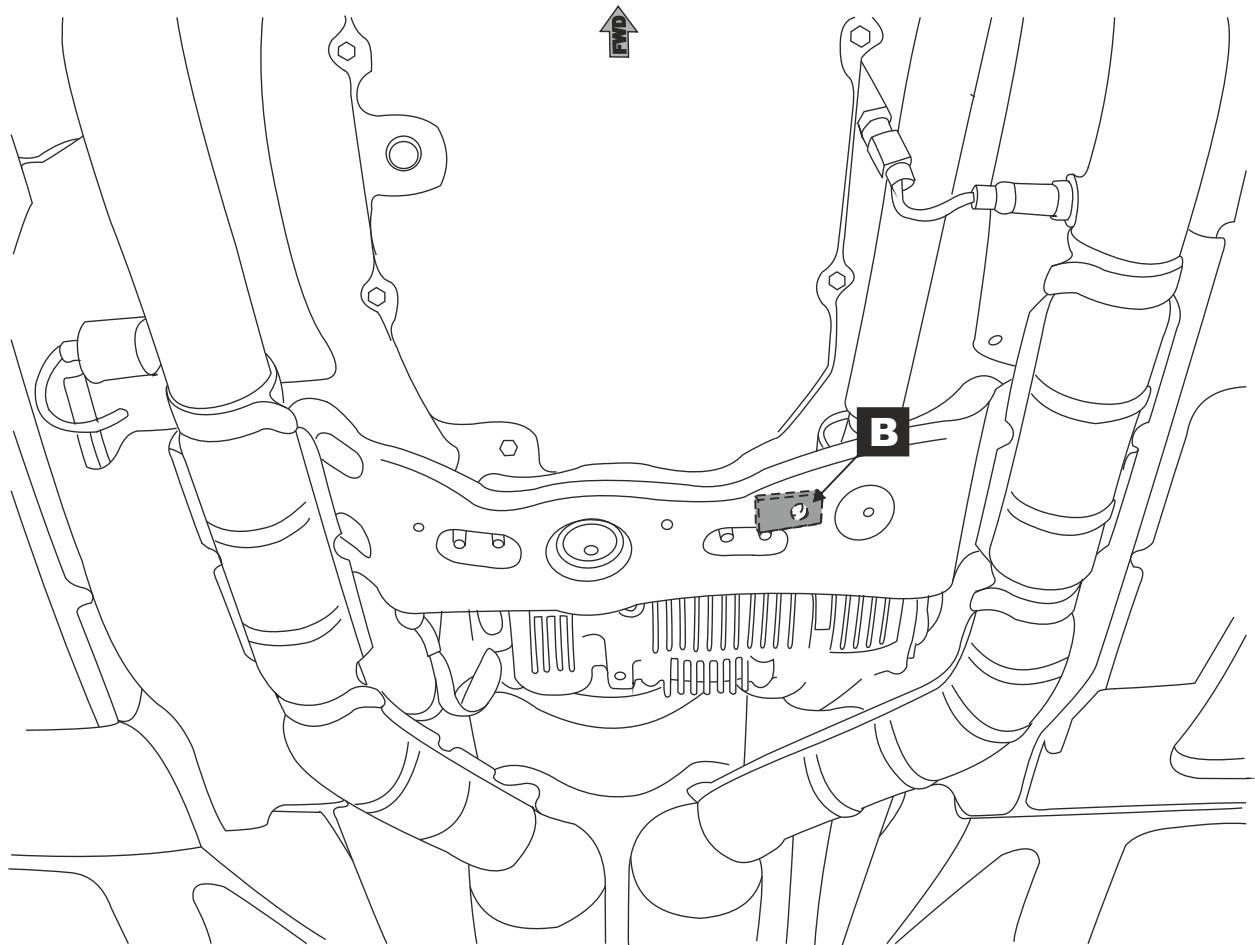
x3 Ø10G



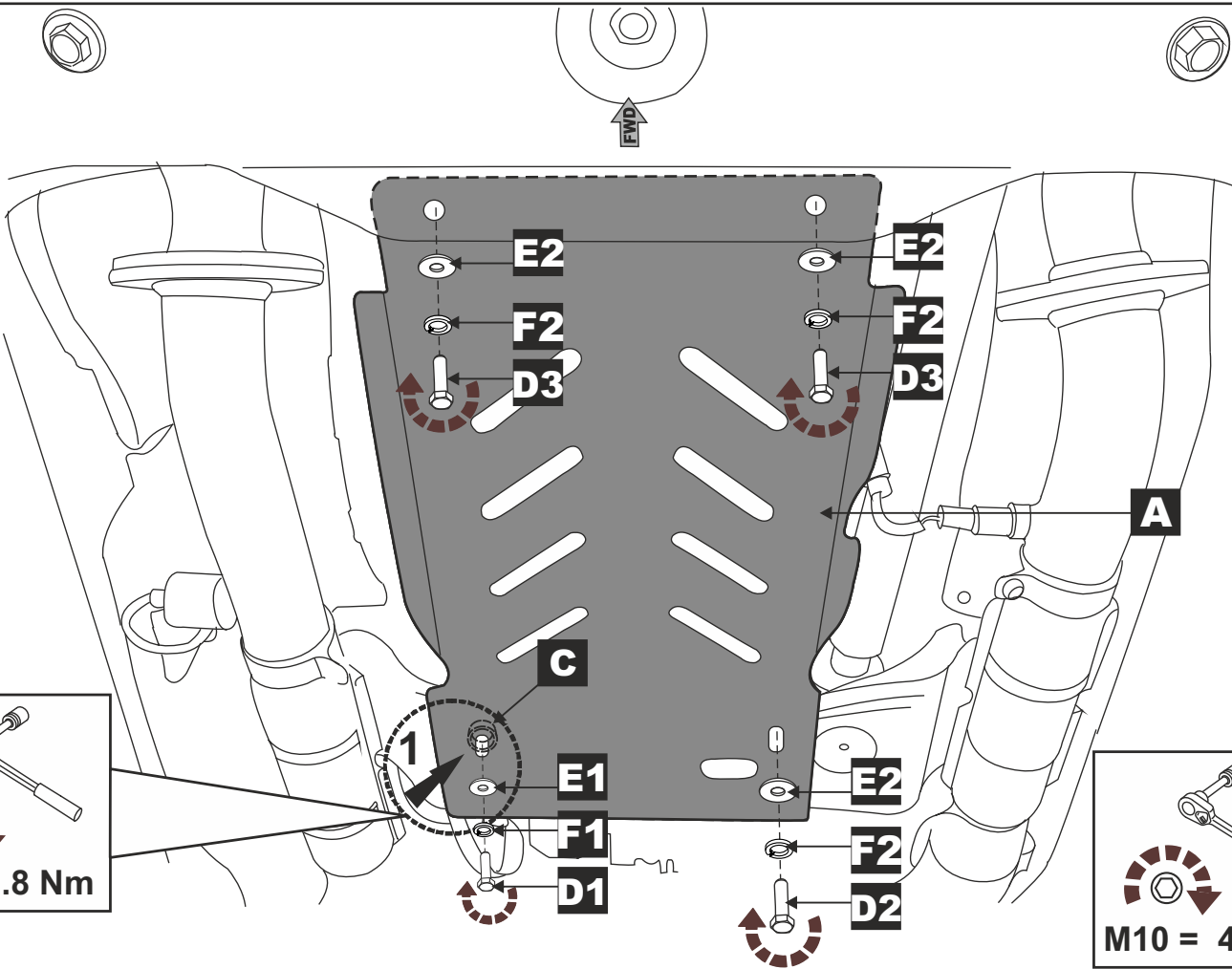
1



2



3



1

M6 = 9.8 Nm

M10 = 47 Nm

4

