

Installation instructions for KZNG5-01271-00
Under Run Protective Shield Transmission Case

LEXUS LX 570

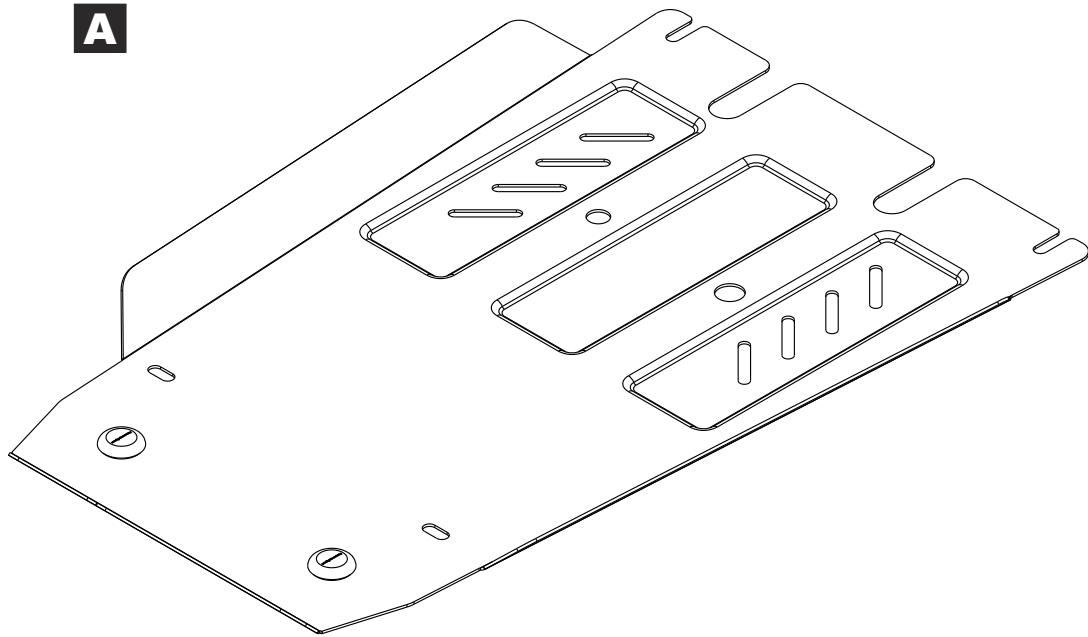


TOYOTA LAND CRUISER 200



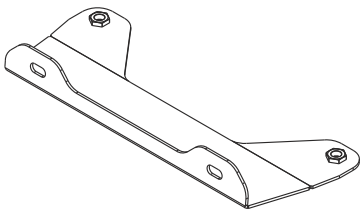
Model Year	LX 570 - 2010 - 2011	LC200 - 2007	LC200MC - 2012
Vehicle Code	URJ201L-GNTGKW	UZJ200L-GNAEKW VDJ200L-GNTEZW	URJ202L-GNTEKW VDJ200L-GNTEZW
Part Number			Steel: KZNG5-01271-00
 Weight			Steel: 9,0 kg
 Installation Time			10 min
Manual reference number			AIM 001-098-1

Part number: KZNG5-01271-00



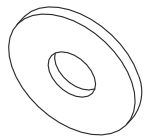
KZNG5-01276-60

B



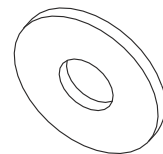
x1

C1



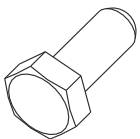
x2 \varnothing 8

C2



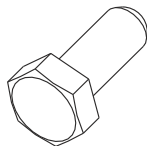
x2 \varnothing 10

D1

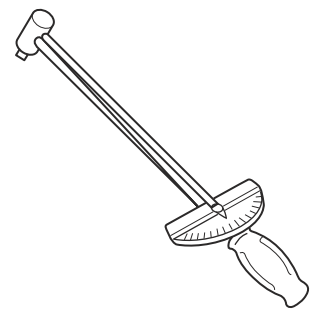
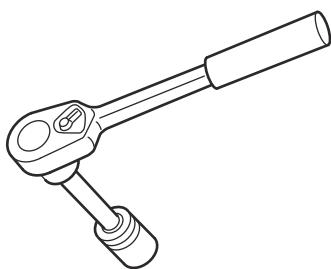


x2 M 8x20

D2



x2 M 10x30



Part number:
KZNG5-01271-00

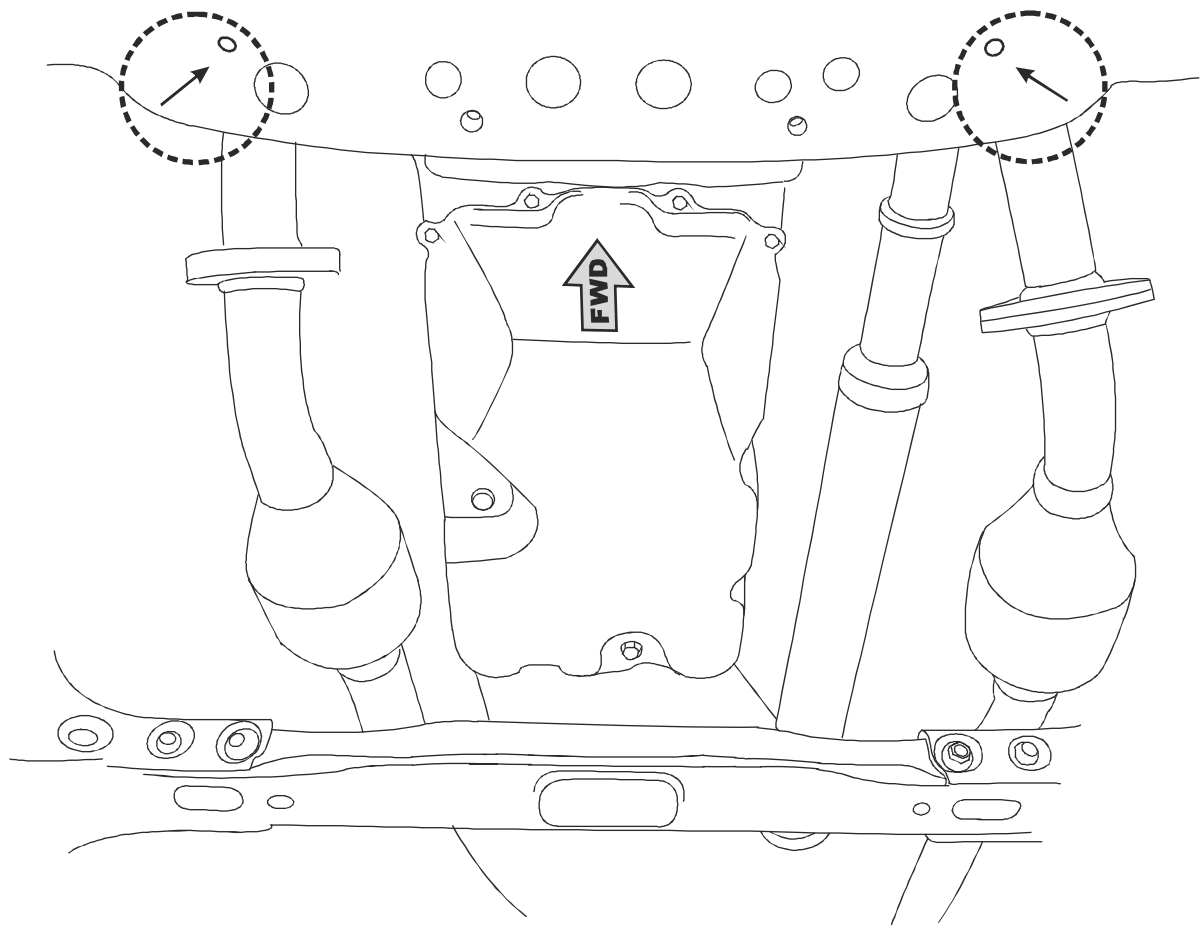
Issue:
1

Date:
21/09/12

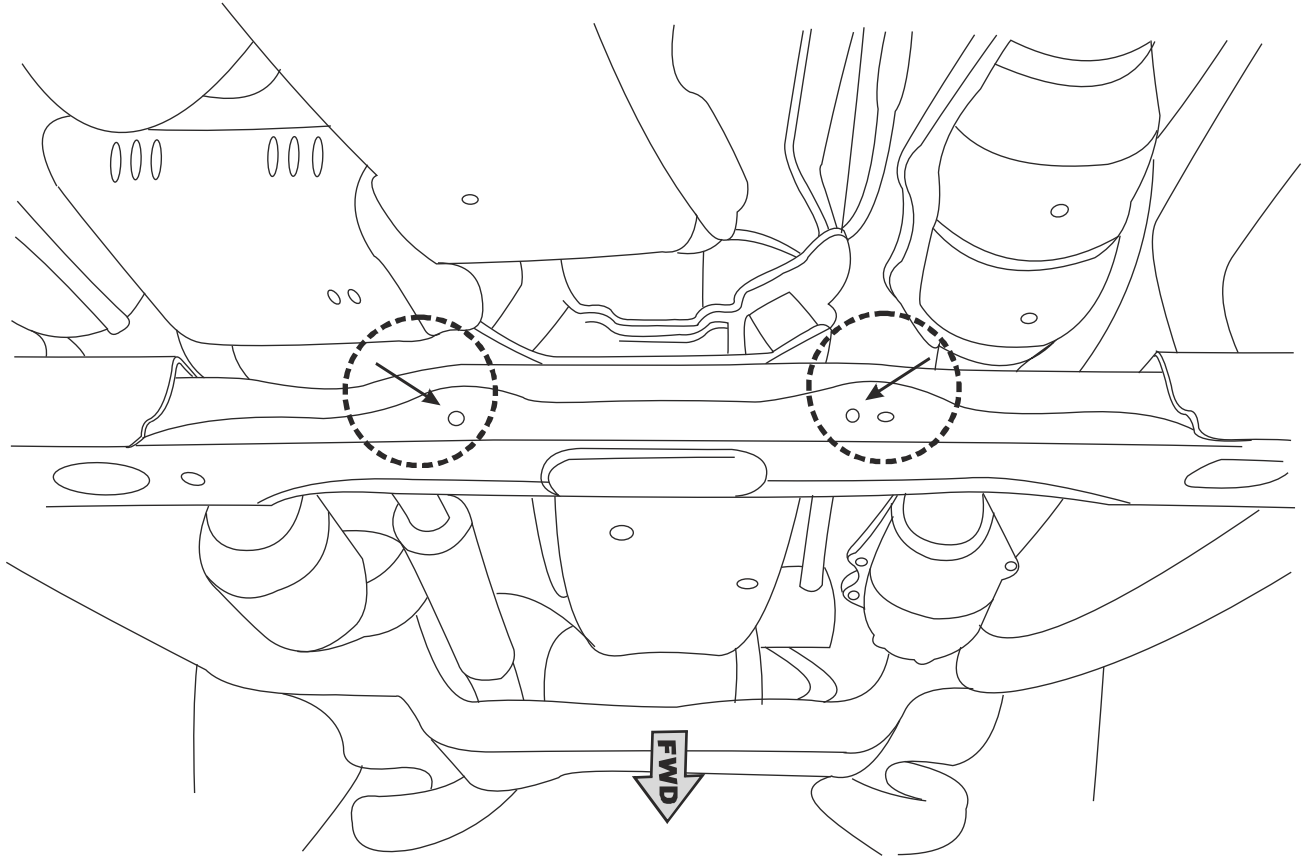
Manual reference number:
AIM 001-098-1

Page:
2/5

1



2



Part number:
KZNG5-01271-00

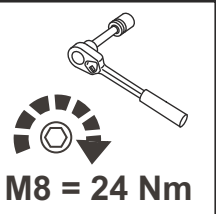
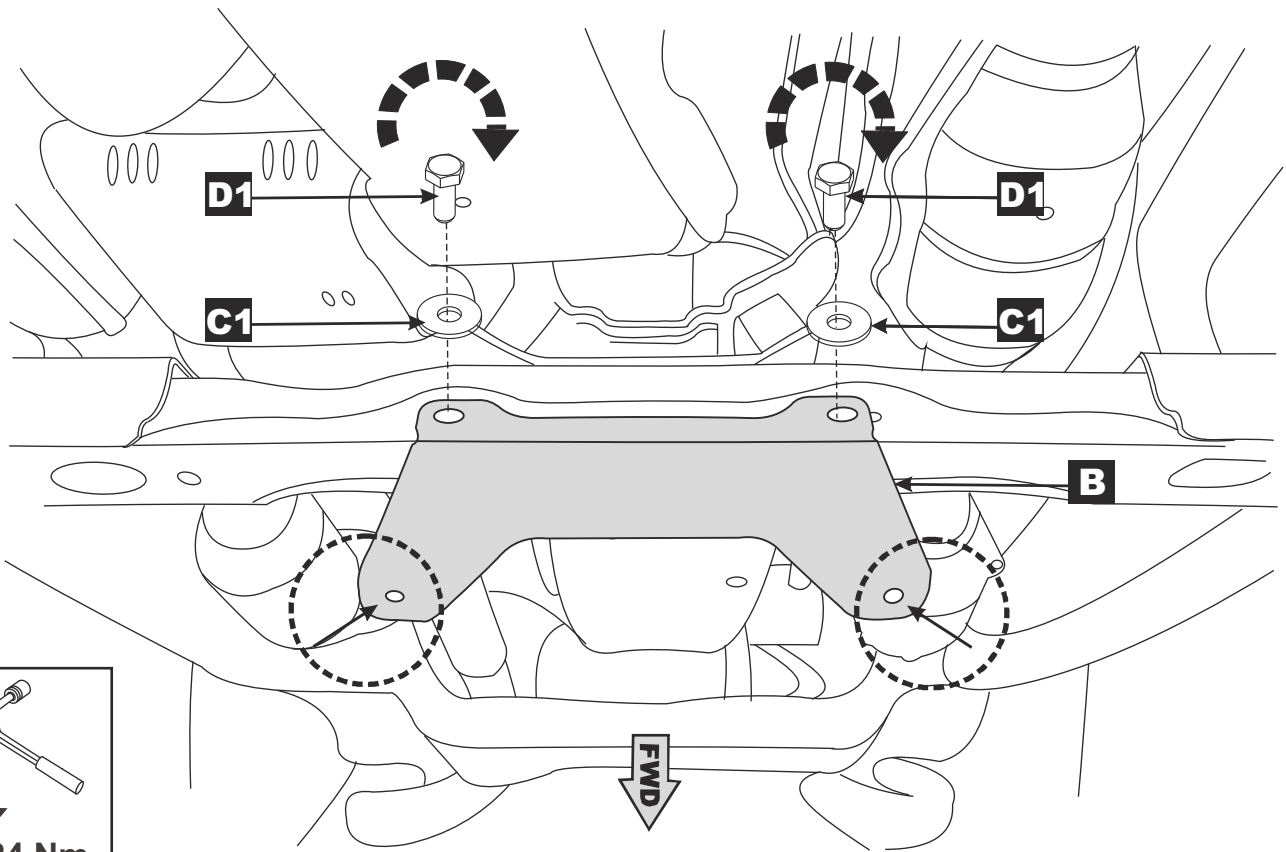
Issue:
1

Date:
21/09/12

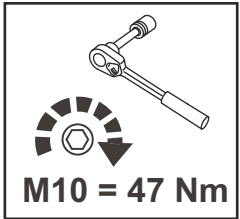
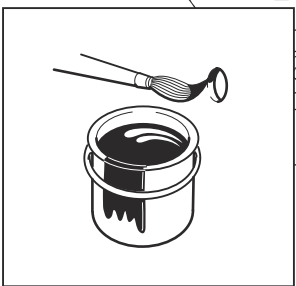
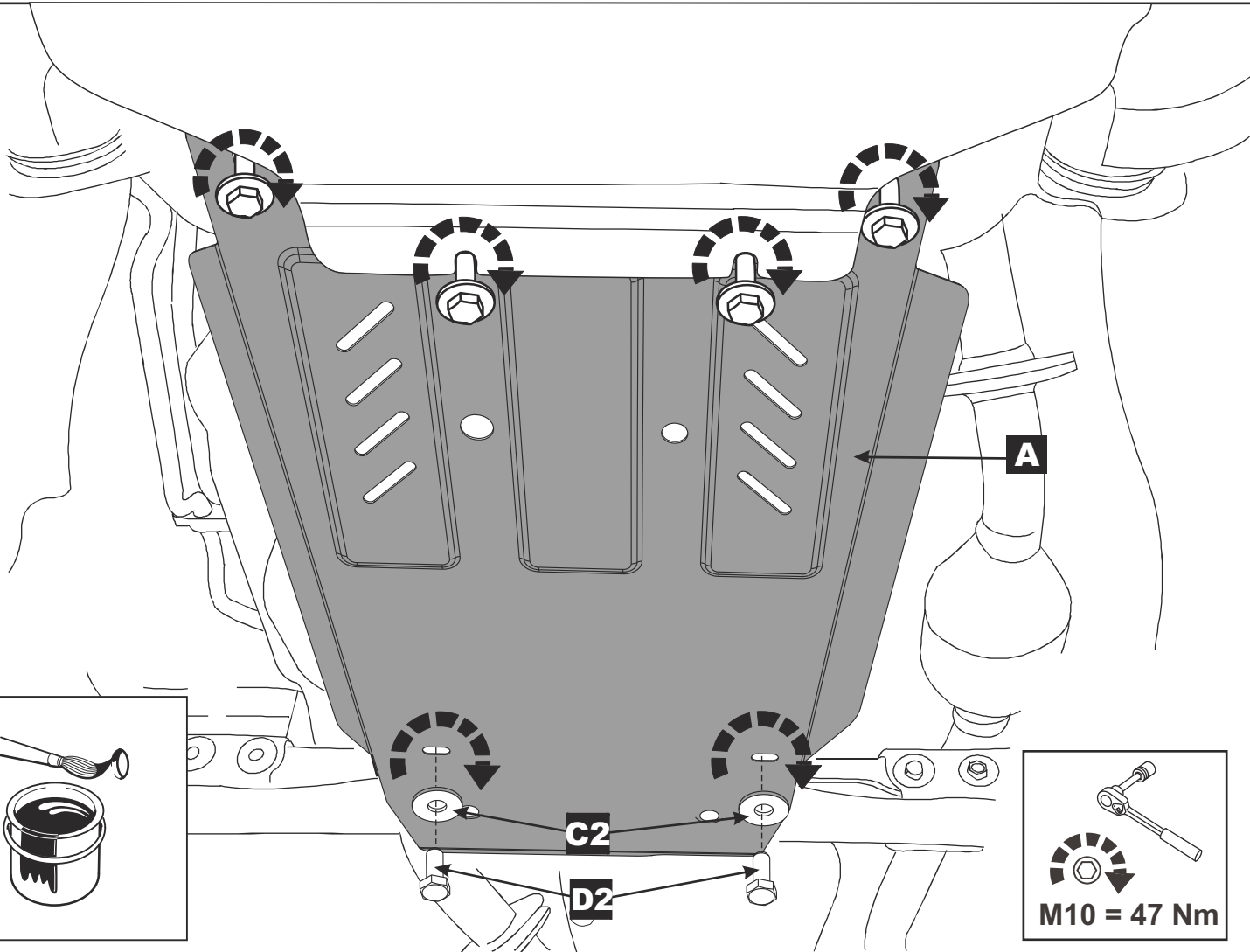
Manual reference number:
AIM 001-098-1

Page:
3/5

3



4



Part number:
KZNG5-01271-00

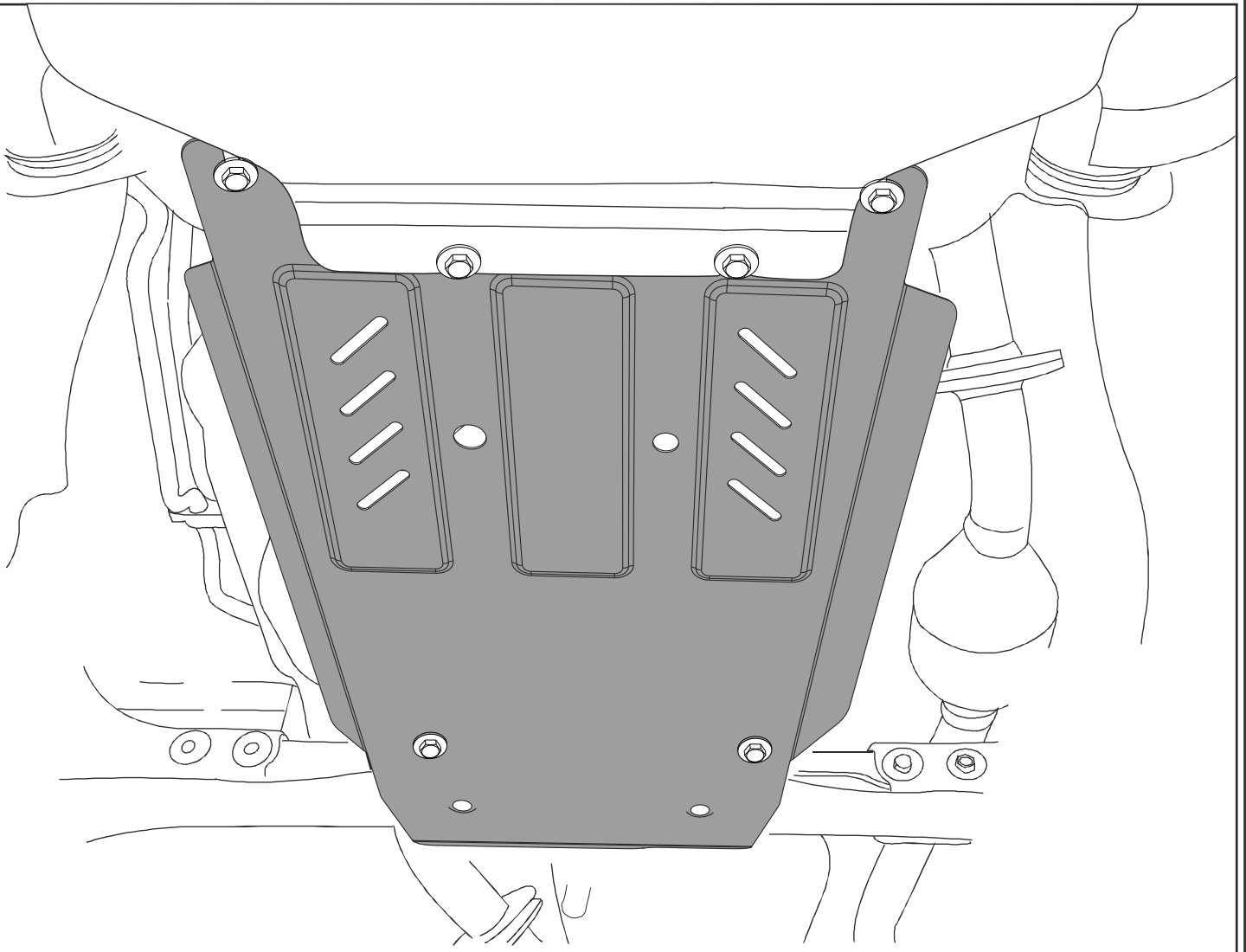
Issue:
1

Date:
21/09/12

Manual reference number:
AIM 001-098-1

Page:
4/5

5



Part number:
KZNG5-01271-00

Issue:
1

Date:
21/09/12

Manual reference number:
AIM 001-098-1

Page:
5/5