

Installation instructions for KZNG5-02123-00, KZNG5-02127-00
Under Run Protective Shield Engine Bay and Transmission Case

TOYOTA Camry



LEXUS ES



Model Year:	Camry - 2006	Camry - 2011	Camry - 2014	ES 200/250/350 - 2015 -
Vehicle Code:	ACV40L-REMKNW ACV40L-REANKW ACV40L-AEANKW GSV40L-RETGKW	ACV51L-REPNKX ASV50L-RETNKX ASV50L-AETNKX GSV50L-RETGKX	ASV50L-RETNKX	GSV40L-BETGKC ASV60L-BETGKW GSV60L-BETGKW AVV60L-BEXGBW
Part Number:				Steel: KZNG5-02123-00 Aluminium: KZNG5-02127-00



Weight:

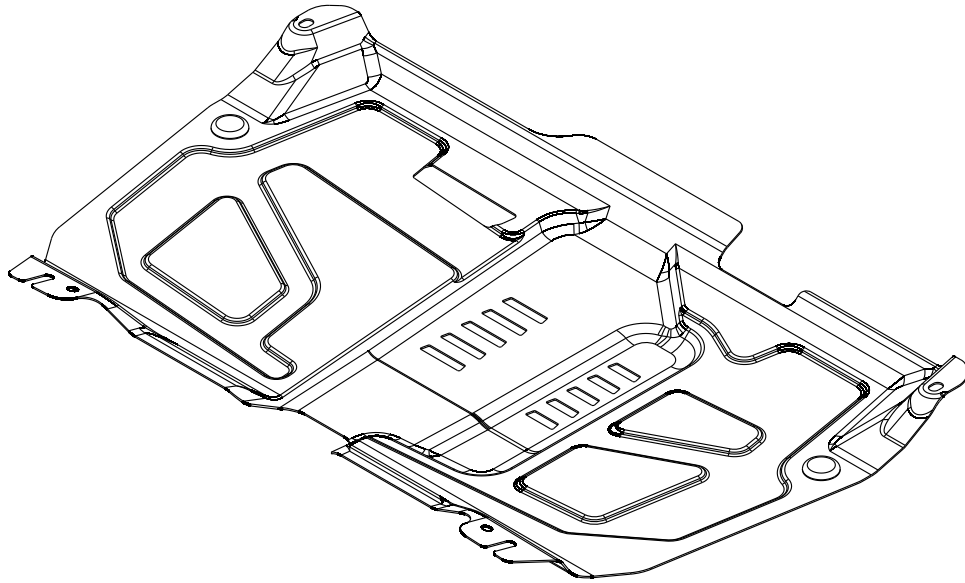
Steel: 7,6 kg
Aluminium: 4,6 kg



Installation Time:

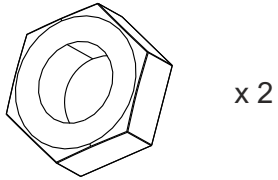
15 min

A



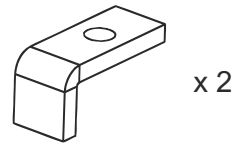
KZNG5-02123-60

B



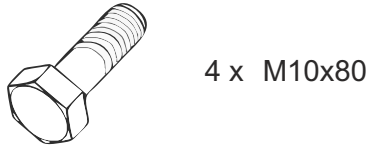
x 2

C



x 2

D

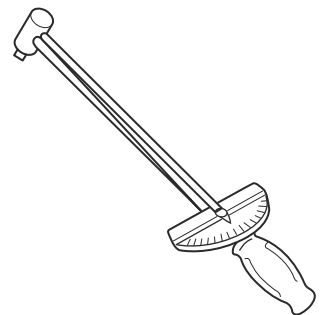
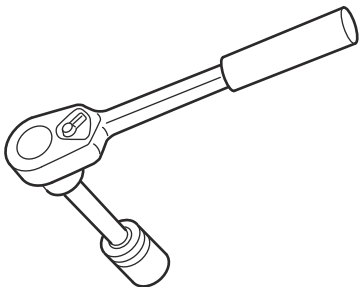


4 x M10x80

E



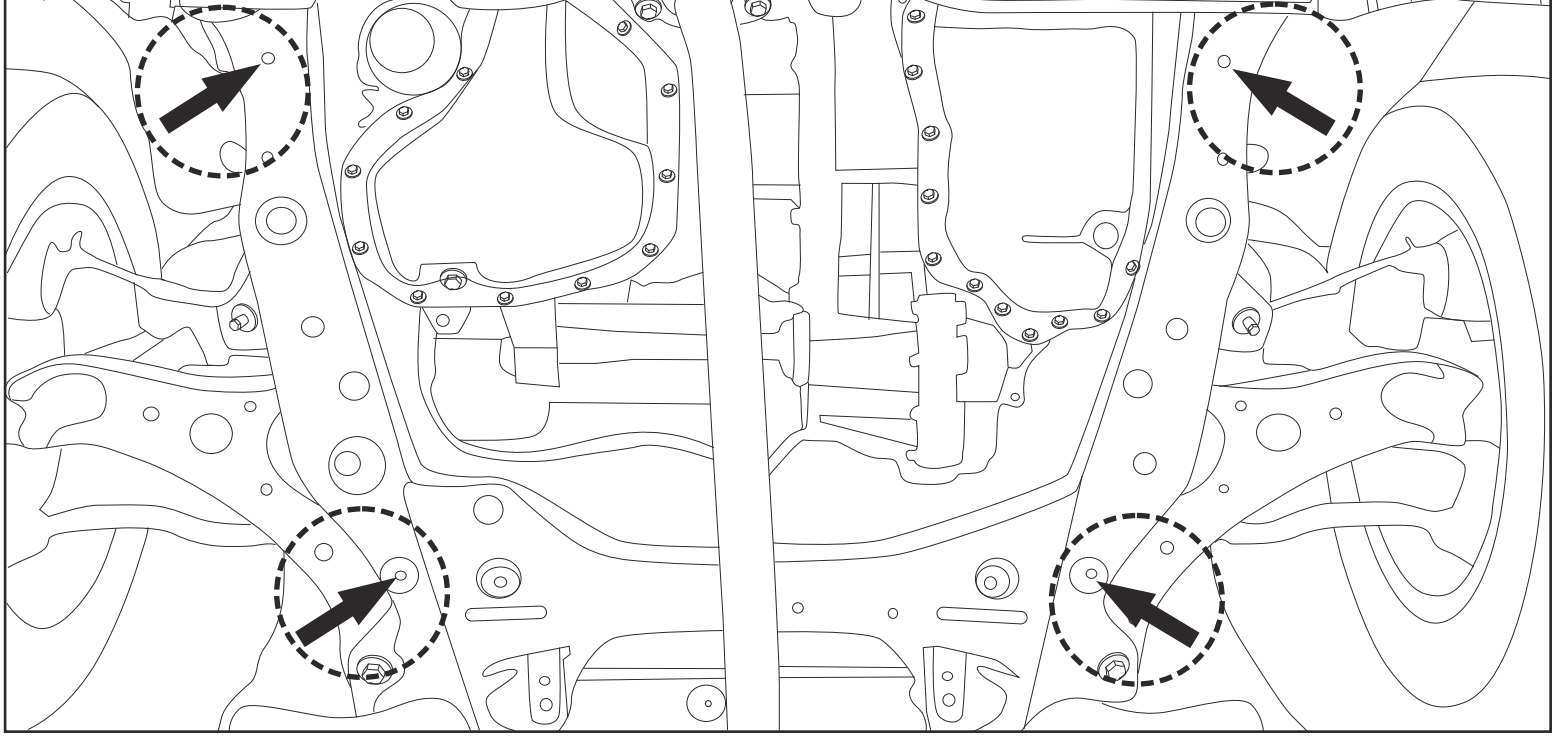
6 x Ø10



1

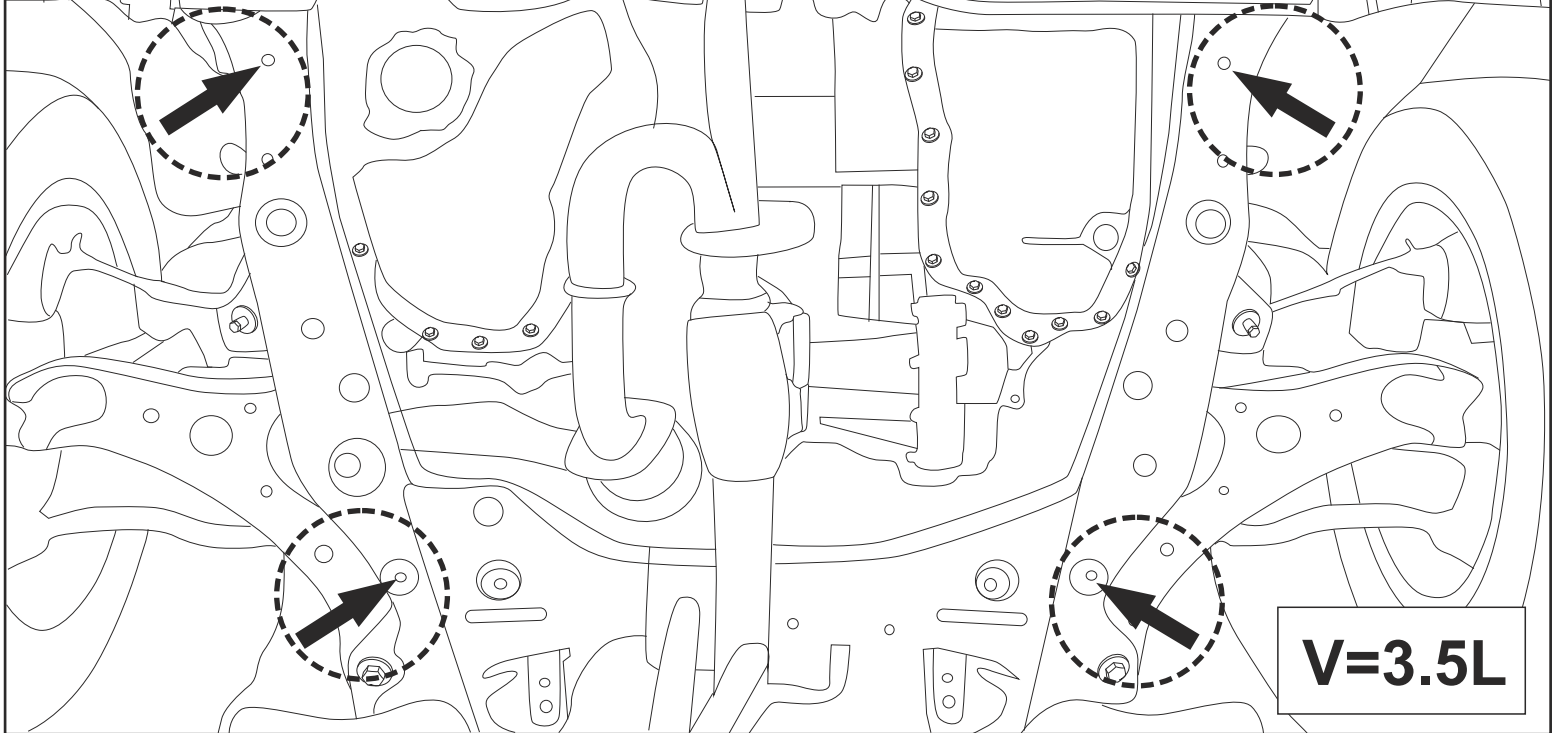
V=2.5L; 2.0L

FWD



1a

FWD



V=3.5L

Part number:

Issue:

Date:

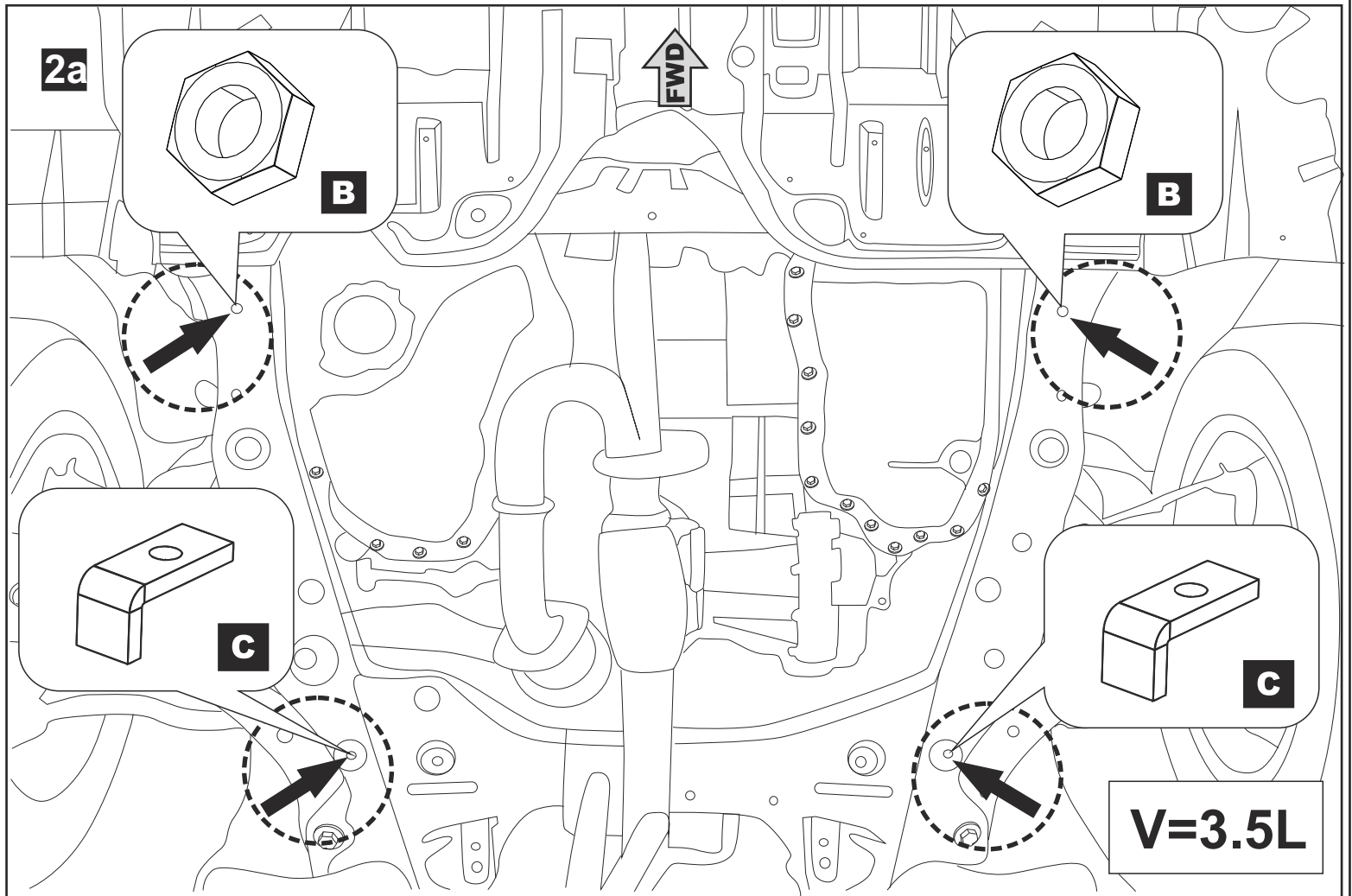
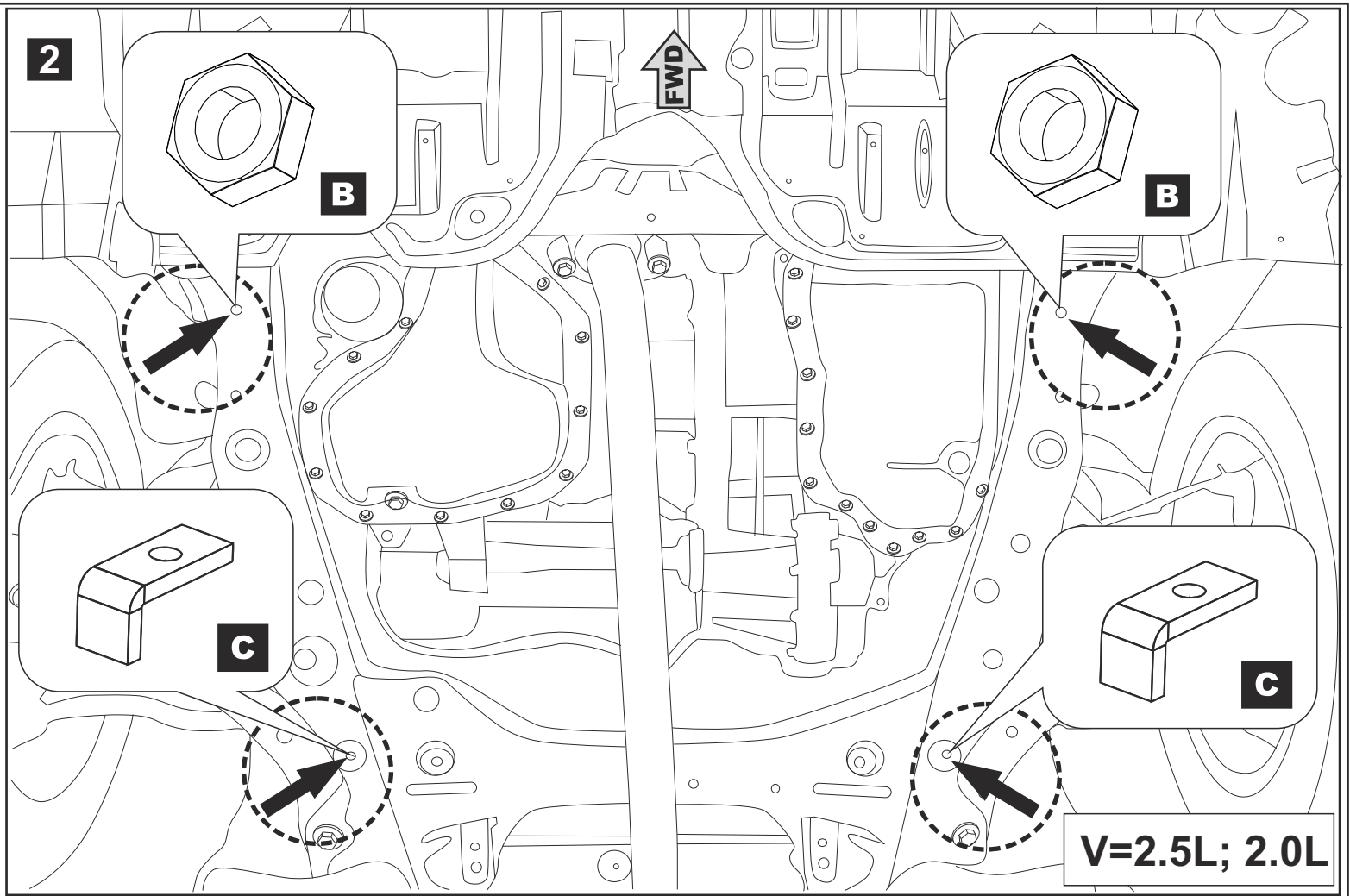
Page:

KZNG5-02123-00; KZNG5-02127-00

1

12/10/15

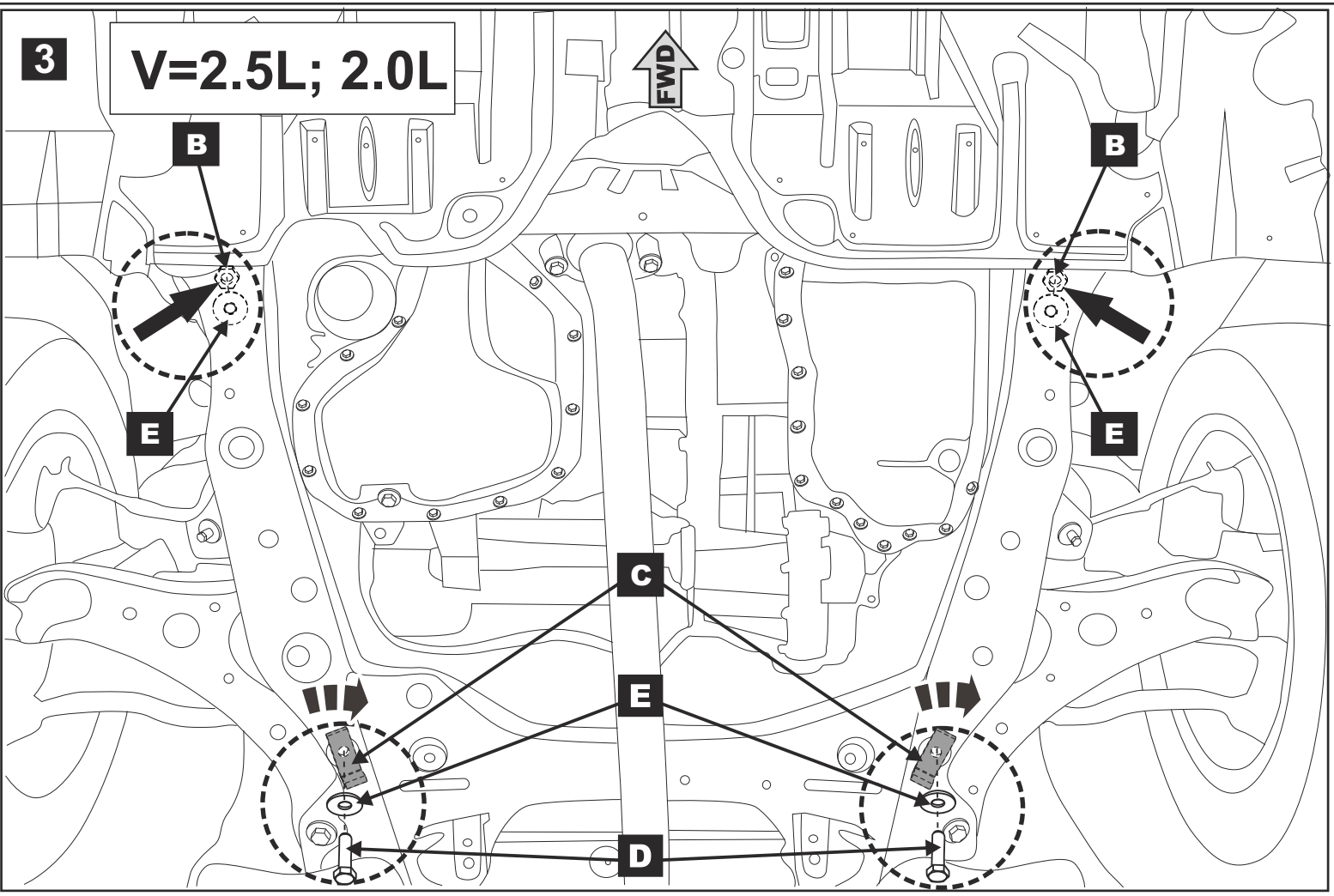
3/8



3

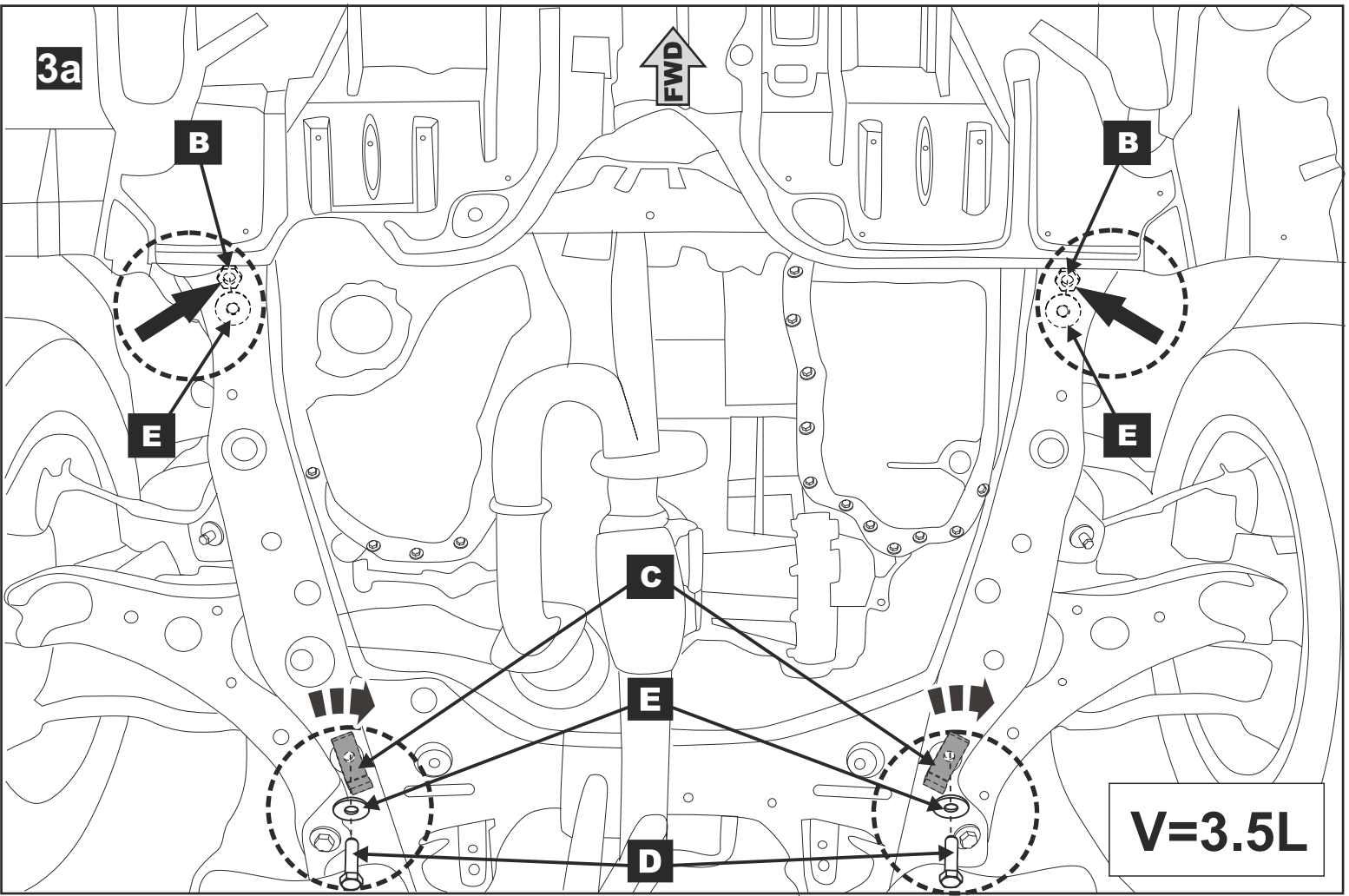
V=2.5L; 2.0L

FWD



3a

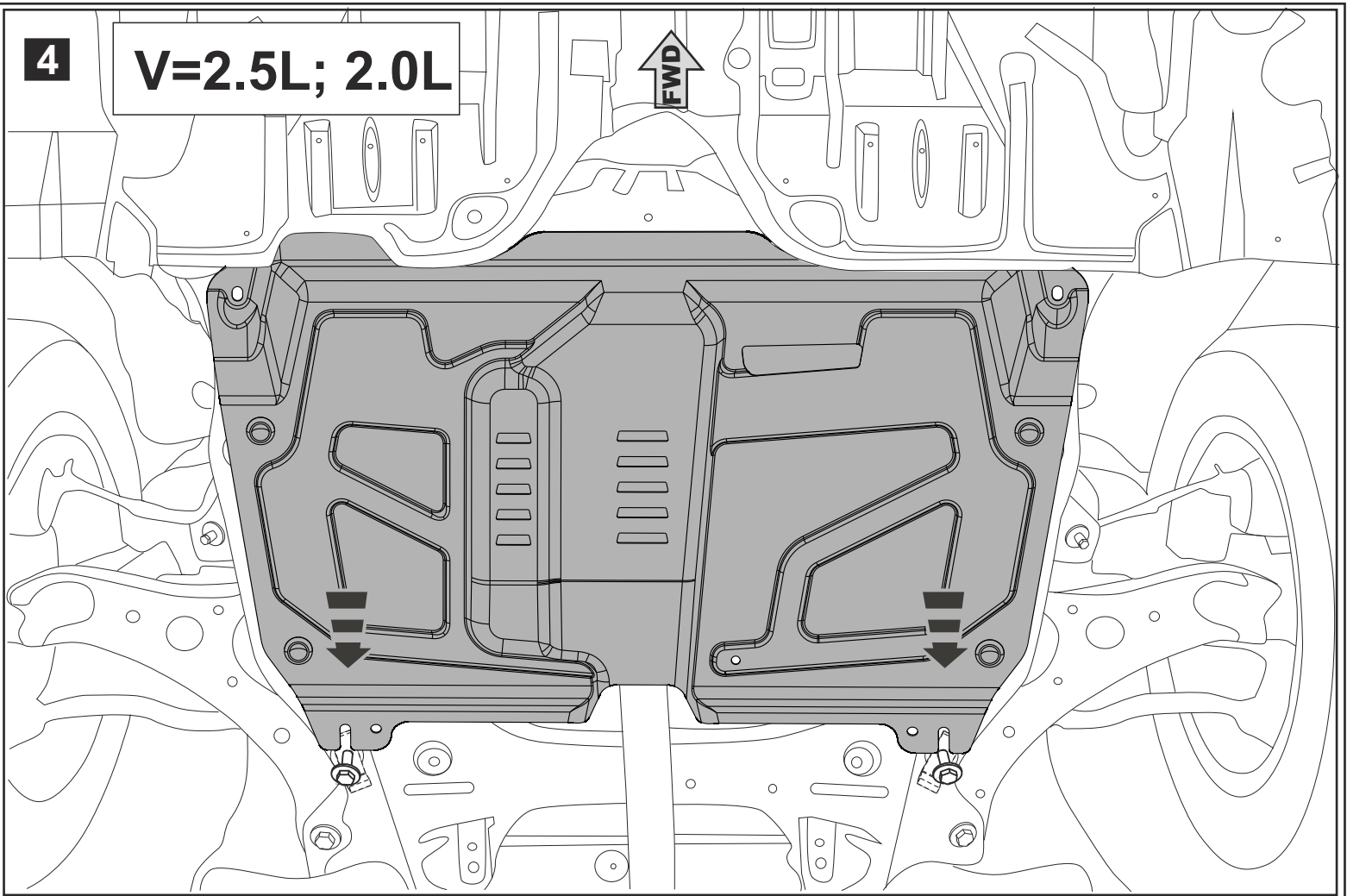
FWD



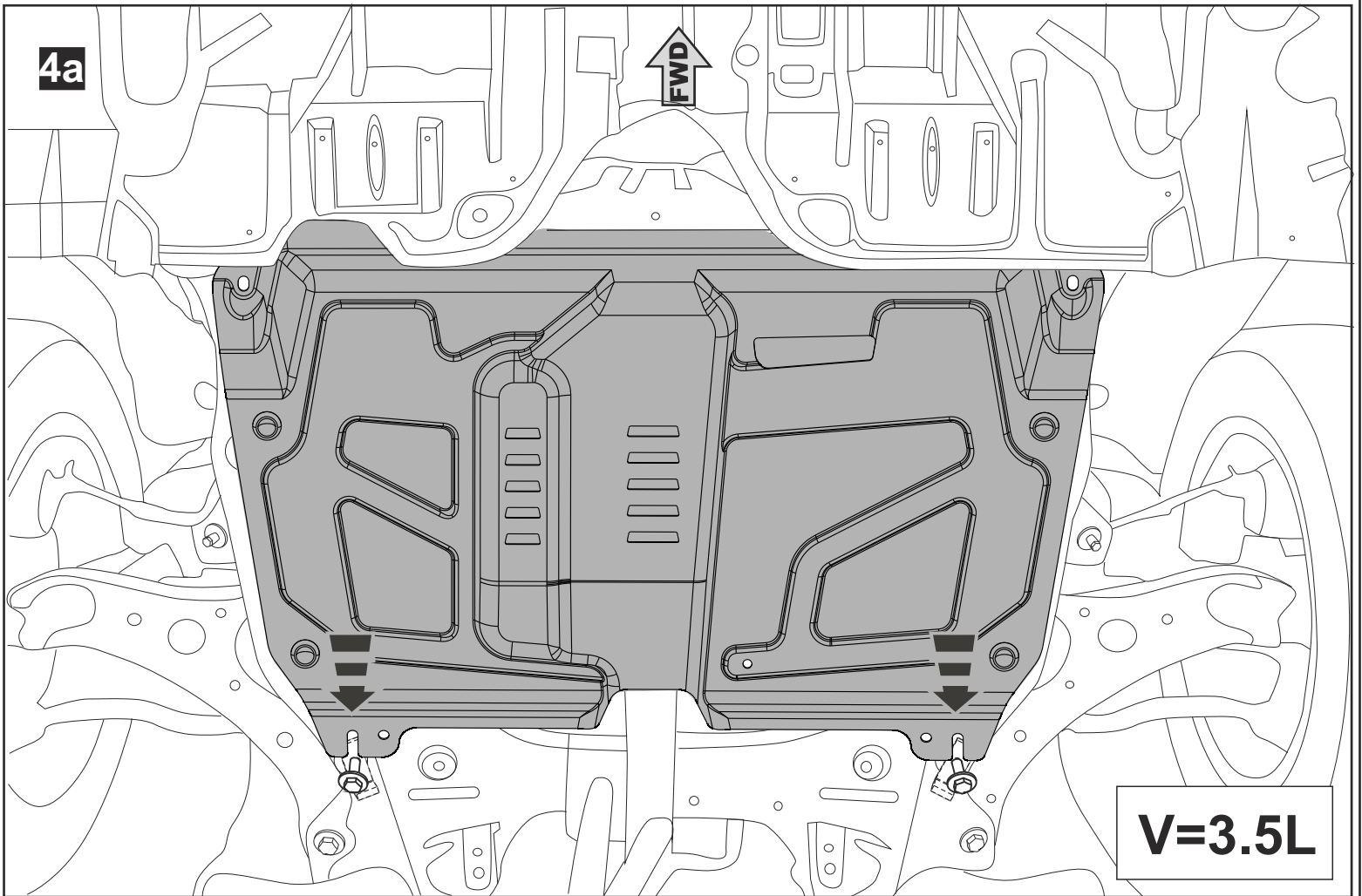
V=3.5L

4

V=2.5L; 2.0L



4a



V=3.5L

Part number:

KZNG5-02123-00; KZNG5-02127-00

Issue:

1

Date:

12/10/15

Page:

6/8

5

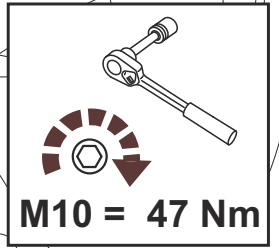
V=2.5L; 2.0L

FWD

B

E

D



5a

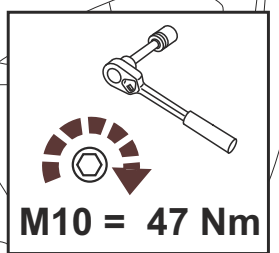
V=3.5L

FWD

B

E

D



Part number:

Issue:

Date:

Page:

KZNG5-02123-00; KZNG5-02127-00

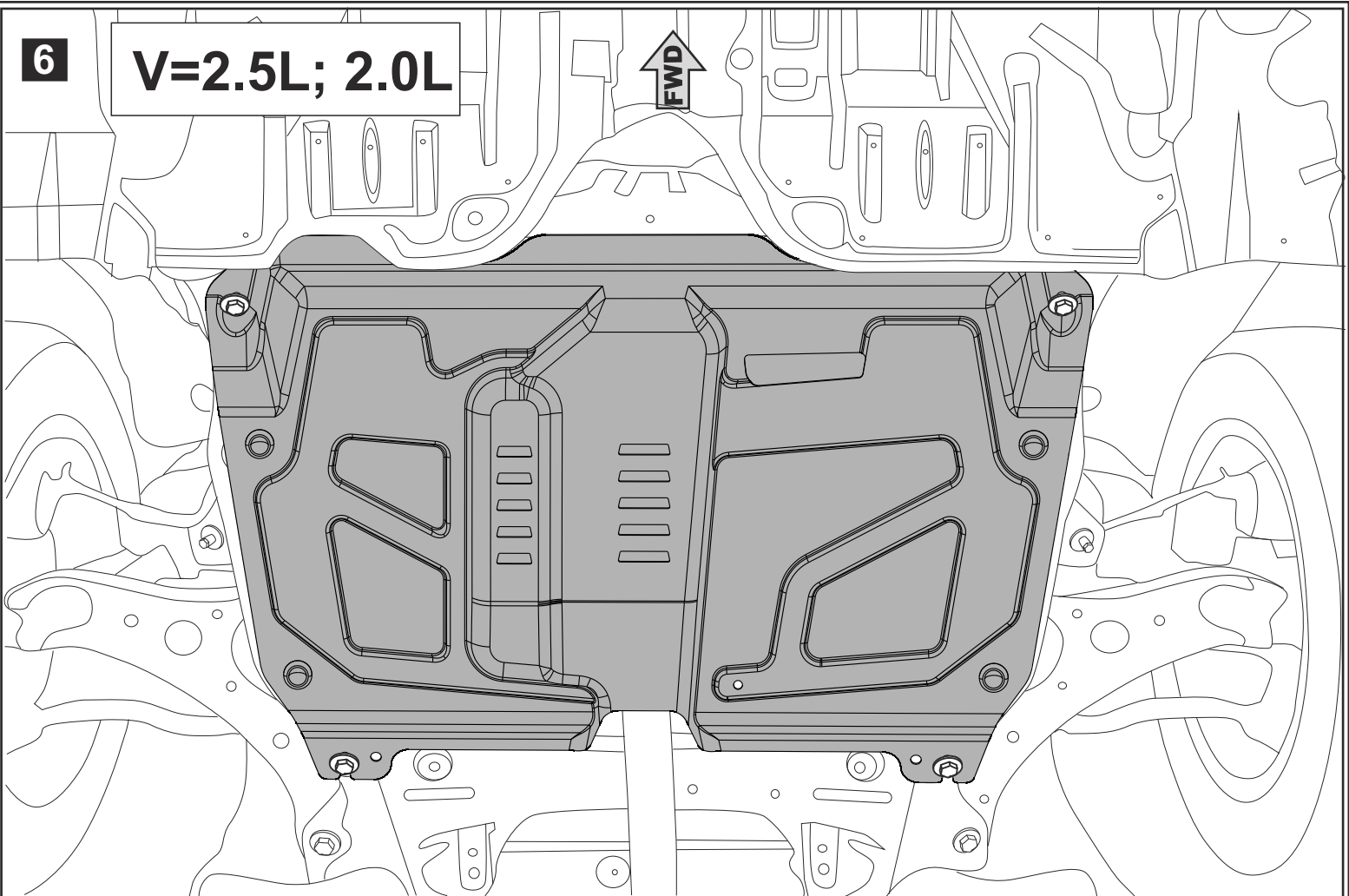
1

12/10/15

7/8

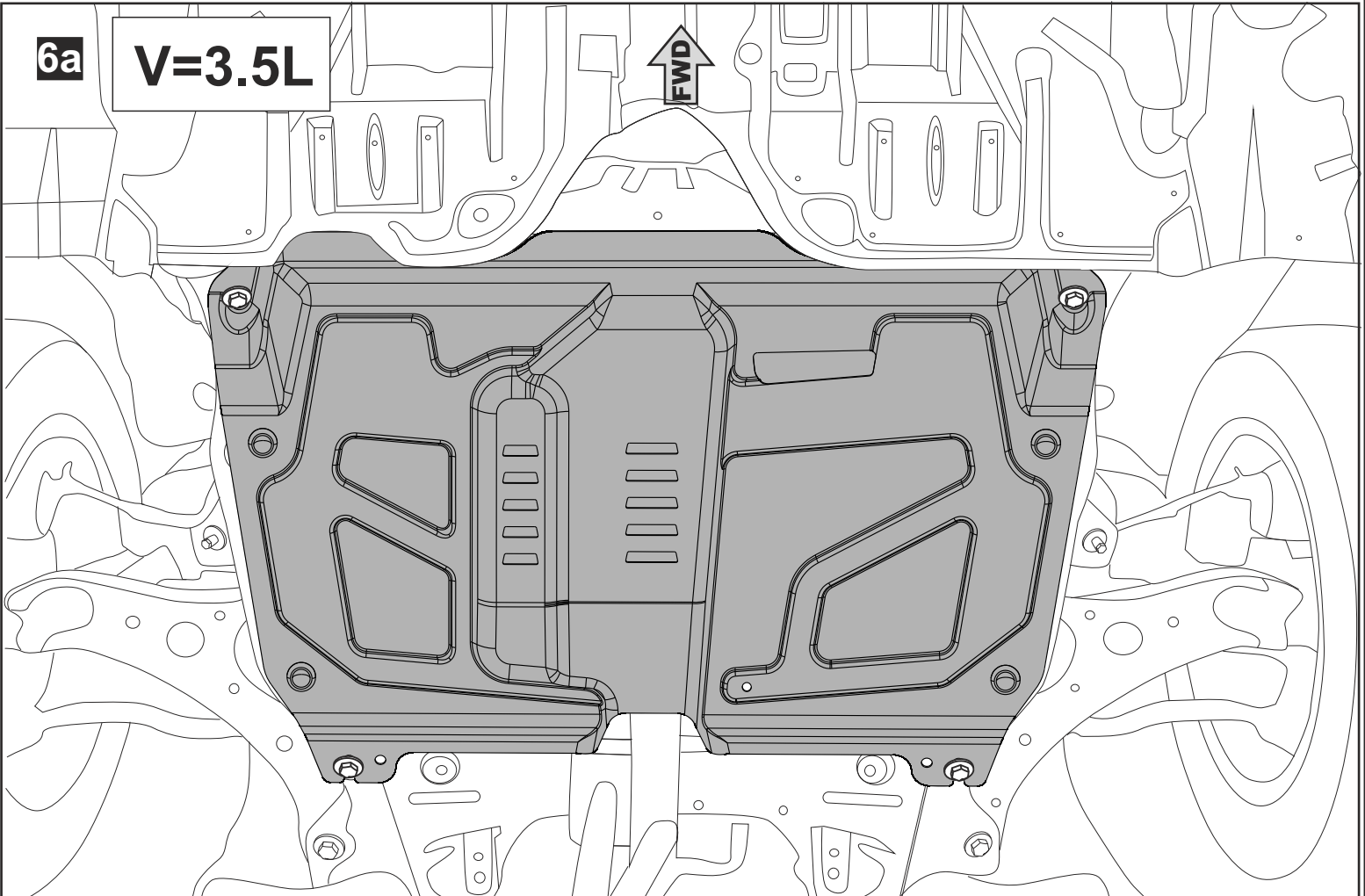
6

V=2.5L; 2.0L



6a

V=3.5L



Part number:

Issue:

Date:

Page:

KZNG5-02123-00; KZNG5-02127-00

1

12/10/15

8/8