



Installation instructions for PZ4AL- 01188- 00

Lexus LS 460, Lexus LS 460 L

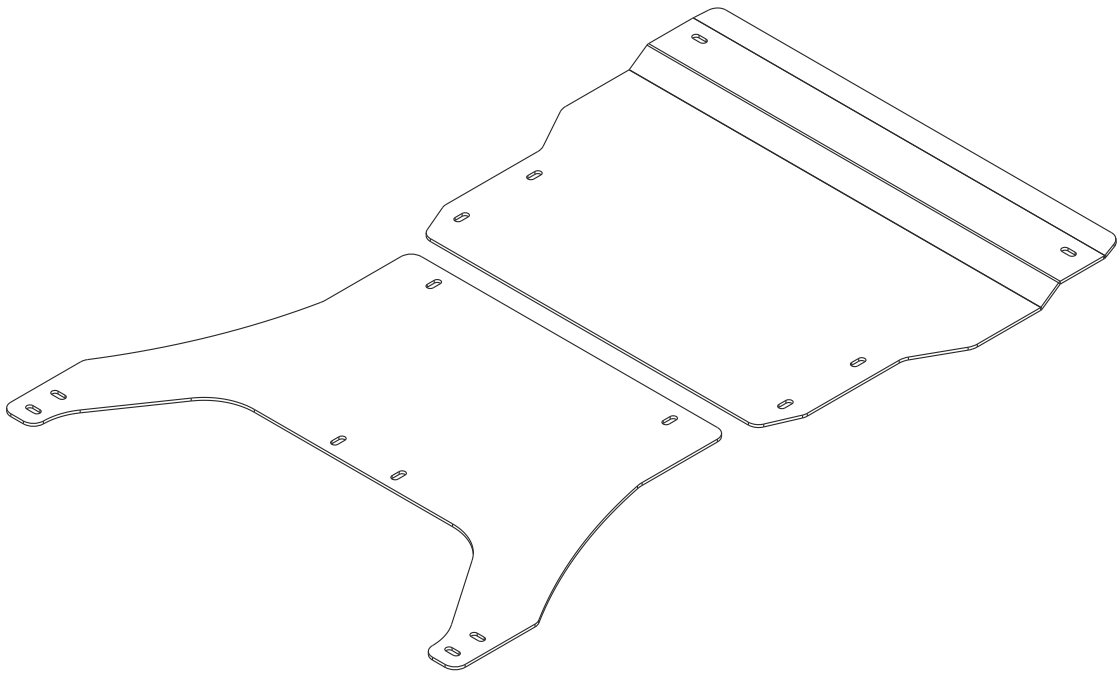
Under Run Protective Shield engine bay



Model Year:	LS 460 - 2009	LS 460L - 2009
Vehicle Code:	USF40L-AEZGHW	USF41L-AEZGHW
Part Number:	PZ4AL-01188-00	PZ4AL-01188-00
 Weight:	12.1 kg	12.1 kg
 Installation Time:	20 min	20 min
Manual reference number:	AIM 002 018	AIM 002 018

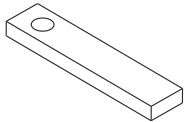
Part number: PZ4AL-01188-00

A



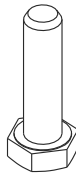
PZ4AL-01188-60

B



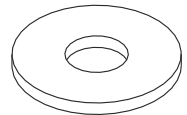
8 x SD 3007

C

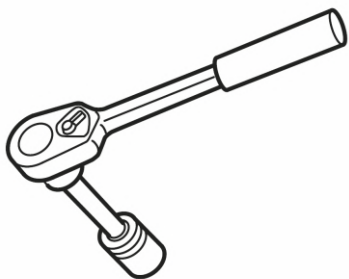


8 x M 8x30

D



8 x Ø 8



Part number:
PZ4AL-01188-00

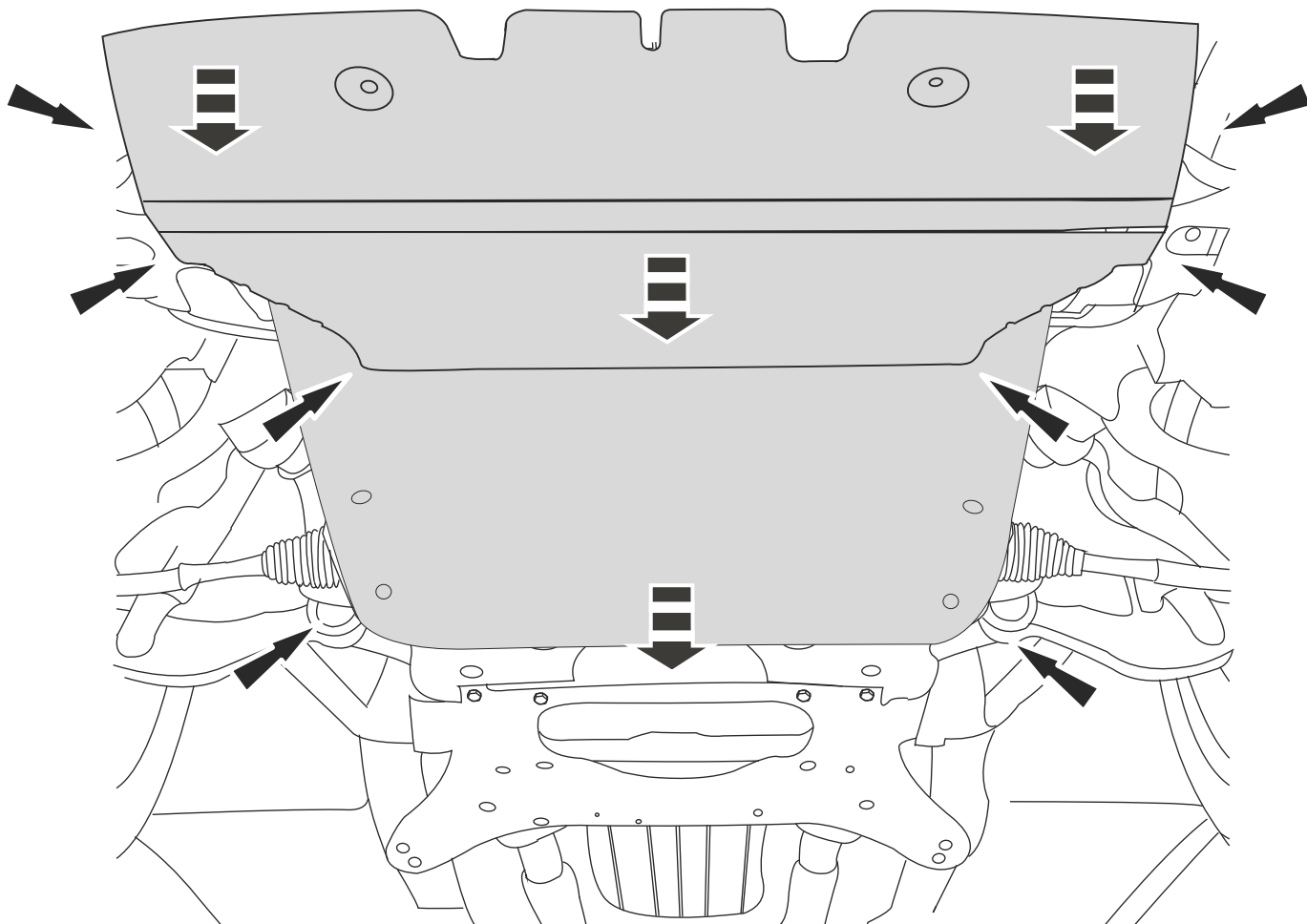
Issue:
0

Date:
24/02/09

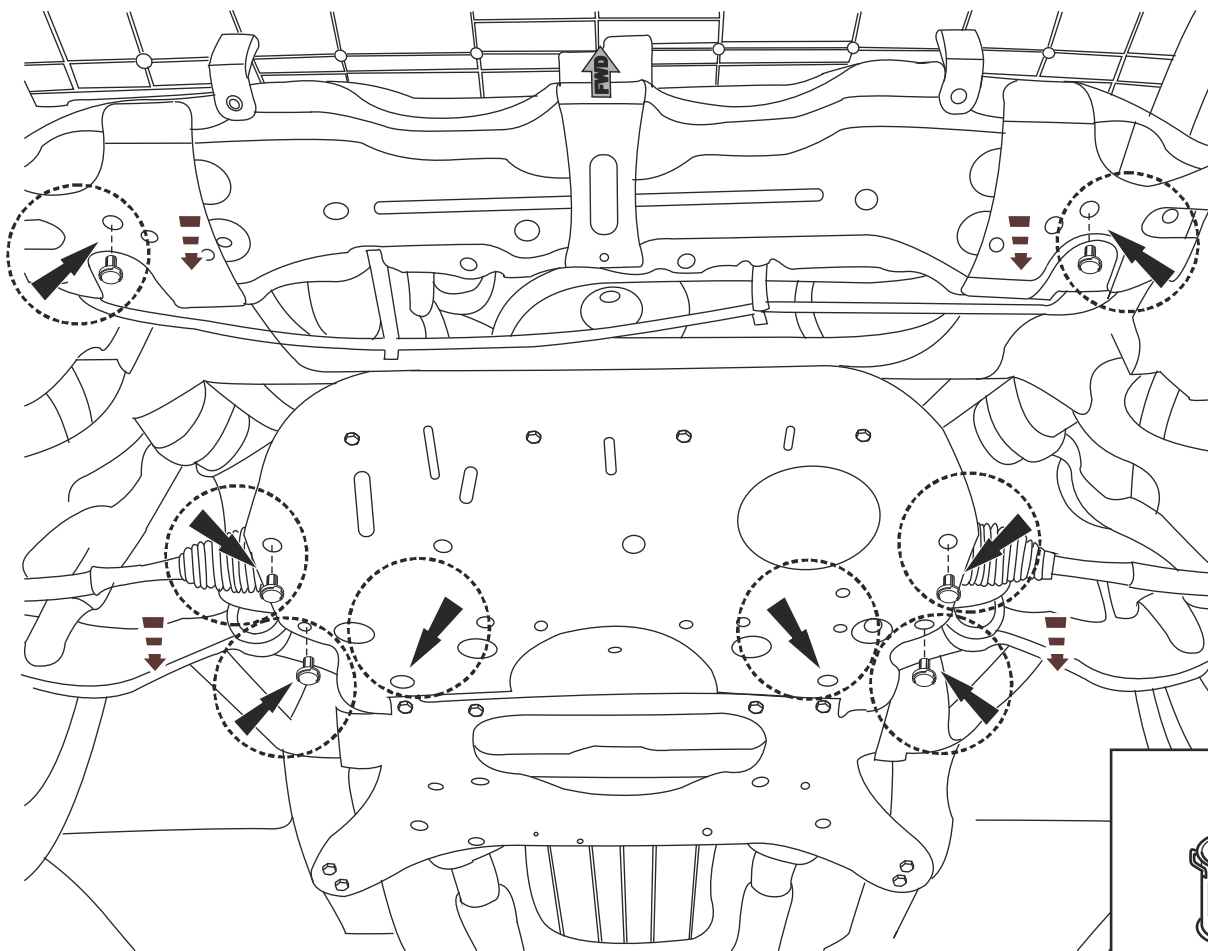
Manual reference number:
AIM 002 018

Page:
2/6

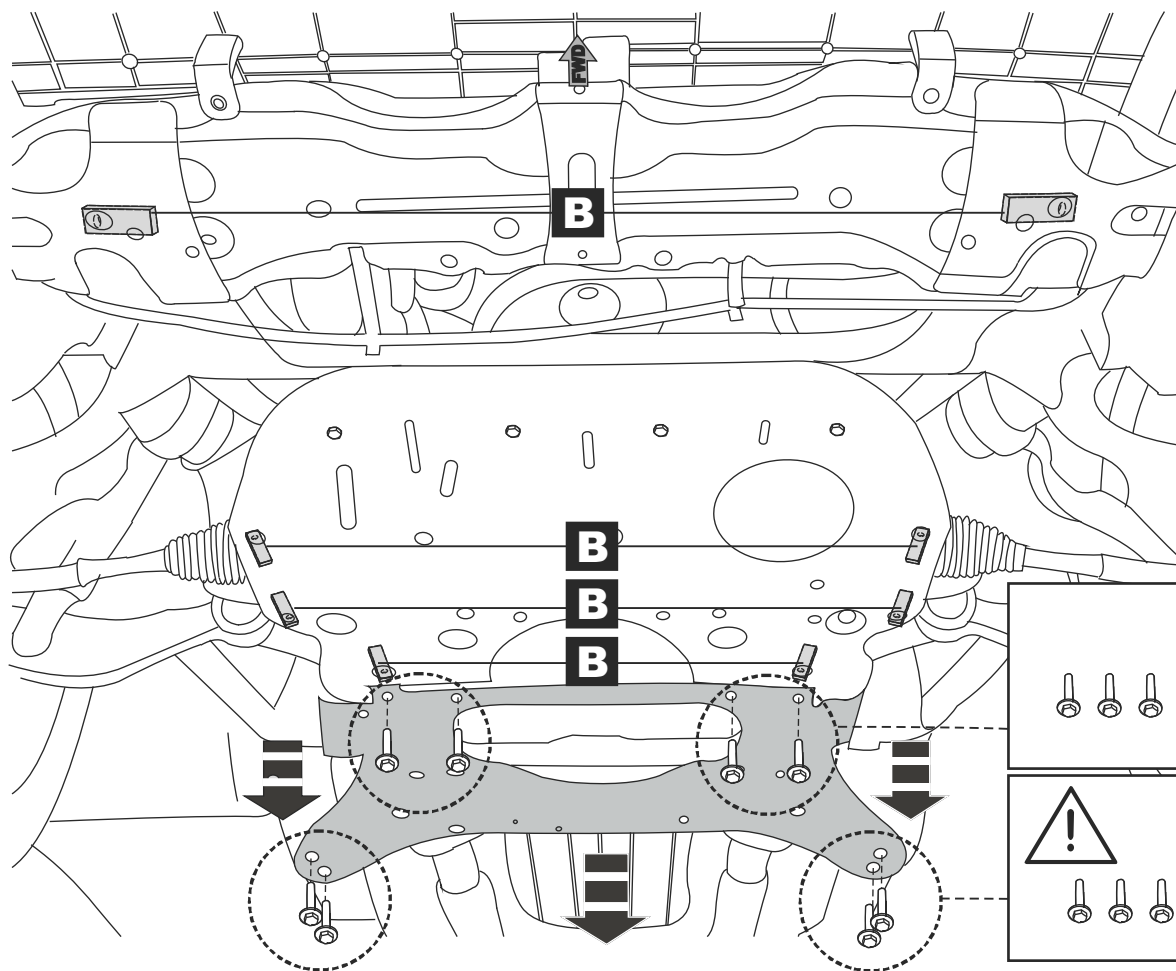
1



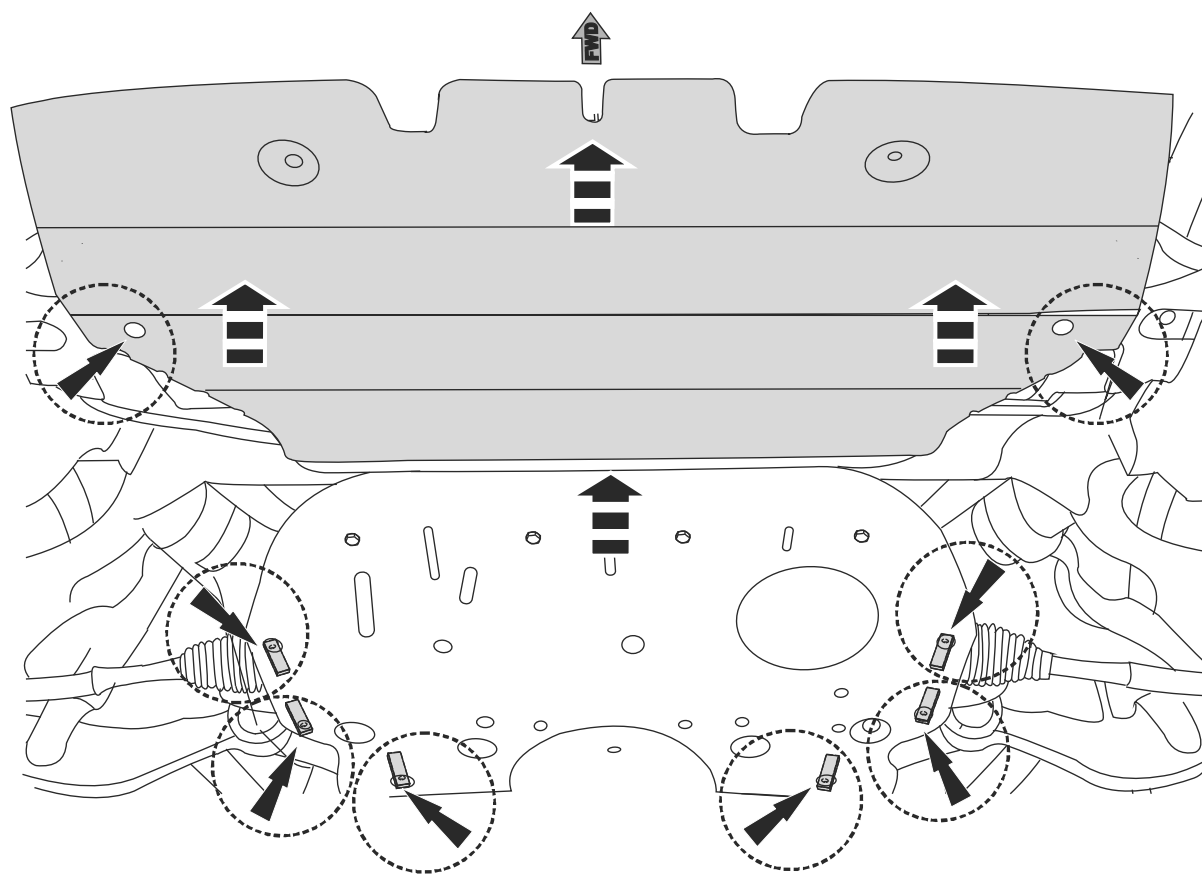
2



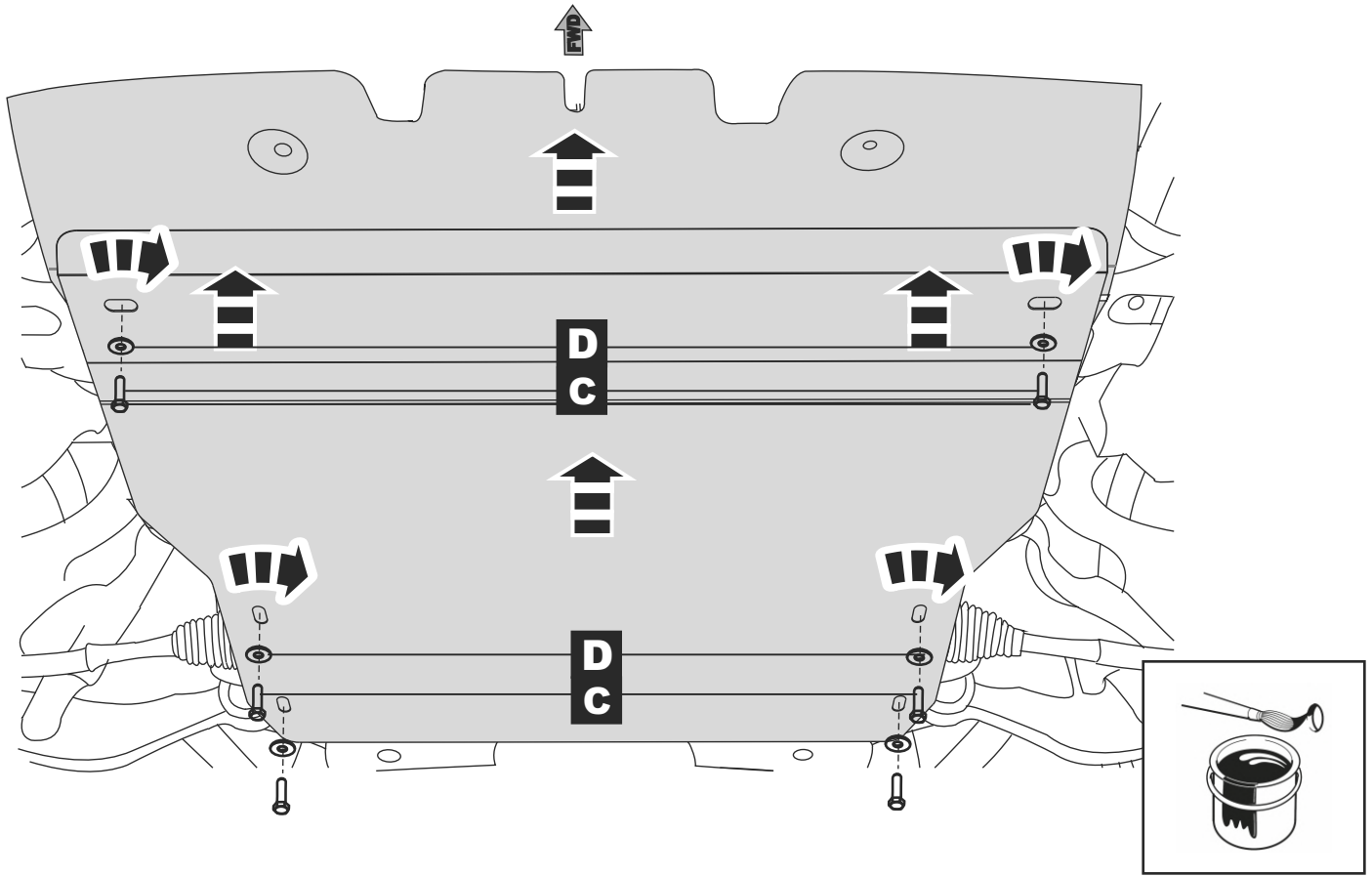
3



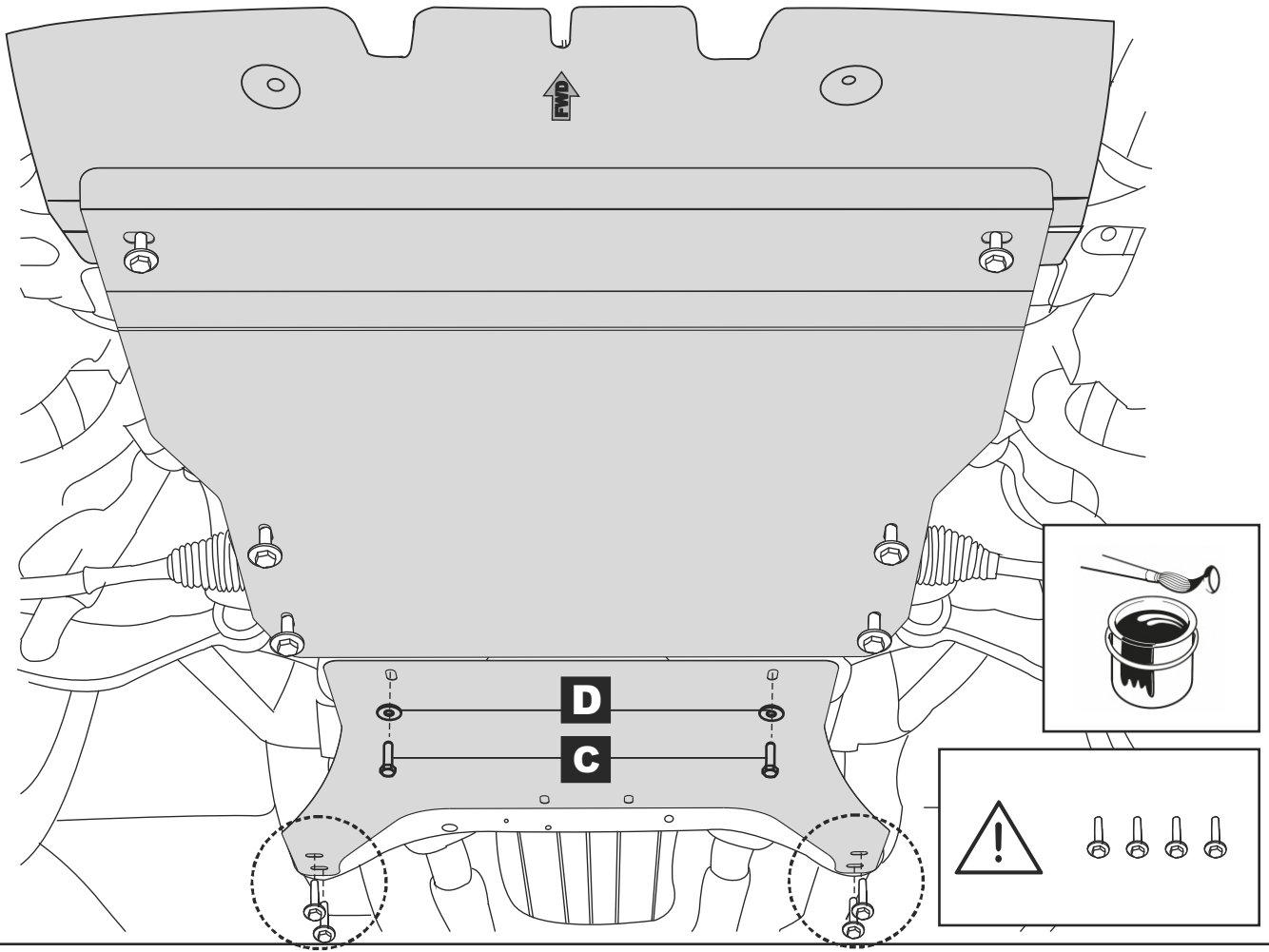
4



5



6



7

