

Installation instructions for KZNG5-01696-00  
Under Run Protective Shield Transmission Case

## LEXUS GX



## TOYOTA LC



Model Year: GX 460 - 2009 - 2013 -

LC 150 Diesel -  
2009 - 2013 - 2015 -

LC 150 Petrol - 2009 - 2013 -

Vehicle Code URJ150L-GKTZKW

KDJ150L-GKAEYW

GRJ150L-GKAEKW

Part Number

KZNG5-01696-00



Weight

7,43 kg



Installation Time

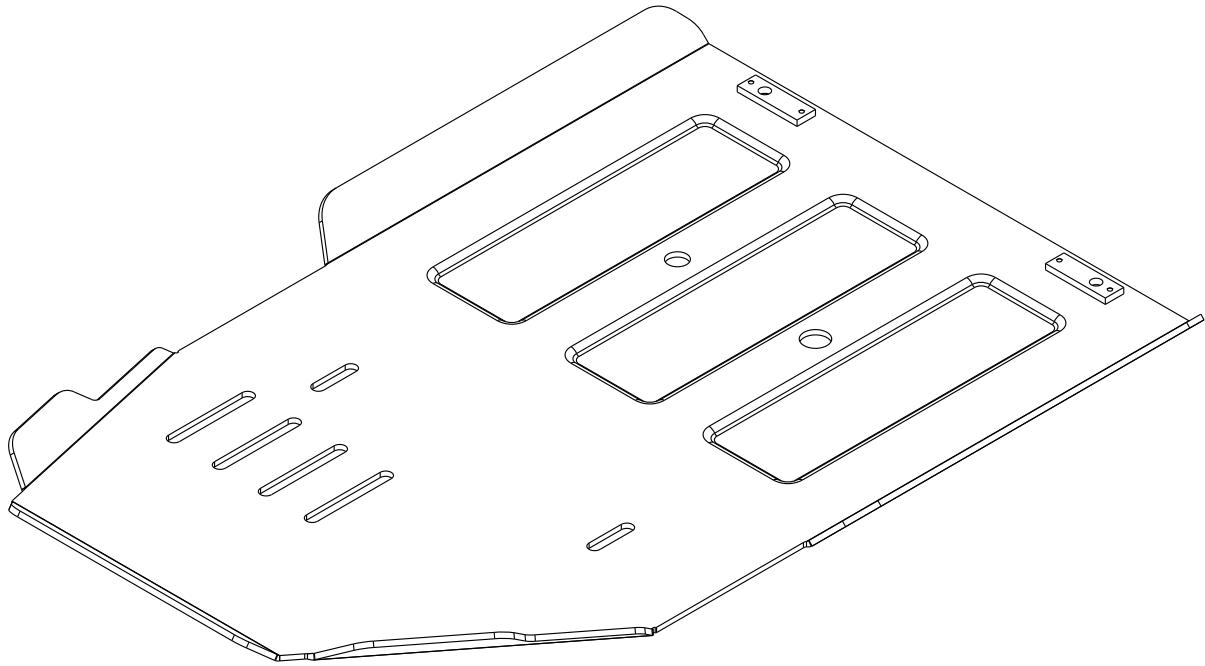
10 min

Manual reference number

AIM 001-930-0

KZNG5-01696-00

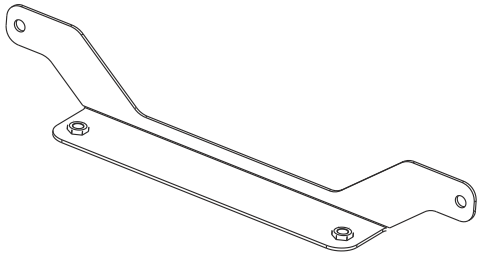
**A**



1x

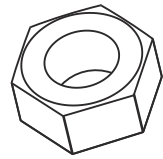
KZNG5-01696-60

**B**



1x

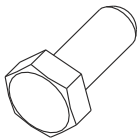
**C**



M10

2x

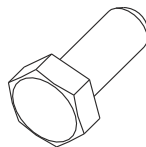
**D1**



M10x30

4x

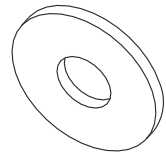
**D2**



M10x110

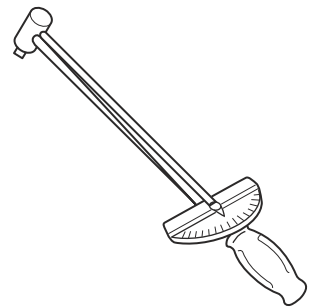
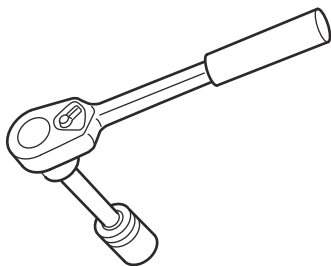
2x

**E**

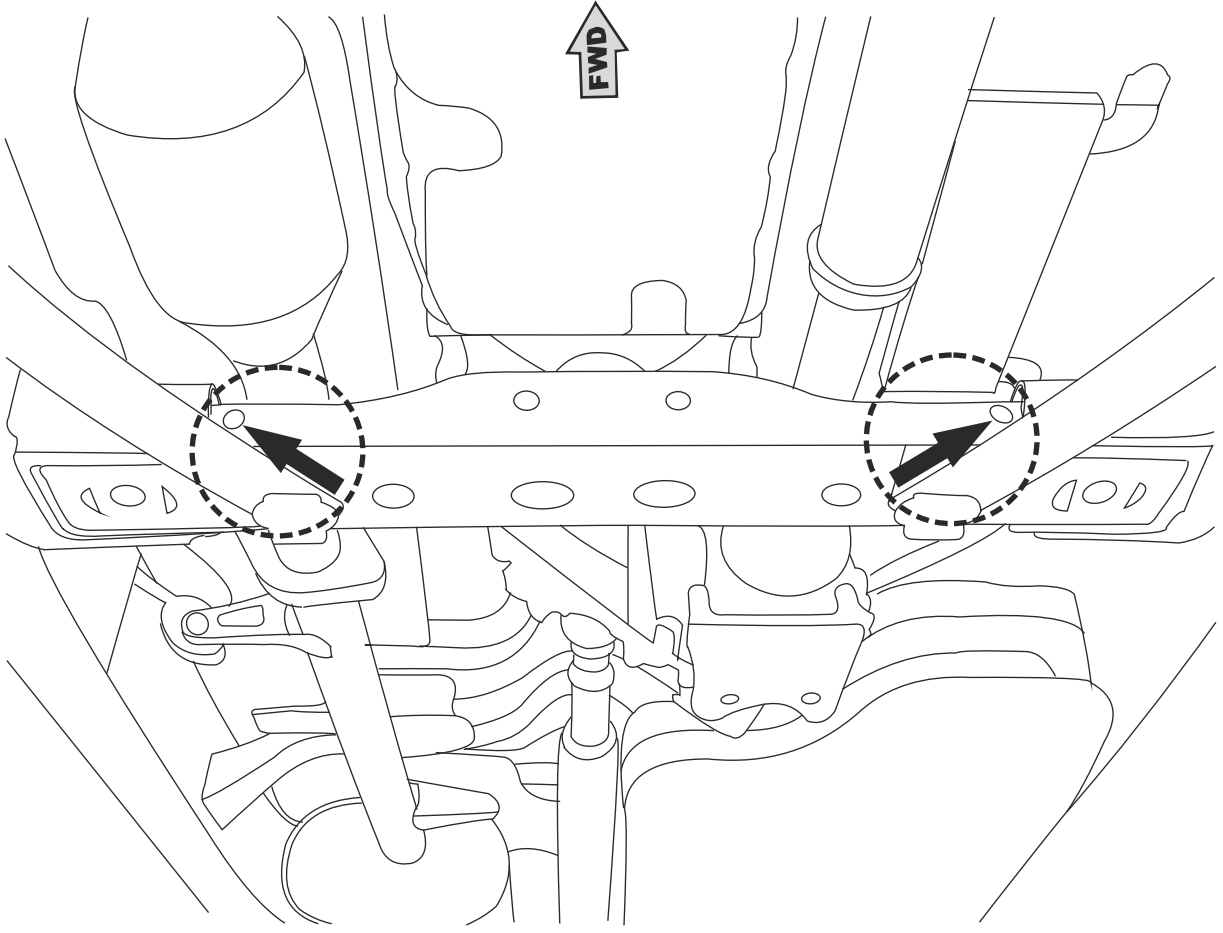


Ø10

8x



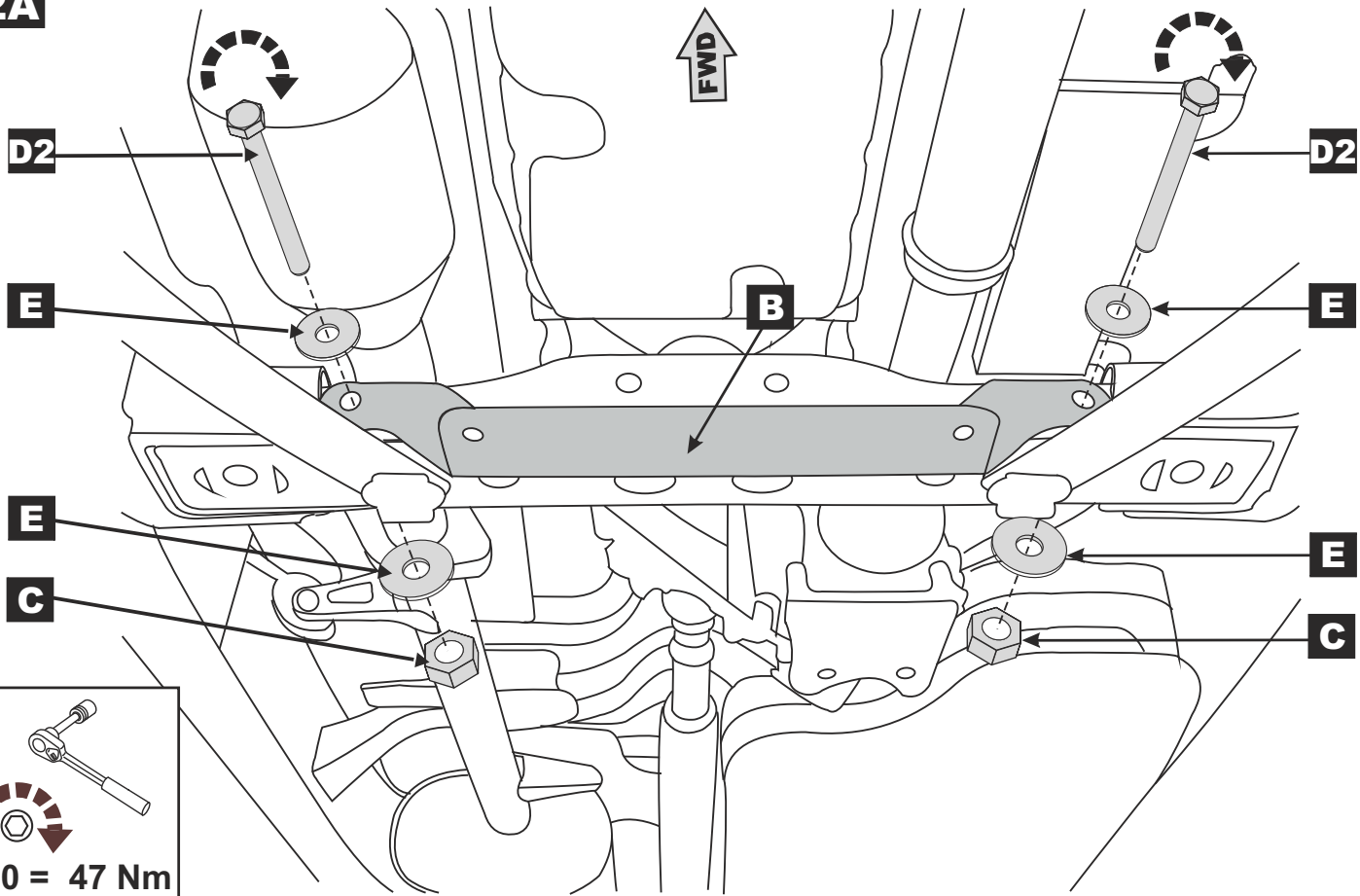
**1**

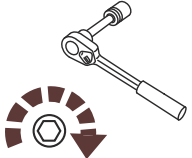


**2A**

**LEXUS GX 460**

**Toyota Land Cruiser 150 Diesel**

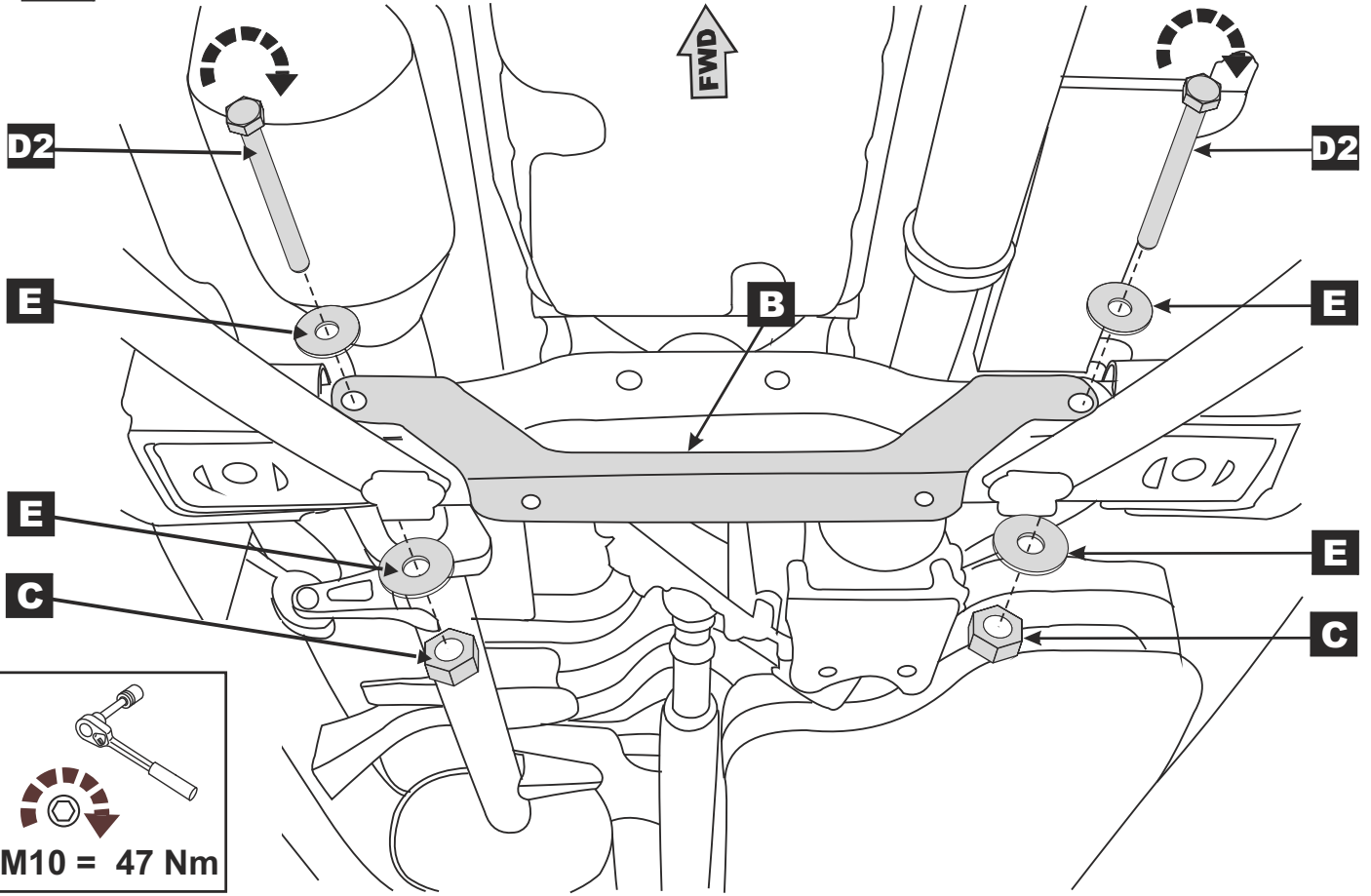


  
**M10 = 47 Nm**

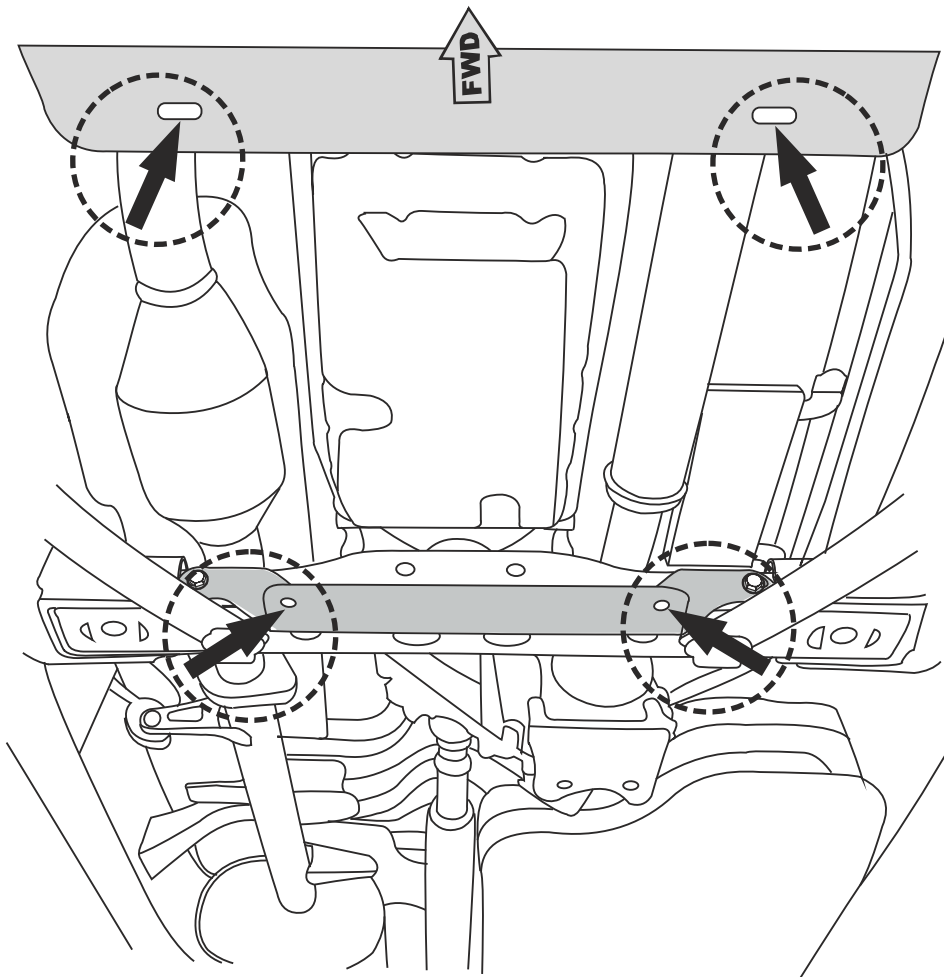
Part number: KZNG5-01696-00	Issue: 0	Date: 06/11/13	Manual reference number: AIM 001-930-0	Page: 3/5
--------------------------------	-------------	-------------------	---	--------------

**2B**

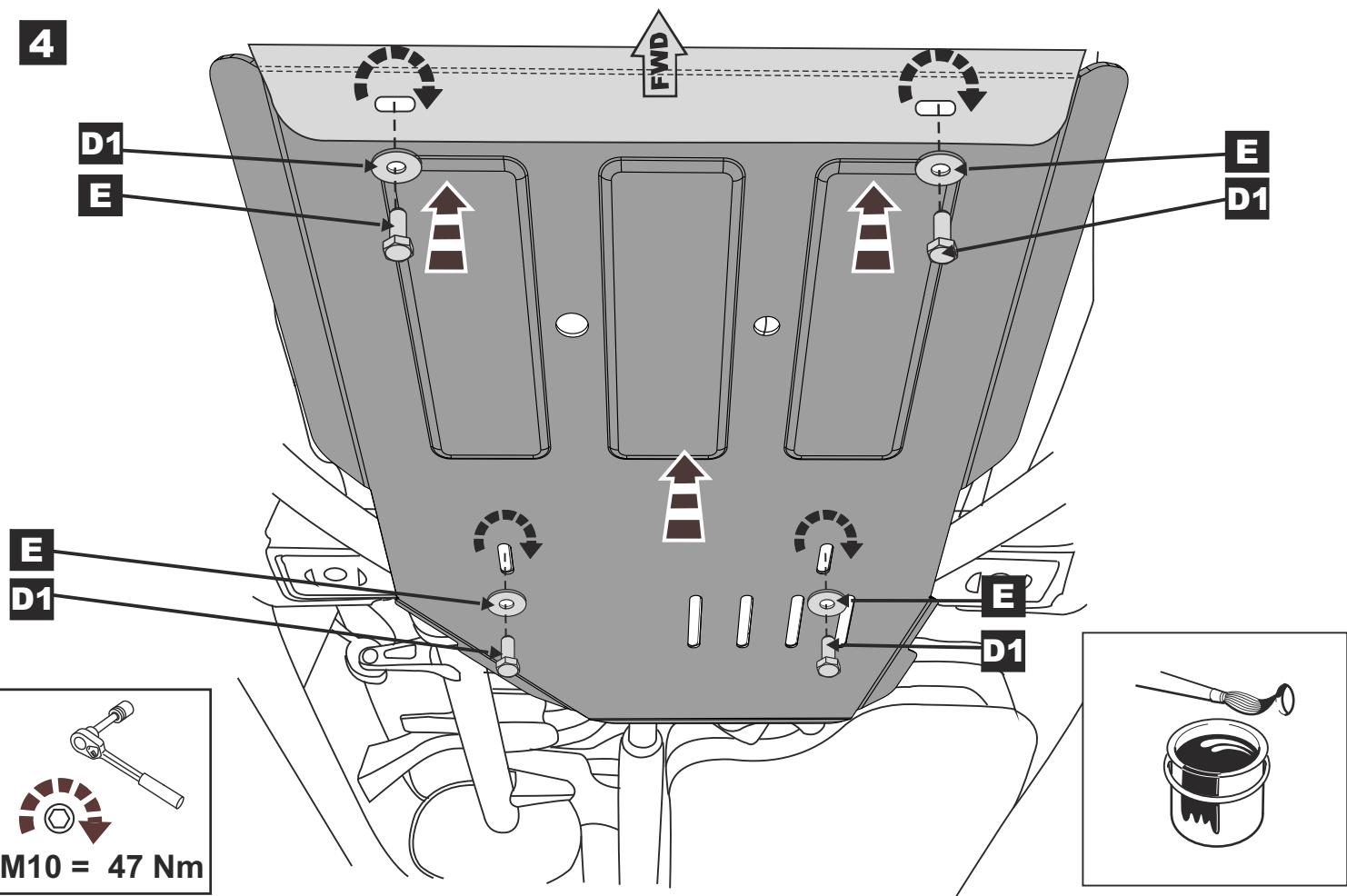
# Toyota Land Cruiser 150 Petrol



**3**



**4**



**5**

