

Installation instructions for KZNG5-03832-00, KZNG5-03833-00
Under Run Protective Shield FUEL TANK

TOYOTA LAND CRUISER 300



ModelYear

LAND CRUISER 2021-

Applicability:

CRUISER 3,5 AT 4WD

PartNumber

Steel: KZNG5-03832-00
Aluminium: KZNG5-03833-00



Weight

Steel: 18,67 kg
Aluminium: 11,58 kg

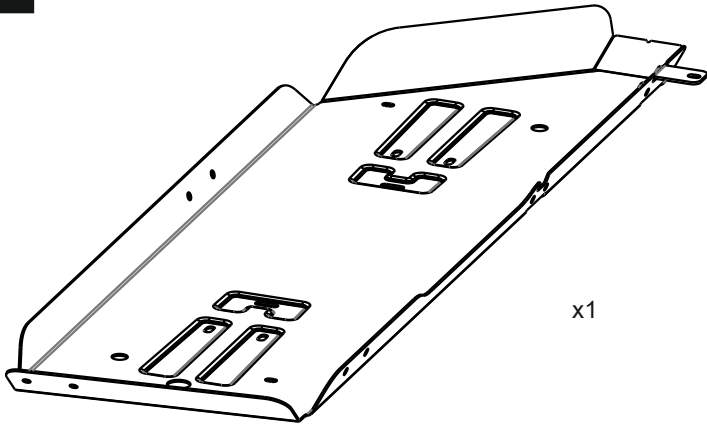


InstallationTime

30 min

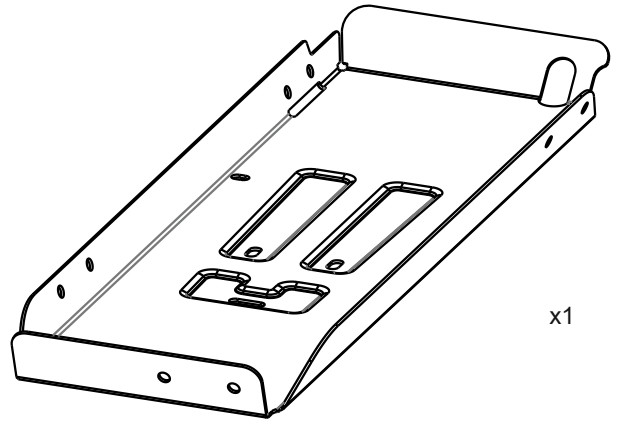
KZNG5-03832-00, KZNG5-03833-00

A1



x1

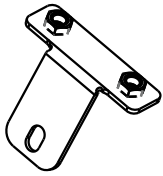
A2



x1

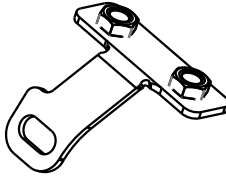
KZNG5-03832-60

B1



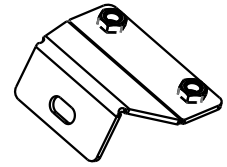
x1

B2



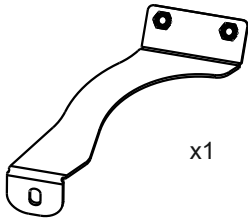
x1

B3



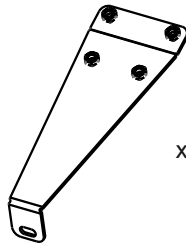
x1

B4



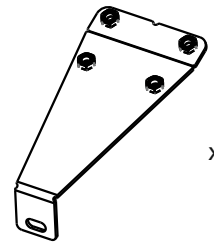
x1

B5



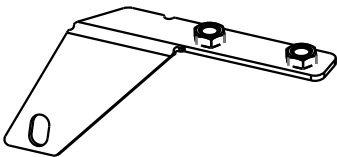
x1

B6



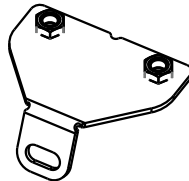
x1

B7



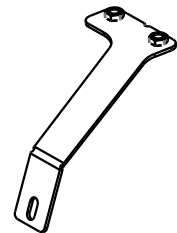
x1

B8



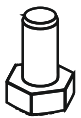
x1

B9



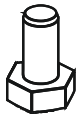
x1

C1



x18 M8x16

C2



x9 M8x20

D1



x9 Ø 8

D2

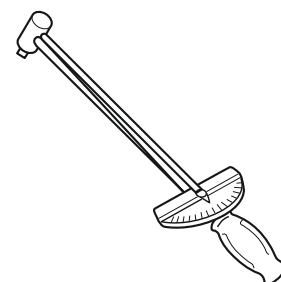
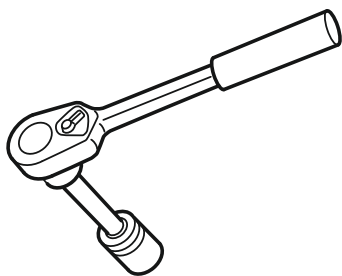


x18 Ø 8

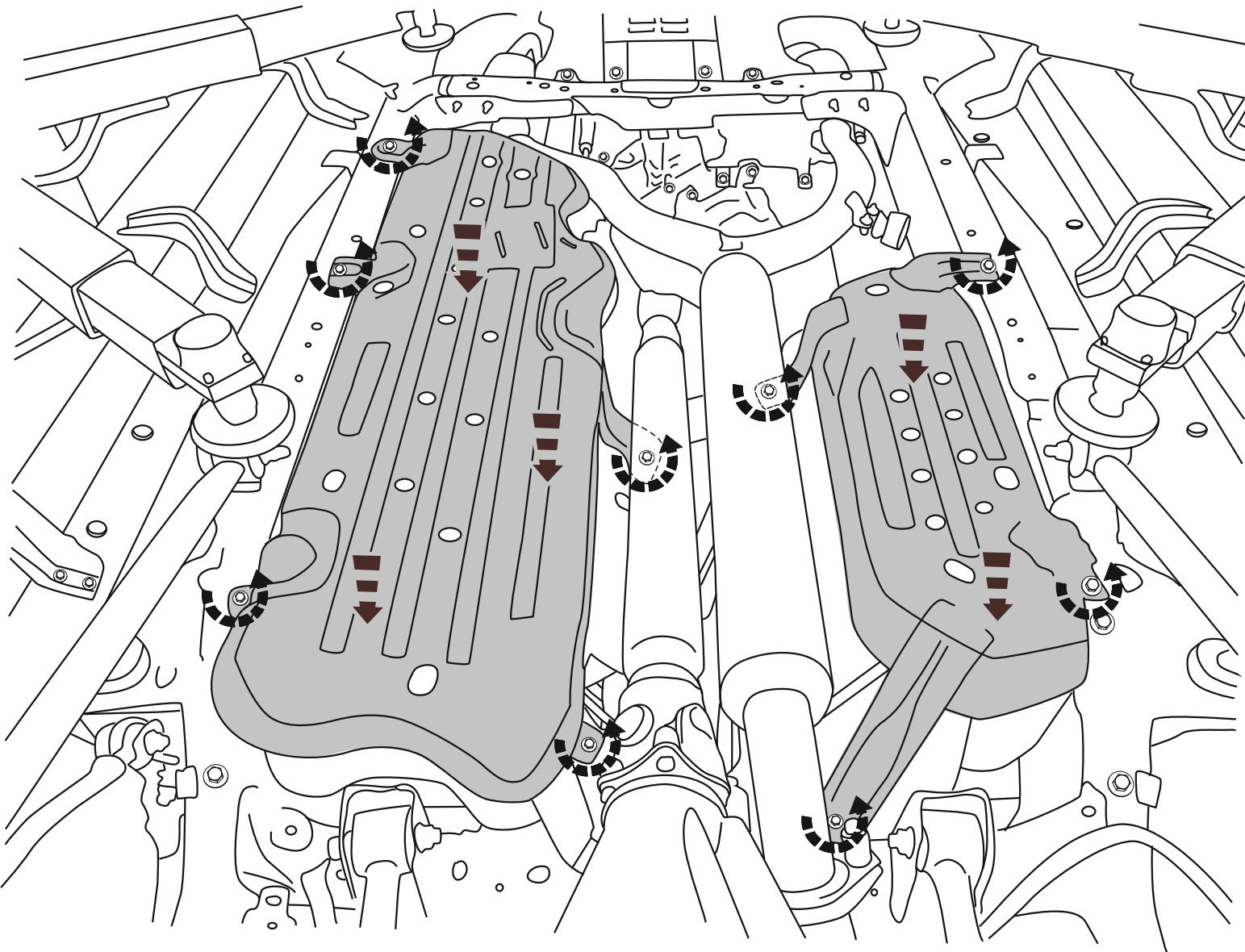
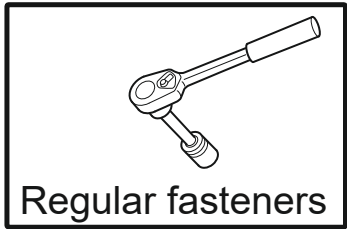
E



x27 Ø 8






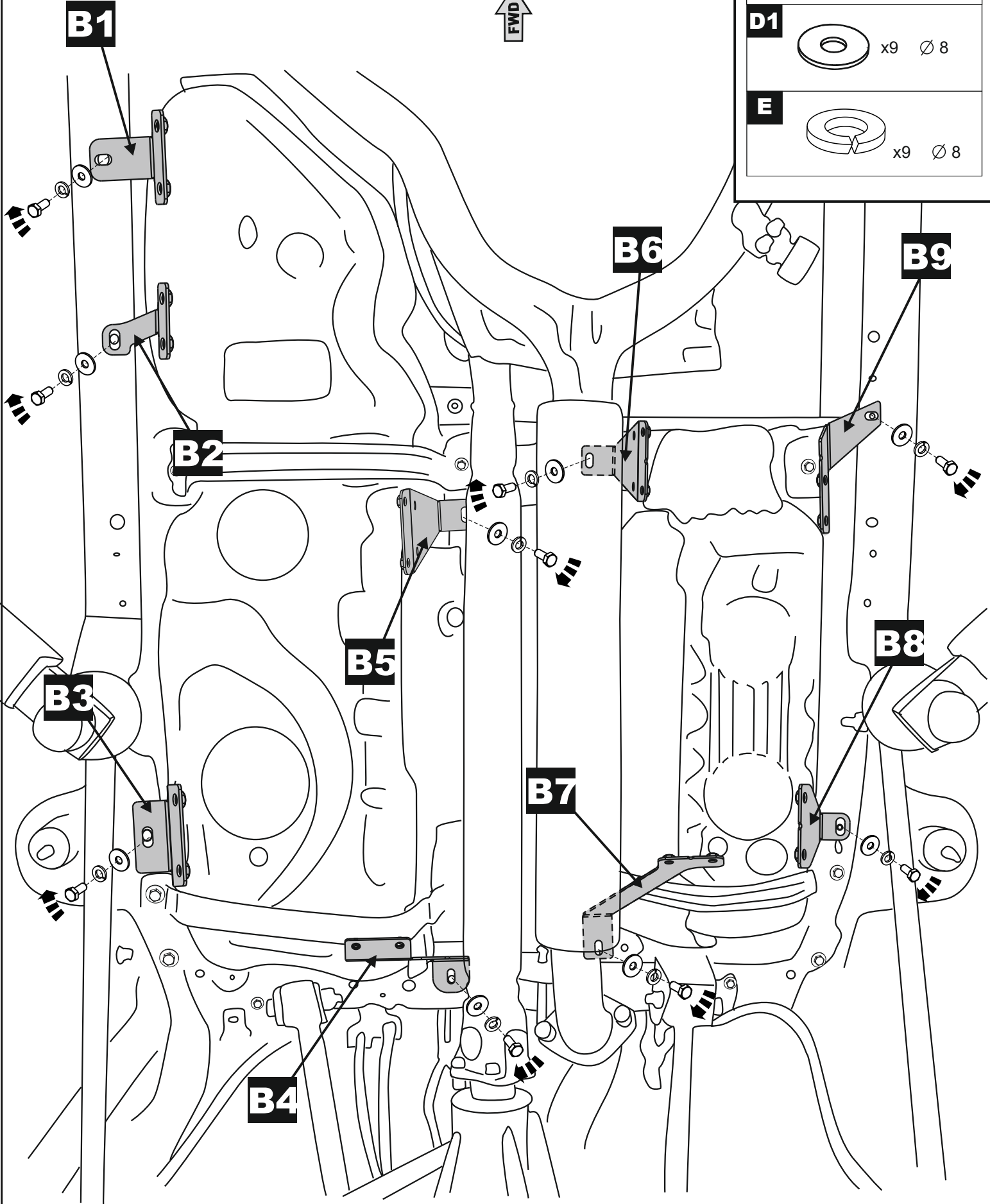
1



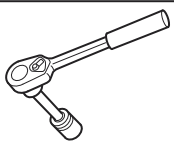
2



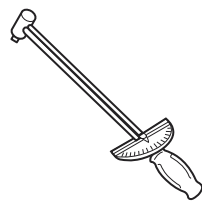
C2		x9 M8x20
D1		x9 Ø 8
E		x9 Ø 8



3



13 mm



24 Nm



C1



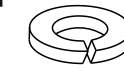
x18 M8x16

D2



x18 Ø 8

E



x18 Ø 8

A1

A2

